



Features

- Open system with 486 processor
- Windows® CE embedded operating system
- Integrated web server
- Web-based HMI-SCADA software, Advantech Studio, runtime built in
- Over 20 PLC I/O drivers pre-installed
- OPC device connection supported
- Reliable CompactFlash™ storage device
- 1 x 10/100 Base-T ethernet communication
- 3 x RS-232/422/485 ports

Introduction

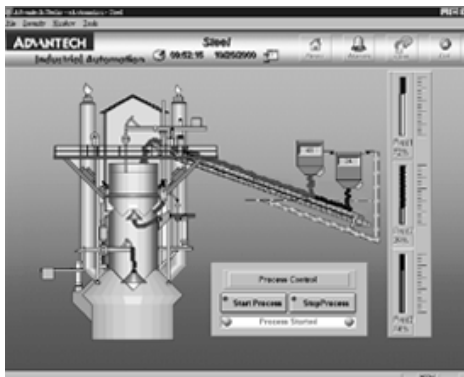
The WebLink-2040/SDA is an embedded web server that connects your machine, process, or sensor to the Internet/ Intranet. WebLink-2040/SDA can be the best, complete solution to secure access to real time data, and it allows you to monitor and control your device or system from a PC anywhere on the network or Internet.

Integrated Web Server Technology

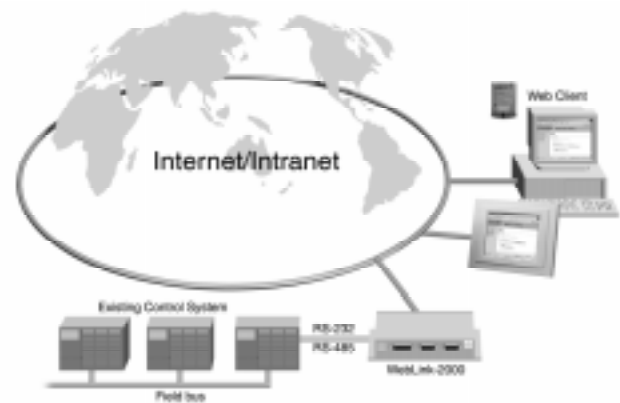
Use the power of the WebLink's integrated web server software and Ethernet port to bridge the gap between your PLC data and the Internet! Create simple or complex web pages with Advantech Studio development tools that can be viewed anywhere in the world via a PC running a standard web browser.

Powerful, Flexible, State-of-the-Art Graphics Based HMI

Advantech Studio gives you the capability to quickly and efficiently create user-friendly web-based operator screens by leading windows ActiveX technology. Through web technology, publish real-time dynamic and animated graphic screens, trends, alarms, reports and recipes to standard browsers at anytime, anywhere.



Advantech Studio software creates interactive data pages



Well-integrated built-in Drivers

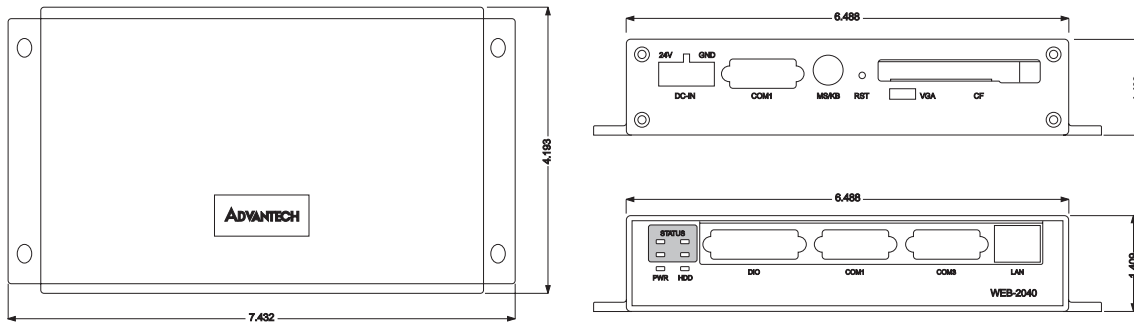
WebLink is configured with over 20 pre-built PLC I/O drivers to connect various controllers for different applications regardless of the I/O manufacturer. Seamless data access between HMI and PLC programs is accessible through WebLink's OPC technology.

Applications

- Factory Automation
- Building Automation
- Water & Wastewater
- Remote Utility Monitoring
- Internal Environment Monitoring

Dimensions

Unit: (inch)



Functionality

Windows® CE embedded

No hard disk needed, increase the reliability of device and save the expense of a Windows® license and hard disk

Embedded Web server bundled

Provide HTTP v1.10 compliant web servers to distribute plant information to any standard web browser

Standard device connections

Integrated drivers that are included provide off the shelf connectivity to a wide range of devices.

- ADAM-5000, ADAM-4000, ADAM-5510
- Allen-Bradley® PLC
- Mitsubishi® A type & FX series PLC
- Modbus® RTU/TCP protocol PLC
- Omron® C type PLC
- ...and many more

Powerful and user friendly development utility with Advantech Studio web-based HMI/SCADA functions

- Publish real-time dynamic and animated graphic screens, trends, alarms, reports and recipes to standard browsers
- Import and export recipes, reports and real-time data to XML format
- Integrates seamlessly with your Windows® desktop applications (such as Microsoft® Word and Excel)
- View multiple Advantech clients from one web browser
- Provides on-line configuration and remote management capabilities
- Provides extensive development support tools such as message register, error codes, event codes, Database Spy and Login
- Multi-level security for applications, including use over Intranets and the Internet.

- Advanced math library with more than 100 standard functions
- Flexible and easy-to-use scripting language

Specification

- **Memory:** 32 MB EDO RAM on board
- **VGA:** single output port: DB-15 Connector
- **Solid State Disk Drive:** 1x Internal CompactFlash™ Socket, 1x External CompactFlash™ Socket
- **Storage:** 32MB CompactFlash™ Disk
- **Serial Ports:** 2 x DB9 RS-232 ports (COM1,2)
1 x DB9 RS-232/RS-485 port (COM)
- **Ethernet Port:** 1 x 10/100Base-T RJ45 Port
- **Keyboard/mouse Connector:** AT Keyboard and PS/2 Mouse
- **LED:** 1 x Power, 1 x HDD LED
- **Power Supply Voltage:** DC 24 V (Range DC 10 V ~ 35 V)
- **Max. Power Requirements:** +24 V @ 0.5 A
- **Operation Temperature:** 0 to 60° C
- **Chassis Size:** 7.432" x 4.193" x 1.409" (188.8x106.5x35.5 mm)
- **Weight:** 0.7 kg

Ordering Information

- WebLink2040/CE:**
Web-enabled Data Connection with Windows® CE and 32 MB CompactFlash™ Disk
- WebLink2040/SDA:**
Web-enabled Data Connection with Web-based HMI/SCADA runtime software, Windows® CE and 32 MB CompactFlash™ Disk
- ASTUDIO-WNT/DEV:**
Advantech Studio Web-based HMI/SCADA software development edition

Note: All specifications are subject to change without notice