

UbiQ-481

11.6" A RISC-based, In-Wall Terminal



Features

- 11.6" TFT LCD with touchscreen
- RISC based platform with fanless design
- Ideal for access & scenario control
- High performance with TI ARM Cortex-A8 OMAP-3530
- Flat touch panel design
- 2 megapixel CMOS camera
- Built-in speaker IR receiver
- Supports in-wall / wall mounting / VESA standard
- Ethernet x 2, RS-485/232 x 1, USB x 3, Video in, Line in/out, DI/DO
- Microsoft Windows® CE 6.0
- Advantech SUSI API manager is supported for easy SI development
- Various faceplates available by request
- Wi-Fi 802.11 b/g (Optional) / Zigbee (802.15.4) by project



Introduction

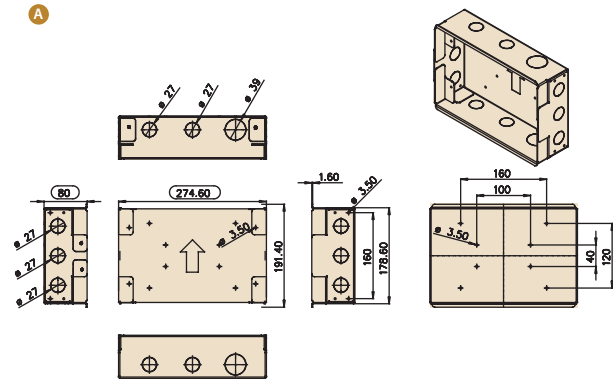
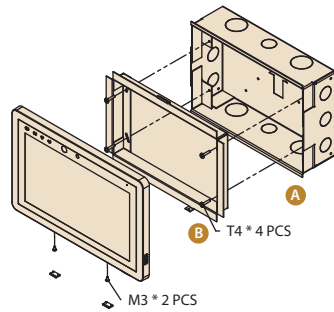
UBiQ-481, a RISC-based, in-wall terminal designed for in-wall computing applications such as scenario control, home and office automation. The system is equipped with a full-flat 11.6" touch panel and a high performance RISC-based architecture. UBiQ-481 has a sleek and elegant appearance. The faceplate can be customized to match the color and decor of any facility. Its profile is 15mm slim. UBiQ-481 comes with an 11.6" LCD touchscreen display, a TI OMAP-3530 processor with a 2 megapixel camera, rich I/O (USB, dual LAN, RS-232/485, Video-in, Line-in/out), an IR receiver and optional modules. It runs Windows CE or Linux.

Specifications

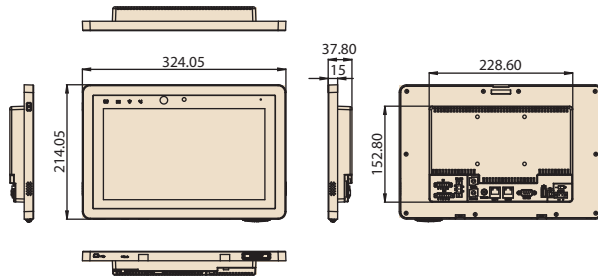
Processor		TI OMAP 3530 600 MHz
Memory	Module Type	Mobile DDR 512 MB
OS Support		Windows CE 6.0
Display	Size/Type	11" TFT color LCD
	Max. Resolution	1366 x 768
	Brightness (cd/m ²)	200 cd/m ²
	Viewing Angle	160/160
	Brightness Control	PWM
VGA	Chipset	CPU built-in
Storage / Type		iNAND 2 GB flash on board (eMMC) & SD Slot (optional, up to 32 GB)
I/O Ports	Rear I/O	USB 2.0 Host x2 / Client x1, Line-in/out, RS-232 / RS-485 x1, Video-in connector, IR Receiver, 4 TTL level DI, 4 TTL level DO, USB 2.0 Client x1 (Embedded for connector type)
	Front I/O	Mini-USB 2.0 Host port x1
Mechanical	Mounting Type	In-Wall/Wall Mounting/VESA Standard
	Dimensions (W x H x D)	324.05 x 214.05. x 37.8 mm
Camera		2 M Pixels CMOS camera
Hot Key		Power x1/ Emergency Hot Key x1
LED		4
RF Wireless		IR receiver x 1
Network (LAN)		10/100 Base-T Ethernet (RJ-45) x 2
Audio	SPK / MIC	Speaker x2 output / Microphone x1 input
	Output Rating	10 ~ 24 V _{DC} , 2 A
Power	Input Voltage	100 ~ 240 V _{AC}
	Technology	Resistive
Touchscreen	Touch Life Cycle	10 million touches
	Operating	0 ~ 40° C
Temperature	Storage	-20 ~ 60° C
	Certificates	CE/FCC Class B, CCC, BSMI, UL

Dimensions

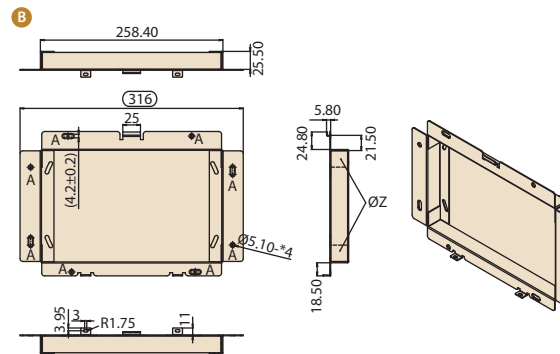
Unit: mm



UbiQ-481 Wall-Box

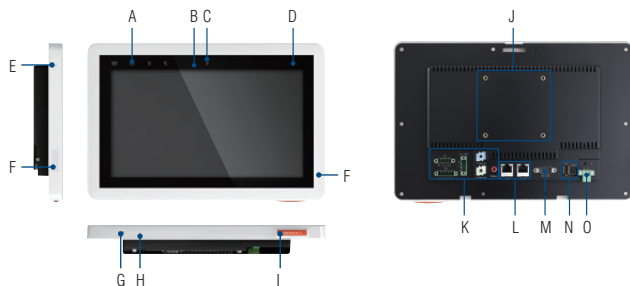


UbiQ-480



UbiQ-481 Bracket

UbiQ-481 I/O



- A: LED Indicators
- B: IR Receiver
- C: Camera
- D: MIC
- E: Power Key
- F: Speaker
- G: Mini USB
- H: Reset Key
- I: Function Key

- J: VESA (75)
- K: Line-in/out, Video-in, 4 TTL
- L: LAN Ports x2
- M: RS-232
- N: USB x 2
- O: Power Switch

Ordering Information

Part Number	Description
UbiQ-481-ENWOLE	UbiQ-481 English OS, White Cover
UbiQ-481-TCWOLE	UbiQ-481 Traditional Chinese OS, White

Optional List

Description	Quantity
Wall-Box	1
Wi-Fi Module	1

Packing List

Description	Quantity
UbiQ-481 Unit	1
UbiQ-481 Bracket	1
WinCE License Sticker	1