

# **UNO-4673A**

**Intel Atom Dual Core Automation  
Computer with 6xLAN, 2xCOM, 3  
expansion slots**

## **User Manual**

## Copyright

This document is copyrighted, © 2011. All rights are reserved. The original manufacturer reserves the right to make improvements to the products described in this manual at any time without notice.

No part of this manual may be reproduced, copied, translated or transmitted in any form or by any means without the prior written permission of the original manufacturer. Information provided in this manual is intended to be accurate and reliable. However, the original manufacturer assumes no responsibility for its use, nor for any infringements upon the rights of third parties that may result from such use.

## Acknowledgements

Intel, Pentium and Celeron are registered trademarks of Intel Corp.

Microsoft Windows and MS-DOS are registered trademarks of Microsoft Corp.

All other product names or trademarks are properties of their respective owners.

## Support

For more information on this and other Advantech products, please visit our websites at: **<http://www.advantech.com>**

For technical support and service, please visit our support website at: **<http://www.advantech.com/support/>**

This manual is for UNO-4673A.

Part No. 2003467300

2ndEdition

Printed in Taiwan

February 2012

## **Product Warranty (2 years)**

Advantech warrants to you, the original purchaser, that each of its products will be free from defects in materials and workmanship for two years from the date of purchase.

This warranty does not apply to any products that have been repaired or altered by persons other than repair personnel authorized by Advantech, or which have been subject to misuse, abuse, accident or improper installation. Advantech assumes no liability under the terms of this warranty as a consequence of such events.

Because of Advantech high quality-control standards and rigorous testing, most of our customers never need to use our repair service. If an Advantech product is defective, it will be repaired or replaced at no charge during the warranty period. For out-of-warranty repairs, you will be billed according to the cost of replacement materials, service time and freight. Please consult your dealer for more details. If you think you have a defective product, follow these steps:

- Step 1. Collect all the information about the problem encountered. (For example, CPU speed, Advantech products used, other hardware and software used, etc.) Note anything abnormal and list any on-screen messages you get when the problem occurs.
- Step 2. Call your dealer and describe the problem. Please have your manual, product, and any helpful information readily available.
- Step 3. If your product is diagnosed as defective, obtain an RMA (return merchandise authorization) number from your dealer. This allows us to process your return more quickly.
- Step 4. Carefully pack the defective product, a fully completed Repair and Replacement Order Card and a photocopy proof of purchase date (such as your sales receipt) in a shippable container. A product returned without proof of the purchase date is not eligible for warranty service.
- Step 5. Write the RMA number visibly on the outside of the package and ship it prepaid to your dealer.

## **CE**

This product has passed the CE test for environmental specifications. Test conditions for passing included the equipment being operated within an industrial enclosure. In order to protect the product from being damaged by ESD (Electrostatic Discharge) and EMI leakage, we strongly recommend the use of CE-compliant industrial enclosure products.

## **FCC Class A**

This equipment has been tested and found to comply with the limits for a Class A digital device, pursuant to Part 15 of the FCC Rules. These limits are designed to provide reasonable protection against harmful interference when the equipment is operated in a commercial environment. This equipment generates, uses and can radiate radio frequency energy and, if not installed and used in accordance with the instruction manual, may cause harmful interference to radio communications. Operation of this equipment in a residential area is likely to cause harmful interference in which case the user will be required to correct the interference at his own expense.

## **Technical Support and Assistance**

- Step 1. Visit the Advantech web site at **[www.advantech.com/support](http://www.advantech.com/support)** where you can find the latest information about the product.
- Step 2. Contact your distributor, sales representative, or Advantech's customer service center for technical support if you need additional assistance. Please have the following information ready before you call:
  - Product name and serial number
  - Description of your peripheral attachments
  - Description of your software (OS, version, software, etc.)
  - A complete description of the problem
  - The exact wording of any error messages

## **Safety Instructions**

1. Read these safety instructions carefully.
2. Keep this User's Manual for later reference.
3. Disconnect this equipment from any AC outlet before cleaning. Use a damp cloth. Do not use liquid or spray detergents for cleaning.
4. For plug-in equipment, the power outlet socket must be located near the equipment and must be easily accessible.
5. Keep this equipment away from humidity.
6. Put this equipment on a reliable surface during installation. Dropping it or letting it fall may cause damage.
7. The openings on the enclosure are for air convection. Protect the equipment from overheating. **DO NOT COVER THE OPENINGS.**
8. Make sure the voltage of the power source is correct before connecting the equipment to the power outlet.
9. Position the power cord so that people cannot step on it. Do not place anything over the power cord.
10. All cautions and warnings on the equipment should be noted.
11. If the equipment is not used for a long time, disconnect it from the power source to avoid damage by transient overvoltage.
12. Never pour any liquid into an opening. This may cause fire or electrical shock.
13. Never open the equipment. For safety reasons, the equipment should be opened only by qualified service personnel.
14. If one of the following situations arises, get the equipment checked by service personnel:
  - a. The power cord or plug is damaged.
  - b. Liquid has penetrated into the equipment.
  - c. The equipment has been exposed to moisture.
  - d. The equipment does not work well, or you cannot get it to work according to the user's manual.
  - e. The equipment has been dropped and damaged.
  - f. The equipment has obvious signs of breakage.
15. **DO NOT LEAVE THIS EQUIPMENT IN AN ENVIRONMENT WHERE THE STORAGE TEMPERATURE MAY GO BELOW**

-20°C (-4°F) OR ABOVE 70°C (158°F). THIS COULD DAMAGE THE EQUIPMENT. THE EQUIPMENT SHOULD BE IN A CONTROLLED ENVIRONMENT.

16. CAUTION: DANGER OF EXPLOSION IF BATTERY IS INCORRECTLY REPLACED. REPLACE ONLY WITH THE SAME OR EQUIVALENT TYPE RECOMMENDED BY THE MANUFACTURER, DISCARD USED BATTERIES ACCORDING TO THE MANUFACTURER'S INSTRUCTIONS.
17. Due to the sensitive nature of the equipment it must be stored in a restricted access location, only accessible by qualified engineers.
18. When installing this equipment, ensure that the Earth cable is securely attached using a 3.5mm screw.
19. The equipment does not include a power cord and plug.

The sound pressure level at the operator's position according to IEC 704-1:1982 is no more than 70 dB (A).

DISCLAIMER: This set of instructions is given according to IEC 704-1. Advantech disclaims all responsibility for the accuracy of any statements contained herein.

### **Safety Precaution - Static Electricity**

Follow these simple precautions to protect yourself from harm and the products from damage.

- To avoid electrical shock, always disconnect the power from your PC chassis before you work on it. Don't touch any components on the CPU card or other cards while the PC is on.
- Disconnect power before making any configuration changes. The sudden rush of power as you connect a jumper or install a card may damage sensitive electronic components.

#### **For AC Power Supply**

- The AC power supply cord shall be used with UL approved and one end is plug type and other end is terminal type (18 AWG min.)

#### **For DC Power Supply**

- The DC power supply cable shall be used with UL approved and suitable terminal (18 AWG min.).
- A readily accessible approved circuit breaker shall be incorporated in the field wiring.

# Contents

<b>Chapter 1</b>	<b>Overview .....</b>	<b>2</b>
1.1	Introduction .....	2
1.2	Hardware Specifications .....	5
1.3	Safety Precautions .....	7
1.4	Chassis Dimensions.....	8
	Figure 1.1:Chassis Dimensions .....	8
1.5	Packing List.....	8
<b>Chapter 2</b>	<b>Hardware Functionality .....</b>	<b>10</b>
2.1	Overview .....	10
	Figure 2.1:UNO-4673A Front Panel .....	10
	Figure 2.2:UNO-4673A Rear Panel .....	10
2.2	LED Indicators .....	11
2.2.1	System Status Indicators .....	11
	Table 2.1:Definition of System Status Indicators .....	11
2.2.2	LAN Status Indicators .....	12
	Table 2.2:Definition of LAN Status Indicators .....	12
2.2.3	Serial Communication Status Indicators .....	13
	Table 2.3:Definition of Serial COM Status Indicators .....	13
2.2.4	Indicators for Expansion Slots .....	13
2.3	Power Input .....	14
	Table 2.4:AC/DC Power Input .....	14
	Table 2.5:AC/DC Power Input Function Introduction .....	14
2.3.1	Specification of the Relay .....	15
2.3.2	Wiring Diagram of the Relay .....	15
	Figure 2.3: Event Relay Connection .....	15
2.4	RS-232/422/485 Interface (COM1, COM2) .....	16
2.4.1	OXuPCI952 UARTs with 128 bytes FIFO .....	16
2.4.2	RS-422/485 Detection .....	16
2.4.3	Automatic Data Flow Control Function for RS-485 .....	16
2.4.4	Terminal Resistor (SW6,SW8) .....	17
	Table 2.6:Jumper setting of terminal resistor .....	17
	Table 2.7:Mapping table of Jumper/DIP for COM port .....	17
2.4.5	RS-232/422/485 Selection .....	18
	Figure 2.4:RS-422/485 Jumper Setting .....	18
	Figure 2.5:RS-232 Jumper Setting .....	18
2.4.6	RS-485 Auto Flow & RS-422 Master/Slave Modes .....	19
	Table 2.8:SW3 DIP Setting .....	19
2.4.7	Redundant RS-422 Matter .....	19
	Table 2.9:Mapping table of switches for COM port .....	19
2.5	LAN: Ethernet Connector .....	20
2.6	USB Ports .....	20
2.7	VGA Display .....	20
2.8	Battery Backup SRAM.....	21

2.8.1	Lithium Battery Specifications .....	21
2.9	Relay Output for Event .....	22
	Table 2.10:Definition of SW9 for events .....	22
2.10	Advanced Watchdog Timer .....	22
2.11	Expansion Slots .....	23
<b>Chapter 3</b>	<b>Initial Setup.....</b>	<b>26</b>
3.1	Configuration .....	26
	Figure 3.1:Location for Configuration .....	27
3.2	Install a USB Dongle.....	27
3.3	Install a Hard Disk.....	28
	Figure 3.2:Location of SATA connections .....	29
3.4	Installing in a Rack.....	30
3.5	BIOS Setup and System Assignments .....	31
<b>Appendix A</b>	<b>System Settings &amp; Pin Assignments .....</b>	<b>34</b>
A.1	System I/O Address & Interrupt Assignments .....	34
	Table A.1: UNO-4673A System I/O Ports .....	34
	Table A.2:UNO-4673A Interrupt Assignment .....	35
A.2	RS-232/422/485 Serial Ports (COM1~COM2).....	36
	Table A.3:RS-232 Serial Ports COM1~2 .....	36
A.3	USB Connectors.....	37
	Table A.4:USB Connector Pin Assignments .....	37
A.4	VGA Display Connector .....	37
	Table A.5:VGA Adaptor Cable Pin Assignments .....	37



## **Overview**

This chapter provides an overview of UNO-4673A's specifications.

Sections include:

- Introduction
- Hardware Specifications
- Safety Precautions
- Chassis Dimensions
- Packing List

# Chapter 1 Overview

## 1.1 Introduction

---

UNO-4673A is an embedded Application Ready Platform (ARP) that can shorten development time and offers rich networking interfaces to fulfill extensive needs. UNO-4673A is designed to be a total solution for network enabled Application Ready Platforms.

Leveraging field-approved and worldwide approved real-time OS technology, Advantech UNO-4673A series provides a Windows CE .NET and Windows XP Embedded ready solution, and supports several standard networking interfaces, such as Ethernet, RS-232/422/485 and more. Because of its openness, great expansion capability and reliable design (fanless and diskless), the UNO-4673A series are ideal embedded platforms for implementing custom applications for diverse applications.

### **Target on Data Server and Communication Gateway in Substations**

Advantech UNO-4673A has been defined and designed to be compliant with IEC-61850-3, which has been defined as an international hardware standard of communication network and system in power substations. In modern power substation, this standard facilitate the management to large number of devices and enable the various devices to communicate with one another. UNO-4673A is a ready and certified platform to serve all these requirement.

### **3x Expansion Slots for Substation Domain IO**

UNO-4673A offer 3 expansion slots for modularized domain IO plug-in card. With these expansion slots, UNO-4673A can optional equips isolated serial ports, IRIG-B, as well as fiber optical Ethernet interface.

If user need to plug in the ordinary plug-in card, UNO-4673A can also support the interface module to provide the standard PCI, PCIe-mini card slot, mini-PCI and PCI-104.

Some of the application need to install 2nd HDD. UNO-4673A can also optional provide the HDD kit to install HDD in the expansion slot.

## **Open Architecture Designed for Automation**

For applications demanding customized control, an UNO-4673A that uses more flexible, off-the-shelf technology is a better option. UNO-4673A uses off-the-shelf components such as an x86 processor, an Ethernet chipset, CompactFlash<sup>®</sup>, and DRAM. At the same time, the UNO-4673A unit can broadcast the process data through the Ethernet and share the data with operators and managers. By using off-the-shelf components, machine builders can customize the control scheme they use for other machines that require multiple inputs, optimized control, or Ethernet communication. So, UNO-4673A offers the I/O connectivity of PCs with options like: 6 x Ethernet (2 x 10/100/1000 Base-T, 4 x 10/100 Base-T), 2 x Serial ports (2 x RS-232/422/485), 6 x USB ports (2 x Front, 3 x Rear, 1 x Internal), 1 x CompactFlash and VGA interface for display panels.

## **Robust IO Isolate System from Electrical Noise**

UNO-4673A is designed for the applications in substation where is supposed to have certain electric interference. Equipping with isolated power and isolated communication ports, UNO-4673A has high resistance toward electrical noise. It has been proved not only can work well in substation but also suitable for any harsh applications

## **An Industry-Proven Design**

Industrial applications require controllers with high-vibration specifications and a wide temperature range. Controllers in industrial environments require flexible and stable mounting, and many machine builders underestimate the need for rugged controllers because their applications are mounted in an industrial enclosure. UNO-4673A has a special design without the weaknesses of a standard PC. No fan, and no HDD prevent dust and vibration problems. With a smart mechanical design, UNO-4673A can meet 50 G shock (with CompactFlash), 2 G vibration (with CompactFlash), up to 70°C operating temperature (tested under 100% CPU loading) and almost anything an industrial environments demand.

## **Designed to Fit Comfortably Into Racks**

In completely new packaging, UNO-4673A has standard 2U rack size as 440 x 280 x 88 mm (W x H x D) could fit your rack. The rear IO connection and indicator LEDs on the front panel for all ports and modes highly simplify monitoring for operation and maintenance in the rack. You could easily mount UNO-4673A on rack, manage all UNOs in one rack and easily develop your application on rack.

## **Popular Operating Systems and Rapid Application Development**

The Advantech UNO-4673A supports the popular off-the-shelf Microsoft Windows 2000/NT/XP operating systems and the Linux operating system. UNO-4673A also features pre-built Microsoft Windows XP embedded or Windows CE solutions offering a pre-configured image with optimized onboard device drivers. Microsoft Windows CE and XP Embedded are compact, highly efficient, and real-time operating systems that are designed for embedded systems without a HDD. There is no need to waste time and energy on developing onboard device drivers or using the Platform Builder to build a custom Windows CE image, they have all been done for the Advantech UNO-4673A series! Through the built-in runtime library and Software Development Kit (SDK), the UNO-4673A series leverages your existing Windows-based programming skills to rapidly develop applications.

## 1.2 Hardware Specifications

---

### General

<b>Certifications</b>	EC 61850-3, IEEE 1613, CE, FCC Class A, UL, CCC
<b>Dimensions (W x D x H)</b>	2U (440 x 280 x 88) mm (17.3" x 11" x 3.4") fits into standard 19 inch rack
<b>Enclosure</b>	SECC
<b>Mounting</b>	2U Rackmount
<b>Power Consumption</b>	45W (Typical)
<b>Power Requirements</b>	AC: 100 ~ 240 V <sub>AC</sub> (47 ~ 63 Hz) DC: 106 ~ 250 V <sub>DC</sub> With isolation protection, AT
<b>Weight</b>	6.0 kg
<b>OS Support</b>	WES, Windows XP Embedded, Windows 2000/XP, Windows CE 6.0, Linux, QNX
<b>System Design</b>	Fanless with no internal cabling
<b>Remote Management</b>	Built-in Advantech DiagAnywhere agent on Windows CE/XPe

### System Hardware

<b>CPU</b>	Intel Dual Core Atom D510 1.66 GHz
<b>Memory</b>	2G DDR2 SDRAM
<b>Indicators</b>	LEDs for Power, IDE, Alarm for battery backup SRAM, Diagnosis (programmable), LAN (Active, Status) and Serial (Tx, Rx)
<b>Keyboard/Mouse</b>	2 x PS/2 connector for Keyboard & Mouse
<b>Storage</b>	<b>CF</b> - 1 x internal type I/II CompactFlash slot <b>HDD</b> - Built-in one 2.5" SATA HDD bracket
Note: The RAID function in BIOS is a reserved function for project support only.	
<b>Display</b>	DB15 VGA connector, 2048 x 1536 @ 85 Hz
<b>Watchdog Timer</b>	Programmable 7-tier event handler, from 1 to 255 seconds for each tier
<b>Battery Backup SRAM</b>	1 MB

## I/O Interface

<b>Serial Ports</b>	2 x DB-9 Automatic RS-485 data flow control 2000 V <sub>DC</sub> EFT protection & 2000 V <sub>DC</sub> isolation
<b>Serial Port Speed</b>	RS-232: 50 ~ 115.2 kbps RS-422/485: 50 ~ 921.6 kbps (Max.)
<b>LAN</b>	2 x 10/100/1000 Base-T RJ-45 ports, teaming function supported 4 x 10/100Base-T RJ-45 ports
<b>Audio</b>	Line-out
<b>USB Ports</b>	6 x USB, UHCI, Rev. 2.0 compliant 2 x Front, 3 x Rear and 1 x Internal ports
<b>Expansion</b>	3 x Domain I/O expansions (Only slot 1 supports PCIe resource) Power support for each slot 5V@ 2A, 3.3V@1.5A, 12V@0.25A Maximum 30 Watt for all slot @ condition of 50°C operation temperature

## Environment

<b>Humidity</b>	95% @ 40°C (non-condensing)
<b>Operating Temperature</b>	IEC 60068-2-2 with 100% CPU/ I/O loading, 48 hrs -20 ~ 70°C (optional for -40°C)
<b>Safety Cert. Temperature:</b>	-20~50°C (-4~122° F)
<b>Operating Humidity</b>	20 ~ 95% (non-condensing)
<b>Shock Protection</b>	IEC 60068-2-27 CompactFlash 50 G half sine, 11 ms HDD: 20 G half sine, 11 ms
<b>Vibration Protection</b>	EC 60068-2-64 (Random 1 Oct./min, 1hr/axis.) CompactFlash? 2 Grms @ 5 ~ 500 Hz,
<b>HDD:</b>	1 Grms @ 5 ~ 500 Hz

## 1.3 Safety Precautions

---

The following messages inform how to make each connection. In most cases, you will simply need to connect a standard cable.

**Warning!**



*Always disconnect the power cord from your chassis whenever you are working on it. Do not connect while the power is on. A sudden rush of power can damage sensitive electronic components. Only experienced electronics personnel should open the chassis.*

**Caution!**



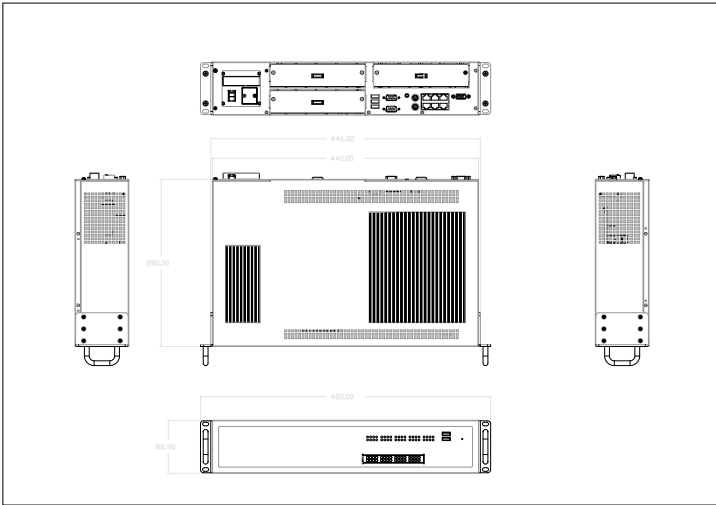
*Always ground yourself to remove any static electric charge before touching UNO-4673A. Modern electronic devices are very sensitive to static electric charges. Use a grounding wrist strap at all times. Place all electronic components on a static-dissipative surface or in a static-shielded bag.*

**Attention!**

*If DC voltage is supplied by an external circuit, please put a protection device in the power supply input port.*

## 1.4 Chassis Dimensions

---



*Figure 1.1: Chassis Dimensions*

## 1.5 Packing List

---

The accessory package of UNO-4673A contains the following items:

- (A) UNO-4673A
- (B) 2 x rack mounting kit
- (C) 12 x screw for rack mount kit
- (D) 2 x front handles
- (E) 4 x screws for front handles
- (F) 1 x SATA signal cable
- (G) 1 x SATA power cable
- (H) 4 x screws for SATA HDD installation
- (I) 1x clamp for USB dongle
- (J) 2x screws for USB clamp
- (K) UNO series Driver and Utility DISC
- (L) 1 x warranty card



## Hardware Functionality

This chapter shows how to setup the UNO-4673A's hardware functions, including connecting peripherals, setting switches and indicators.

Sections include:

- Overview
- LED Indicators
- Power Input
- RS-232 Interface
- RS-232/422/485 Interface
- LAN / Ethernet Connector
- USB Ports
- VGA Display
- Battery Backup SRAM
- Onboard Isolated Digital Input
- Onboard Isolated Digital Output
- Onboard Isolated Counter/Timer
- LED & Buzzer for System Diagnosis
- PC/104+

# Chapter 2 Hardware Functionality

## 2.1 Overview

---

The following two figures show the indicators, connectors and expansion slots on the UNO-4673A. The following sections give you detailed information about function of each peripheral.



*Figure 2.1: UNO-4673A Front Panel*

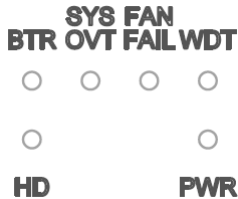


*Figure 2.2: UNO-4673A Rear Panel*

## 2.2 LED Indicators

The LEDs in the front panel can be divided into 4 groups.

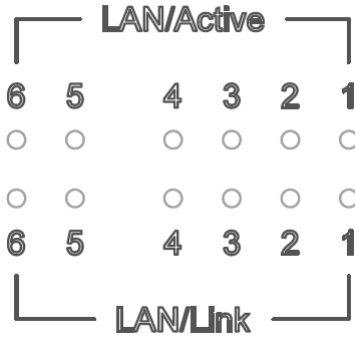
### 2.2.1 System Status Indicators



**Table 2.1: Definition of System Status Indicators**

Item	LED	Status	Description
1	PWR	Green	System power is on
		Off	System power is off
2	HD	Green	Data being received/ transmitted between on CF/SATA
		Off	No Data being received/ transmitted on CF/ SATA
3	WDT	Red	WDT trigger the LED for alarm
		Off	Default
4	BTR	Red	Battery for backup SRAM should be replaced
		Off	Status of battery for backup is OK
5	SYS OVT	Red	System over temperature alarm
		Off	Default
6	FAN FAIL (Optional)	Red	System fan fail
		Off	Default

## 2.2.2 LAN Status Indicators



**Table 2.2: Definition of LAN Status Indicators**

Item	LED	Status	Description
1	LAN/Link (Port 1~2)	Green	1Gbps network link
		Orange	100Mbps network link
		Off	10Mbps network link or invalid network link
2	LAN/Link (Port 3~6)	Orange	100Mbps network link
		Off	10Mbps network link or invalid network link
3	LAN/Active (Port 1~6)	Green	Ethernet data being received/ transmitted
		Off	No Ethernet data being received/ transmitted

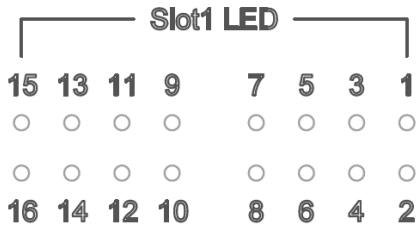
### 2.2.3 Serial Communication Status Indicators



**Table 2.3: Definition of Serial COM Status Indicators**

Item	LED	Status	Description
1	COM/Rx (Port 1,2)	Green	Serial port data being received
		Off	No data being received
2	COM/Tx (Port 1,2)	Orange	Serial port data being transmitted
		Off	No data being transmitted

### 2.2.4 Indicators for Expansion Slots



These LED indicators are defined by the UNOP series expansion modules, please refer to the related document for the definition.

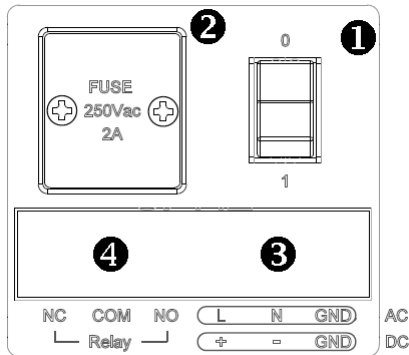
## 2.3 Power Input

The UNO-4673A support AC/DC power input to fulfill the need of field site. Following table shows the specification of the power input.

**Table 2.4: AC/DC Power Input**

AC/DC	Volt. Range	Power Rating	Connector Type
AC	100-240V	2 - 0.8A, 47- 63Hz	3Pin Screw Terminal
DC	106-250V	2 - 0.8A	3Pin Screw Terminal

The function of each part is described as below:



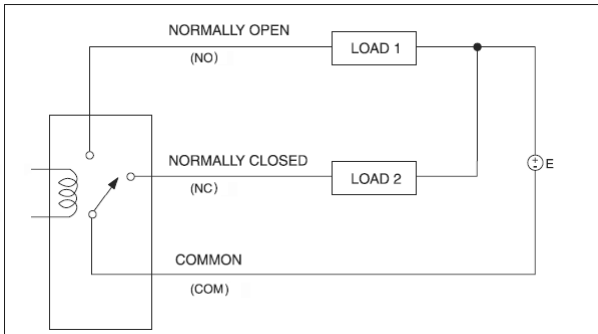
**Table 2.5: AC/DC Power Input Function Introduction**

Item	Function Description
1	AT power switch for AC/DC power input
2	Fuse for AC/DC power input
3	Screw terminal for AC/DC power input
4	Relay output by event

### 2.3.1 Specification of the Relay

Relay output type:	Form C
Contact:	5A@250V <sub>AC</sub> 5A@30V <sub>DC</sub>
Breakdown Voltage:	500V <sub>AC</sub> (50/60Hz)
Contact Resistance:	30mΩ (maximum)
Insulation Resistance:	1GΩ (maximum) at 500VDC

### 2.3.2 Wiring Diagram of the Relay



*Figure 2.3: Event Relay Connection*

## 2.4 RS-232/422/485 Interface (COM1, COM2)

---

The UNO-4673A offers two RS-232/422/485 serial communication interface ports: COM1 and COM2. Please refer to Appendix A.2 for their pin assignments. The default setting of COM1 and COM2 are RS-232.

**Note:** Windows usually recognizes that COM ports start from COM3, so these two ports might be named as COM3 and COM4 in Windows. The function will not be affected and users can also easily change the name in the Windows Device Manager.

### 2.4.1 OXuPCI952 UARTs with 128 bytes FIFO

Advantech UNO-4673A comes with Oxford OXuPCI952 UARTs containing 128 bytes FIFOs.

### 2.4.2 RS-422/485 Detection

In RS-422/485 mode, UNO-4673A automatically detects signals to match RS-422 or RS-485 networks. (No jumper change required)

### 2.4.3 Automatic Data Flow Control Function for RS-485

In RS-485 mode, UNO-4673A automatically detects the direction of incoming data and switches its transmission direction accordingly. So no handshaking signal (e.g. RTS signal) is necessary. This lets you conveniently build an RS-485 network with just two wires. More importantly, application software previously written for half duplex RS-232 environments can be maintained without modification.



## 2.4.4 Terminal Resistor (SW6,SW8)

The onboard termination resistor (120 ohm) for COM1, COM2 can be used for long distance transmission or device matching. (Default Open.) Please also refer to Table 2.9 for the mapping table of Jumper and COM port.

**Table 2.6: Jumper setting of terminal resistor**

DIP	Status	Description
1	ON	Add terminal resistor on Tx+/Tx- of RS-422 or Data+/Data- of RS-485
	OFF	No terminal resistor (Default)
2	ON	Add terminal resistor on Rx+/Rx- of RS-422
	OFF	No terminal resistor (Default)

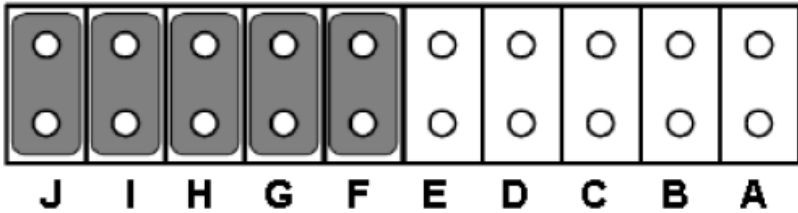
**Table 2.7: Mapping table of Jumper/DIP for COM port**

COM port	Jumper for RS-232 and RS-422/485 selection	SW3 DIP switch for Auto-flow control	Jumper for Terminal Resistor
COM1	CN12	DIP1	SW6
COM2	CN14	DIP2	SW8

### 2.4.5 RS-232/422/485 Selection

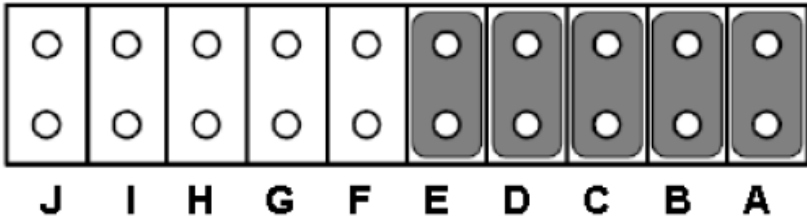
COM1, COM2 support RS-232, RS-422 and RS-485 interfaces. The system detects RS-422 or RS-485 signals automatically in RS-422/485 mode. To select between RS-422/485 and RS-232 for COM1, COM2, adjust CN12, CN14 and Table 2.9 shows the mapping table.

Jumper settings for RS-422/485 interface: (CN12, CN14)



*Figure 2.4: RS-422/485 Jumper Setting*

Jumper settings for RS-232 interface: (Default setting) (CN12, CN14)



*Figure 2.5: RS-232 Jumper Setting*

### 2.4.6 RS-485 Auto Flow & RS-422 Master/Slave Modes

You can set the “Auto Flow Control” mode of RS-485 or “Master/Slave” mode of RS-422 by using the SW3 DIP switch for COM1, COM2. Please also refer to Table 2.9 for the COM port mapping with the DIP.

In RS-485, if the switch is set to “Off”, the driver automatically senses the direction of the data flow and switches the direction of transmission. No handshaking is necessary.

In RS-422, if DIP switch is set to “On,” the driver is always enabled, and always in high or low status. Please refer below for the default setting.

**Table 2.8: SW3 DIP Setting**

SW3 Status	Description
ON	RS-422: Master mode RS-485: N/A
OFF (Default)	RS-422: Slave mode RS-485: Auto flow control

### 2.4.7 Redundant RS-422 Matter

In the occasion that UNO-4673A RS-422 ports need to act as multi-master in parallel with other RS-422 master ports. Because of the auto detection function, the TX port will also receive data from other RS-422 master. To avoid this situation in this kind of application, user can use SW5 and SW7 to turn it off, then no data will be received from TX port. Please refer to the Table 2.11 for the COM port mapping and refer to Figure 2.3 for the location.

**Table 2.9: Mapping table of switches for COM port**

COM port	Switches	Status
COM1	SW5	ON: Normal (default)
COM2	SW7	OFF: RS-422 multi-master

## 2.5 LAN: Ethernet Connector

---

The UNO-4673A is equipped with 2 Intel 82574L Gigabit Ethernet Controller which are compliant with IEEE802.3 1000Base-T, 100Base-TX and 10Base-T (802.3, 802.3u and 802.3ab). And it is also equipped with 4 Realtek RTL8100CL Network controllers which are compliant with IEEE 802.3u 10/ 100Base-T CSMA/CD standards.

The Ethernet port provides a standard RJ-45 jack on board, and LED indicators on the front side to show its Link and Active status.

Please note these LAN controllers all use PCI resource, the bandwidth or throughput may be restricted by the PCI bandwidth.

## 2.6 USB Ports

---

The UNO-4673A provides six USB interface connectors, which provide complete Plug & Play and hot swapping for up to 127 external devices.

The USB interface complies with USB UHCI, Rev. 2.0 compliant. The USB interface can be disabled in the system BIOS setup.

UNO-4673A provides 2 USB port on the front panel, and 3 USB port on the rear panel. It also provides 1 USB port inside the chassis for USB dongle key.

## 2.7 VGA Display

---

The UNO-4673A with Intel ICH8-M, integrates the graphic controller GMA-3150 and provides a resolution of 2048 x 1536 for VGA output.

## 2.8 Battery Backup SRAM

---

UNO-4673A provides 1MB of battery backup SRAM. This ensures that you have a safe place to store critical data. You can now write software applications without being concerned that system crashes will erase critical data from the memory.

There is a BTR LED in the front panel of the UNO-4673A, please replace the lithium battery with a new one if the BTR LED is activated.

### 2.8.1 Lithium Battery Specifications

- **Type:** BR2032 (Using CR2032 is NOT recommended)
- **Output voltage:**  $3 V_{DC}$
- **Location:** the backside of UNO-4673A board  
(BH1 is for real time clock, BH2 is for SRAM)

## 2.9 Relay Output for Event

---

To reduce the down time of device or prevent the system fail, UNO-4673A provides the relay output function for some events. There is a OR gate to handle these events with the relay output.

The SW9 can enable or disable the linkage of each event with the relay output. Adjust the DIP switch ON to enable the linkage of the event with the relay output

**Table 2.10: Definition of SW9 for events**

DIP	Description of events	Remark
1	Fan Failed	Optional
2	System Over Temperature	Default 90°C
3	BBSRAM Failed	Change Battery
4	WDT Alarm	

By using the relay output, UNO-4673A can pass event notifications on to SCADA.

Some of the parameters can be setup in the BIOS, please check the related function in the BIOS.

## 2.10 Advanced Watchdog Timer

---

The UNO-4673A provides a 7-tier Watchdog Timer for users to have a chance to escalate system status before the forced system reset. Each tier has the same time interval from 1~255 seconds and users can have an event handling after the time-out of each tier. Install the driver from companion disc and refer to the software manual for details.

## 2.11 Expansion Slots

---

UNO-4673A offers 3 expansion slots for modularized domain IO plug-in card. Through the interface card, UNO-4673A can also adopt the standard PCI card, PCIe-mini card, mini-PCI card as well as the PCI-104 card.

Due to the UNO-4673A is an embedded system, the power providing for the expansion slot is limited. The maximum power support for each slot are:

- 5V@ 2A
- 3.3V@1.5A
- 12V@0.25A

And totally support maximum 30W (at 50°C condition) for all slots. Before you configure all the module and plug-in card, please note not to exceed the power limit.

All the expanding IO modules are design for embedded application, the power efficiency and thermal are well controlled. But if 3rd plug-in card is required to work in the UNO-4673A, please check the related power consumption and working condition carefully. In the normal condition, the ambience temperature inside the chassis would be 15°C higher than the environment temperature of UNO-4673A. To avoid the abnormal high internal temperature damage the plug-in card, UNO-4673A provide the system temperature alarm function, please refer to chapter 2.9 for detail.

UNO-4673A also support the optional fan for user to resolve the thermal issue of the 3rd party plug-in card which is with high power consumption or bad power efficiency. It is not recommended to use this kind of card in the embedded system, only while the plug-in card is mandatory, please contact Advantech for this optional support.





CHAPTER  
**3**

## **Initial Setup**

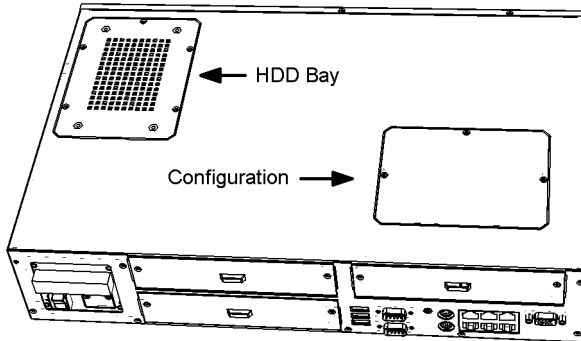
# Chapter 3 Initial Setup

## 3.1 Configuration

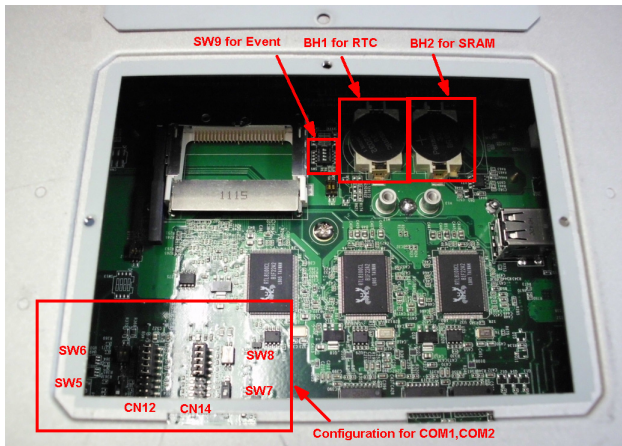
---

To open the chassis, please follow the steps below:

1. Remove all power and signal connections
2. Place the unit with the heat-sink side down
3. Remove the plug-in module in the slot 3
4. Remove the screws on the cover



5. Install a Well-configured CompactFlash Card in this area
6. Install a USB device in this area
7. Refer to this manual to configure the COM ports



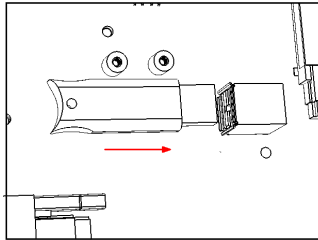
*Figure 3.1: Location for Configuration*

## 3.2 Install a USB Dongle

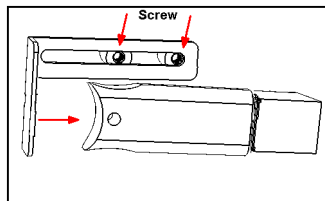
---

UNO-4673A provides a clamp to fix the USB dongle which can be installed inside the chassis. Please follow the steps to install the USB dongle and clamp:

1. Please follow 3.1 to open the cover for configuration.
2. Plug the USB Dongle in the upside port, please note the downside port is a dummy port.



Adjust the position of the kit to fasten the USB dongle, and then screw to fix the kit.

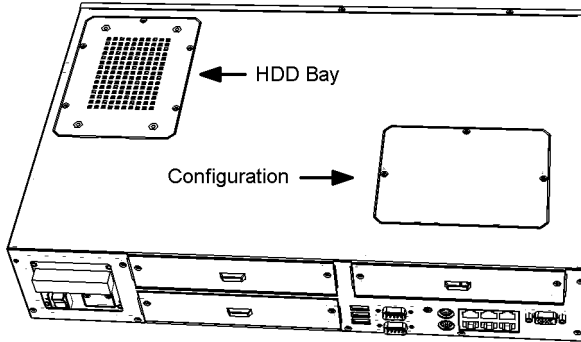


### 3.3 Install a Hard Disk

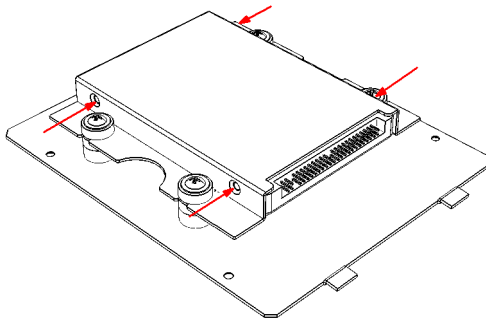
---

Please follow the steps below to install an HDD:

1. Turn the heat-sink side down.
2. Unscrew the screws and get the HDD bay apart.



3. Insert the HDD into the HDD bay and screw it.



4. Connect the SATA cable between HDD and connector then assemble the HDD back to the chassis. The locations of the connectors are below HDD Bay.



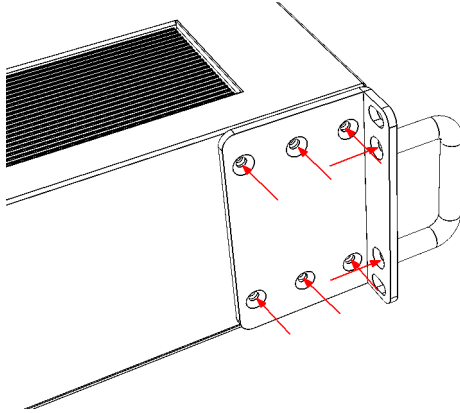
***Figure 3.2: Location of SATA connections***

### 3.4 Installing in a Rack

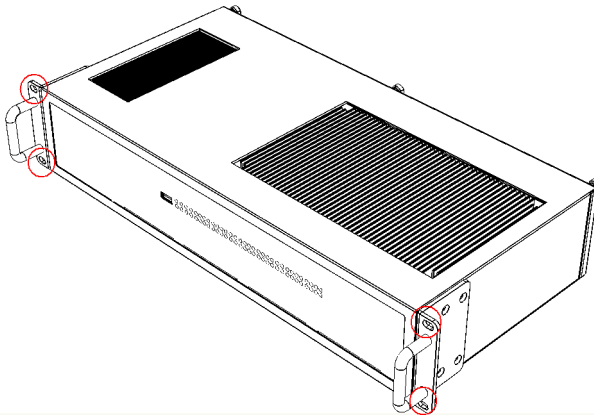
---

UNO-4673A provides the kits for Rack mounting in the accessory box

1. Please screw the ears and handles at the position indicated below.  
The same on the other side.



2. Use the 4 screw holes to mount the UNO-4672 on the rack.



3. UNO-4673A equips the Aluminum Fins on the top of the unit as heat-sink. It can generate nature convection for better heat transmission. For optimal thermal performance, leave 2U (88.9mm) space height on the top of the unit.

## **3.5 BIOS Setup and System Assignments**

---

UNO-4673A adopts Advantech's SOM-6763 CPU module.

Further information about the SOM module, can be found in SOM's user's manual. You can find this manual on the UNO-4673A's companion DISC.

Please note that you can try to "LOAD BIOS DEFAULTS" from the BIOS Setup manual if the UNO-4673A does not work properly.





Appendix

# A

## **System Settings and Pin Assignments**

# Appendix A System Settings & Pin Assignments

## A.1 System I/O Address & Interrupt Assignments

---

*Table A.1: UNO-4673A System I/O Ports*

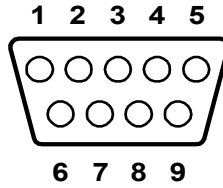
Address Range	Device
000-01F	DMA controller (slave)
020-03F	Interrupt controller 1, (master)
040-05F	8254 timer/counter
060-06F	8042 (keyboard controller)
070-07F	Real-time clock, non-maskable interrupt (NMI)mask
080-09F	DMA page register,
0A0-0BF	Interrupt controller 2 (slave)
0C0-0DF	DMA controller (master)
0F0	Clear math co-processor
0F1	Reset math co-processor
0F8-0FF	Math co-processor
1F0-1F8	1st fixed disk
200-218	Digital inputs, outputs and counter
278-27F	Reserved
2F8-2FF	Serial port 2 (reserved)
380-38F	SDLC, bisynchronous 2
3A0-3AF	Bisynchronous 1
3B0-3BF	Monochrome display
3C0-3CF	Reserved
3D0-3DF	Color/graphics monitor adapter
3F0-3F7	Diskette controller
3F8-3FF	Serial port 1 (reserved)

***Table A.2: UNO-4673A Interrupt Assignment***

<b>Interrupt No.</b>	<b>Interrupt Source</b>
NMI	Parity error detected
IRQ 0	Interval timer
IRQ 1	Keyboard
IRQ 2	Interrupt from controller 2 (cascade)
IRQ 8	Real-time clock
IRQ 11	Reserved for watchdog timer
IRQ 12	PS/2 mouse
IRQ 13	INT from co-processor
IRQ 14	Primary IDE

## A.2 RS-232/422/485 Serial Ports (COM1~COM2)

---



**Table A.3: RS-232 Serial Ports COM1~2**

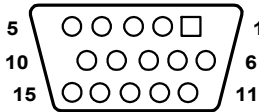
Pin	RS-232	RS-422	RS-485
1	DCD	TX-	DATA-
2	RxD	TX+	DATA+
3	TxD	RX+	
4	DTR	RX-	
5	GND	GND	GND
6	DSR		
7	RTS		
8	CTS		
9	RI		

## A.3 USB Connectors

**Table A.4: USB Connector Pin Assignments**

Pin	Signal name	Cable Color
1	VCC	Red
2	DATA-	White
3	DATA+	Green
4	GND	Black

## A.4 VGA Display Connector



**Table A.5: VGA Adaptor Cable Pin Assignments**

Pin	Signal Name
1	Red
2	Green
3	Blue
4	NC
5	GND
6	GND
7	GND
8	GND
9	NC
10	GND
11	NC
12	NC
13	H-SYNC
14	V-SYNC
15	NC

