

TREK-303

NEW



7" Smart Vehicle Display

Features

- 7" display with touchscreen supports both 480 x 234 and 800 x 480 resolutions for different LCD panels
- -30 to 70° C wide range temperature support
- Five user-defined function keys, 2 watt speaker, and USB host.
- Option to support auto-adjust light sensor
- One cable connects with TREK-5xx series
- Wake up/power button on back for easy to wake up/power up
- CE/FCC/E13 certified



Introduction

The TREK-303 is a vehicle display system for Mobile Resource Management (MRM) applications in trucks, buses and taxis. The TREK-303 touch panel is the perfect size for tight spaces; ideal for fleet management and dispatch applications. It also meets requirements for automotive grade working temperatures (-30 ~ 70° C). TREK-303 provides excellent display capabilities, featuring light-weight housing, compatible with RAM mounting solutions that customers can easily install. TREK-303 supports two display resolutions. The low resolution panel is design compatible with the TREK-510 vehicle computing system; the high resolution panel is design compatible with TREK-550 computing system. TREK-303 is designed with drivers in mind: when the system requires powering up or waking up, it can be easily controlled from the button located in back; and for night driving, the panel has an auto detecting light sensor to automatically adjust brightness. TREK-303 is a smart display designed especially for truck, bus, and taxi drivers.

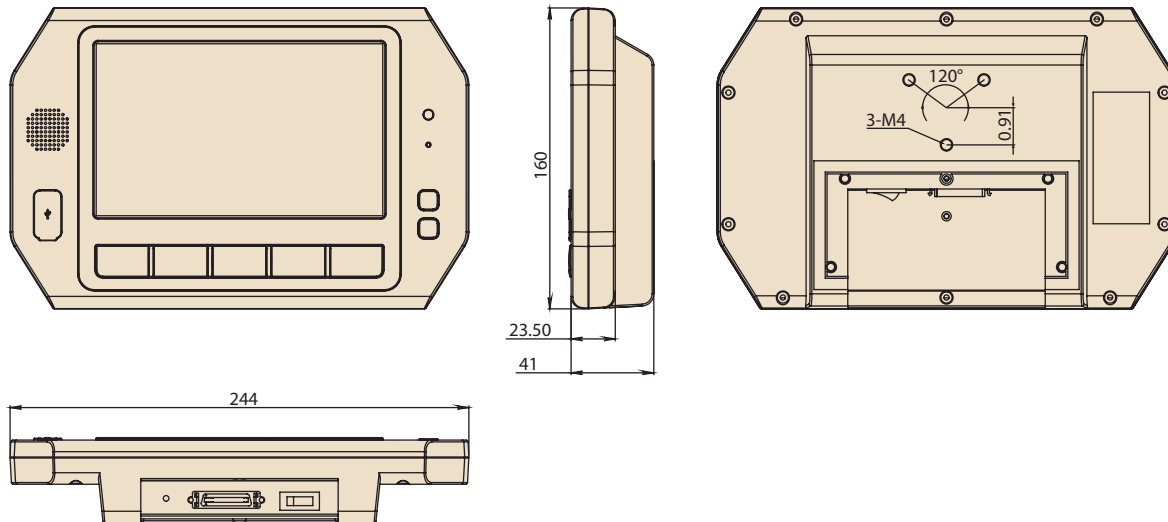
Specifications

LCD	Models	TREK-303R-LA0E	TREK-303R-HA0E
	Design Compatible Models	paired with TREK-510	paired with TREK-550
	Resolution (pixel)	480 x 234	800 x 480
	LVDS interface	supports 18-bit	
	Pixel Pitch	0.321 (W) x 0.370 (H)	0.2168 (H) x 0.2168 (V)
	Brightness (cd/m ²)	450 (typical) with touchscreen	400 (typical) with touchscreen
	View Angle (R/L/B/T)	70° / 70° / 65° / 50°	70° / 70° / 60° / 60°
	Contrast Ratio	200	500
	Lamp Life (hrs)	20,000 (hrs)	50,000 (hrs)
		Lamp Type	LED
Touchscreen	Touchscreen	4-wire resistive	
Front plane	Speaker	2 watts	
	Hotkey	Supports 5 hotkeys (user defined)	
	Brightness Control	Manually controlled by button (default), Light sensing (optional)	
	USB Host	x 1	
Back plane	Power /Wake Up Switch	Yes	
	Reset Button	Yes	
Power	DC Input	12 V +- 5%	
	Power Consumption	-12 W (Max.), -4 W (normal)	-12 W (Max.), -9 W (normal)
Mechanical	Mounting	Design compatible with RAM mount	
	Material	PC	
	Weight	1 kg	
	Dimensions	244 x 160 x 41 mm	
Environment	Operating Temperature	-30 to + 70° C	
	Storage Temperature	-40 to + 80° C	
	Vibration	MIL-STD-810G, SAE J1455 4.9.4.2	
	IP Rating	IP 43 (whole system), IP 54 (without I/O)	

TREK-303

Dimensions

Unit: mm



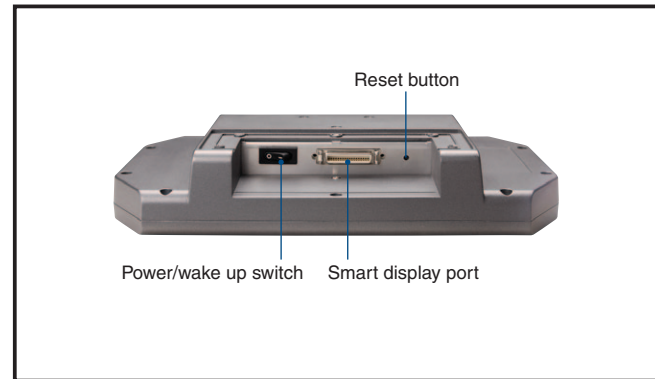
Fully Integrated I/O



- A. USB Host
- B. 5 programmable hotkeys
- C. D. Brightness control
- E. Power LED
- F. Light sensor
- G. Speaker

Note: Backlight off: Press C button to the lowest level

Mounting Kits



- Reset button
- Power/wake up switch
- Smart display port

Ordering Information

Part Number	Description
TREK-303R-LA0E	7" vehicle display system, 480 x 234 resolution, with 4 wire resistive touchscreen, 2-watt speaker
TREK-303R-HA0E	7" vehicle display system, 800 x 480 resolution, with 4wire resistive touchscreen, 2-watt speaker
RAM-MOUNT-02	RAM mount with 1.5" ball, VESA mount base
1700018342	2-meter cable(paired with TREK-5XX)

Packing List

Description	Part Number	Quantity
TREK-303R	-	1
RAM mount screw	1930001722	3