

# TPC-60S

## ARM9 Touch Panel Computer with 5.7" QVGA STN LCD Display



### Features

- Samsung ARM9 processor on board
- 5.7" QVGA color STN LCD
- Super slim and compact design with plastic housing
- Fanless cooling system
- NEMA4/IP65 compliant front panel
- Built-in flash memory and Windows® CE .NET OS
- One CompactFlash® slot
- Automatic data flow control RS-485

### Introduction

The TPC-60S models are compact platforms without redundant functions, which have been designed for small-sized operator interface applications. They have 5.7" STN LCD display which is a cost effective choice for a limited budget. Its RISC kernel, the ARM9 processor, consumes minimum power without sacrificing performance. The TPC-60S has 10/100Base-T Ethernet port offering solid communication ability and comes bundled with a Windows® CE .NET OS that supports Thin-Client solutions. The built-in Windows® CE .NET OS platform lets TPC-60S become an open HMI solution for system integration.

### Specifications

#### General

- **Certifications** BSMI, CCC, CE, FCC, UL
- **Cooling System** Fanless design
- **Dimensions (W x H x D)** 195 x 148 x 44.4 mm (7.68" x 5.83" x 1.75")
- **Enclosure** ABS
- **Mounting** Panel
- **OS Support** Built-in Windows CE .NET
- **Power Consumption** 15 W
- **Power Input** 24 V<sub>DC</sub>
- **Watchdog Timer** Programmable as 250 ms, 500 ms, 1 second
- **Weight (Net)** 0.8 kg (1.76 lb)

#### System Hardware

- **CPU** 266 MHz, ARM9 S3C2410A
- **Expansion Slots** 1 x CompactFlash® slot
- **Graphics Controller** Controlled by CPU
- **LAN** 1 x 10/100Base-T
- **Memory** 64 MB SDRAM on board
- **Serial Ports** 2 x full RS-232  
1 x 4-pin RS-232/RS485
- **Storage** 64 MB Flash memory on board  
1 x CompactFlash® card (option)
- **USB Ports** 2 x USB V1.1 (one host, one client)

#### LCD Display

- **Backlight Life** 40,000 hrs
- **Contrast Ratio** 1 : 35
- **Display Size** 5.7"
- **Display Type** STN LCD
- **Luminance (cd/m<sup>2</sup>)** 201
- **Max. Colors** 256
- **Max. Resolution** 320 x 240
- **Pixel Pitch (HxV)** 0.36 x 0.36 mm
- **Viewing Angle** 110°

#### Touchscreen

- **Type** 4-wire, analog resistive
- **Resolution** 1024 x 1024
- **Light Transmission** Above 75%
- **Lifespan** 10 millions times with a silicone rubber of 8 mm diameter finger

#### Environment

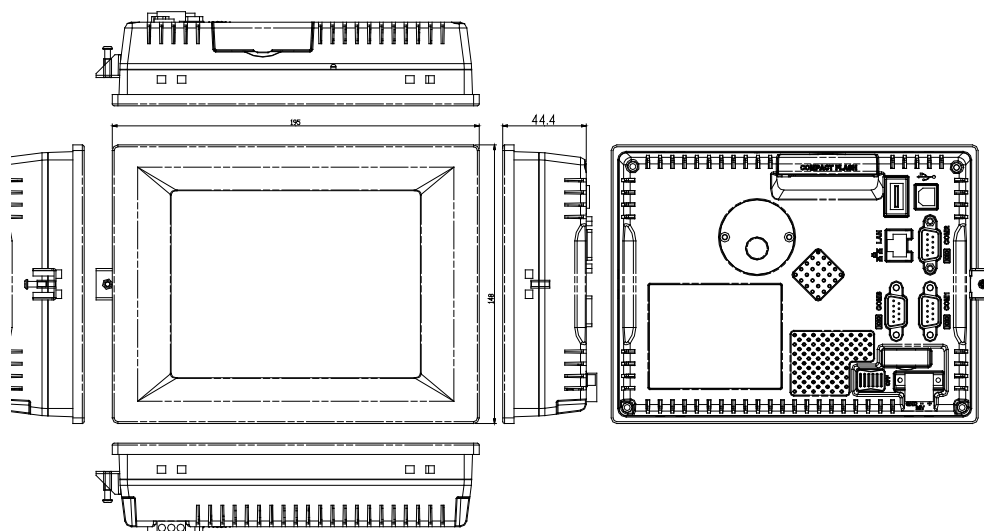
- **Humidity** 10 ~ 95% RH @ 40° C, non-condensing
- **Ingress Protection** Front panel: NEMA4, IP65
- **Operating Temperature** 0 ~ 50° C (32 ~ 122° F)
- **Storing Temperature** -20 ~ 70° C (-4 ~ 158° F)
- **Vibration Protection** 1 Grms (Random, Operating)

### Ordering Information

- **TPC-60SN-E1** 5.7" color STN LCD display touch panel computer with ARM9 266 MHz CPU, 64 MB DRAM/64 MB flash memory on board and Windows® CE .NET OS
- **TPC-60SJ-E1** TPC-60SN-E1 with JVM support
- **TPC-60SC-E1** TPC-60SN-E1 with Simplified Chinese Windows CE .NET OS
- **TPC-60ST-E1** TPC-60SN-E1 with Traditional Chinese Windows CE .NET OS
- **PS-DC24-50** 50 Watts 24 V<sub>DC</sub> output, 110 V/220 V<sub>DC</sub> 50/60 Hz input power adapter
- **TPC-60SE-E1** TPC-60SN-E1 with economic LCD

## Dimensions

Unit: mm



## Rear View

TPC-60SN-E1

