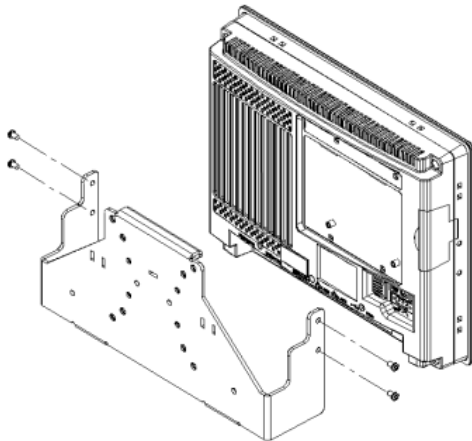


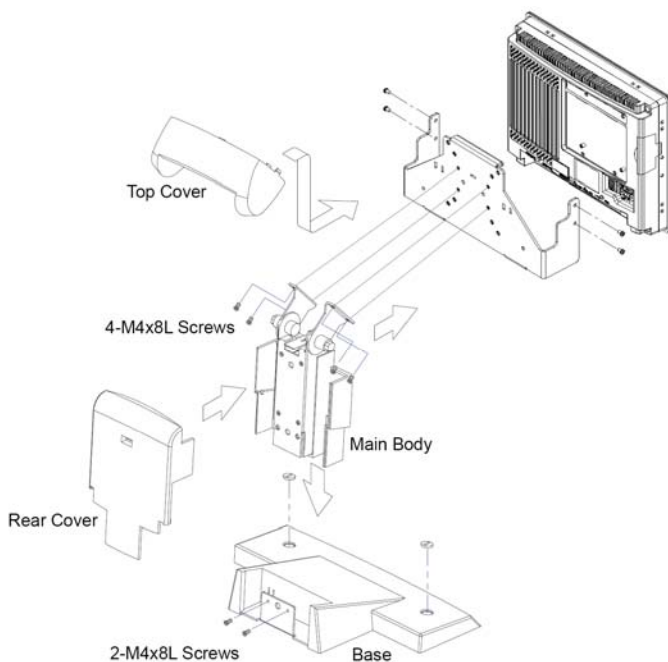
TPC Series Mounting Guide

P/N: 2003177010



Wall Mount Setup

The TPC series wall mount kit is cross-shaped and has several sets of screw holes. Please refer to the arrows shown in the figure on the left to fasten the kit onto the wall, and then fasten the TPC onto the kit.



Desktop Setup

The TPC's customized stand is suitable for desktops and other horizontal locations. A unique spring inside the stand enables the panel PC's vertical tilt to be adjusted by about 30 degrees.

Your desktop stand package should contain:

Main body, holding plate, base, top cover, rear cover, and a packet of screws

Follow these procedures to set up the stand:

1. Attach the arms of the main body of the stand to the holding plate, using the four M4x8L Phillips head screws provided.
2. Slide the main body of the stand into the stand base. The bottom of the main body should slide perfectly into the back plate of the base. Fasten the main body to the base with the two M4x8L Phillips head screws provided.

3. Attach the rear cover of the stand to the main body of the stand by snapping the lugs of the rear cover into the slots of the main body. When the rear cover locks into place, you will hear a click.
4. Attach the top cover of the stand to the holding plate by snapping the lugs of the top cover into the slots of the plate. The cover must be rotated as it is snapped into place. When the top cover locks into place, you will hear a click.
5. Attach the holding plate to the rear cover of the TPC by screwing the Four M4x6L screws.

Note: The base of the stand has two plastic caps. If you pry off the caps, you can attach the stand to your desktop using the two screw holes.