

Installation Options for Panel PCs

(PPC-140/120/102/100/55)



Desktop stand



Swing-arm



Wall mounting



Panel mounting

Introduction

Advantech's panel PCs are the most powerful all-in-one LCD computers available on the market. They have been designed to be slim and compact, to enable them to be installed into all kinds of work environments and applications. The panel PCs can be wall mounted, panel mounted or simply placed on a desktop with an elegant simple stand or a swing-arm stand. Integrated mounting holes and features make any kind of mounting option a breeze.

Panel PCs can fit perfectly in a variety of applications, including:

- Point of information (POI) kiosks
- Clean rooms
- High-level point of sales (POS)
- Industrial and manufacturing
- Restaurants
- Instrumentation and control
- Convenience stores
- Banking
- Hospitals
- Desktops and laptops

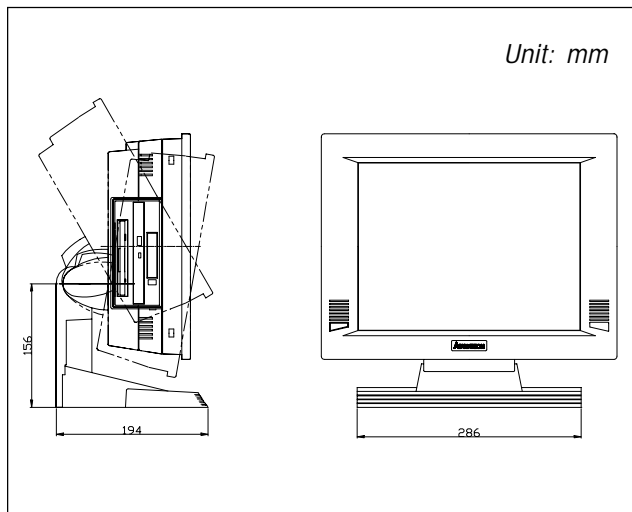
ISO-14000
Certified

PPC-120/140 Installation Specifications

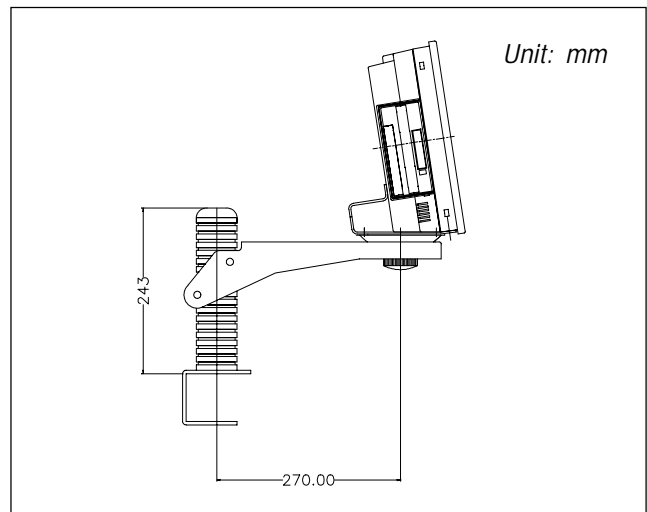
	Desktop Stand	Swing-arm	Wall Mount Kit	Panel Mount Kit
Dimensions (mm)	286 x 156 x 194 (W x H x D)	270 x 243 (R x H)	120 x 153 x 73 (W x H x D)	365 x 274* (W x H)
Weight (kg)	1.7	3.6	2.2	0.1
Rotation#	-10° ~ +30°	-10° ~ +10°	-10° ~ +25°	N/A
Availability	Optional extra	Optional extra	Optional extra	Included in standard purchase of PPC-120/140

* : Cut-out dimensions

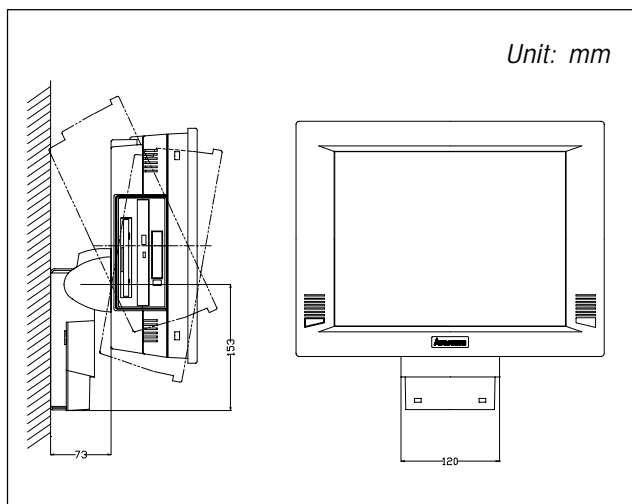
: "+" means counter-clockwise rotation angle; "-" means clockwise rotation angle



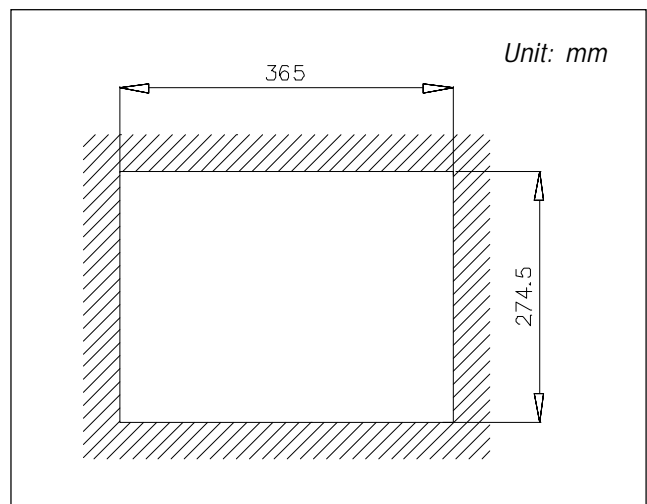
Desktop Stand Dimensions



Swing-arm Dimensions



Wall Mount Dimensions



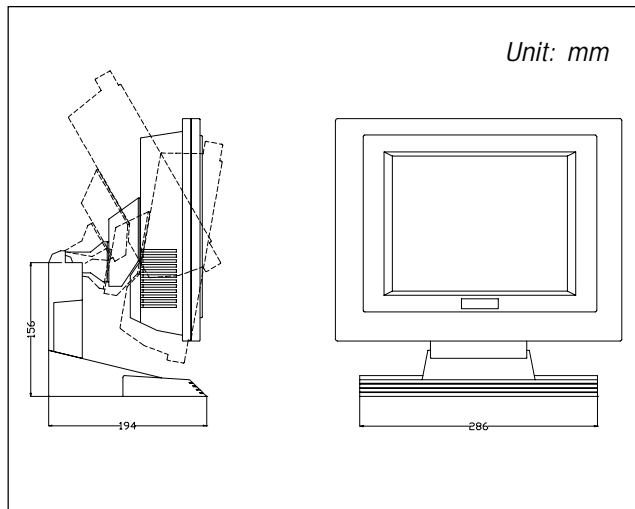
Panel Mount Cut-out Dimensions

PPC-100/102 Installation Specifications

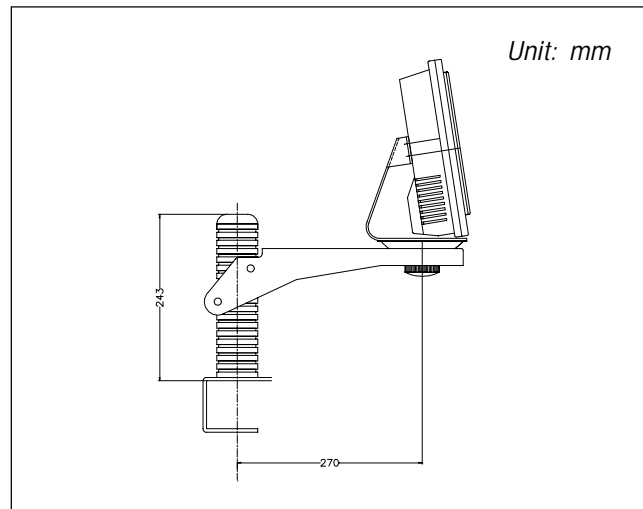
	Desktop Stand	Swing-arm	Wall Mount Kit	Panel Mount Kit
Dimensions (mm)	286 x 156 x 194 (W x H x D)	270 x 243 (R x H)	290 x 110 x 60 (W x H x D)	315 x 247* (W x H)
Weight (kg)	2.0	3.4	0.3	0.1
Rotation#	-10° ~ +30°	-10° ~ +10°	N/A	N/A
Availability	Optional extra	Optional extra	Optional extra	Included in standard purchase of PPC-100/102

* : Cut-out dimensions

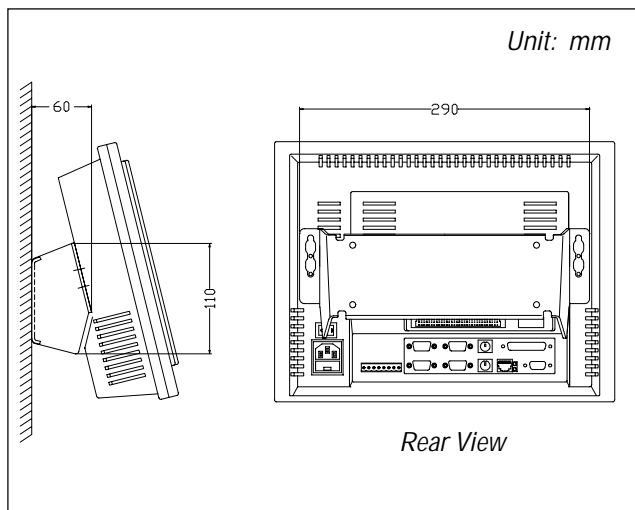
: "+" means counter-clockwise rotation angle; "-" means clockwise rotation angle



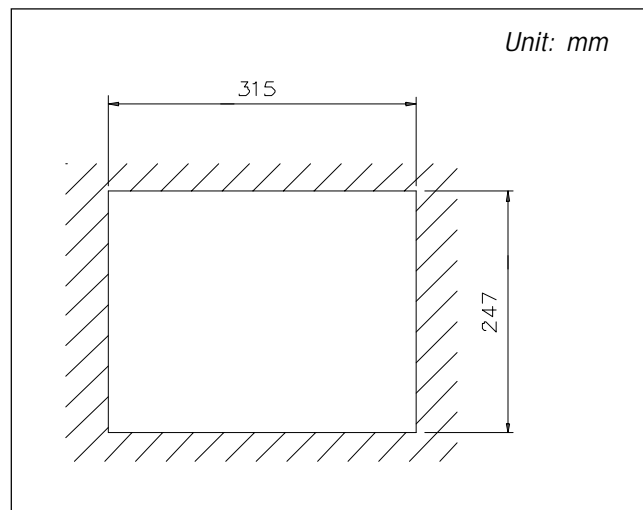
Desktop Stand Dimensions



Swing-arm Dimensions



Wall Mount Dimensions

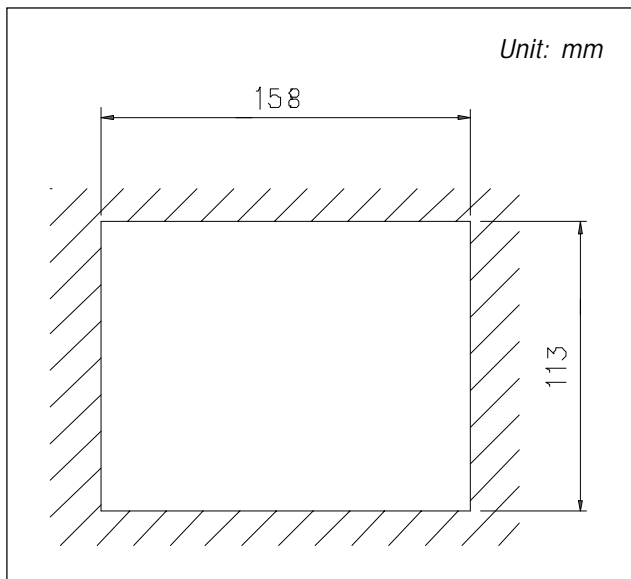


Panel Mount Cut-out Dimensions

PPC-55 Installation Specifications

	Desktop Stand	Swing-arm	Wall Mount Kit	Panel Mount Kit
Dimensions (mm)	N/A	N/A	N/A	158 x 113* (W x H)
Weight (g)	N/A	N/A	N/A	35
Rotation#	N/A	N/A	N/A	N/A
Availability	N/A	N/A	N/A	Included in standard purchase of PPC-55

* : Cut-out dimensions # : "+" means counter-clockwise rotation angle; "-" means clockwise rotation angle



Panel Mount Cut-out Dimensions

Ordering Information

- PPC-120 SWINARM:** Swing-arm for PPC-120/140 series products
- PPC-120 STAND:** Desktop stand for PPC-120/140 series products
- PPC-120 WALL-MT:** Wall mount kit for PPC-120/140 series products
- PPC-100 SWINARM:** Swing-arm for PPC-100/102 series products
- PPC-100 STAND:** Desktop stand for PPC-100/102 series products
- PPC-100 WALL-MT:** Wall mount kit for PPC-100/102 series products

For further information about installation options, please contact our local distributors or sales representatives.