

PPC-L106T

**AMD LX800 processor-based
Panel PC with 10.4" TFT LCD flat
panel display**

User Manual

Copyright

This document is copyrighted, © 2006. All rights are reserved. The original manufacturer reserves the right to make improvements to the products described in this manual at any time without notice.

No part of this manual may be reproduced, copied, translated or transmitted in any form or by any means without the prior written permission of the original manufacturer. Information provided in this manual is intended to be accurate and reliable. However, the original manufacturer assumes no responsibility for its use, nor for any infringements upon the rights of third parties that may result from such use.

Acknowledgements

Award is a trademark of Award Software International, Inc.

AMD is a trademark of Advanced Micro Devices, Inc.

IBM, PC/AT, PS/2 and VGA are trademarks of International Business Machines Corporation.

Intel and Pentium are trademarks of Intel Corporation.

Microsoft Windows® is a registered trademark of Microsoft Corp.

RTL is a trademark of Realtek Semi-Conductor Co., Ltd.

ESS is a trademark of ESS Technology, Inc.

UMC is a trademark of United Microelectronics Corporation.

SMI is a trademark of Silicon Motion, Inc.

Creative is a trademark of Creative Technology Ltd.

All other product names or trademarks are properties of their respective owners.

For more information on this and other Advantech products, please visit our websites at: **<http://www.advantech.com>**

<http://www.advantech.com/ppc>

For technical support and service, please visit our support website at:

<http://support.advantech.com>

This manual is for the PPC-L106T.

Part No. 2006106T00

1st Edition, Printed in Taiwan November, 2006

FCC Class B

This equipment has been tested and found to comply with the limits for a Class B digital device, pursuant to Part 15 of the FCC Rules. These limits are designed to provide reasonable protection against harmful interference when the equipment is operated in a residential environment. This equipment generates, uses and can radiate radio frequency energy. If not installed and used in accordance with this user manual, it may cause harmful interference to radio communications. Note that even when this equipment is installed and used in accordance with this user manual, there is still no guarantee that interference will not occur. If this equipment is believed to be causing harmful interference to radio or television reception, this can be determined by turning the equipment on and off. If interference is occurring, the user is encouraged to try to correct the interference by one or more of the following measures:

- Reorient or relocate the receiving antenna
- Increase the separation between the equipment and the receiver
- Connect the equipment to a power outlet on a circuit different from that to which the receiver is connected
- Consult the dealer or an experienced radio/TV technician for help

Warning!



Any changes or modifications made to the equipment which are not expressly approved by the relevant standards authority could void your authority to operate the equipment.

Packing List

Before you begin installing your card, please make sure that the following materials have been shipped:

- PPC-L106T series panel PC
- Accessories for PPC-L106T
 - Keyboard extension cable (5-pin DIN female to 6-pin PS/2 male)
 - HDD flat cable (44-pin) (8 cm)
 - Power cord (1.8 m) - USA type
 - HDD bracket
 - Driver/Utility CD-ROM disk
 - Screws
 - Warranty card

If any of these items are missing or damaged, contact your distributor or sales representative immediately.

Additional Information and Assistance

Step 1. Visit the Advantech web site at **www.advantech.com** where you can find the latest information about the product.

Step 2. Contact your distributor, sales representative, or Advantech's customer service center for technical support if you need additional assistance. Please have the following information ready before you call:

- Product name and serial number
- Description of your peripheral attachments
- Description of your software (operating system, version, application software, etc.)
- A complete description of the problem
- The exact wording of any error messages

Safety Instructions

1. Please read these safety instructions carefully.
2. Please keep this User Manual for later reference.
3. Please disconnect this equipment from any AC outlet before cleaning. Do not use liquid or spray detergents for cleaning. Use a damp cloth.
4. For pluggable equipment, the socket-outlet must be installed near the equipment and must be easily accessible.
5. Please keep this equipment away from humidity.
6. Put this equipment on a reliable surface during installation. Dropping it or letting it fall could cause damage.
7. The openings on the enclosure are for air convection. Protect the equipment from overheating. **DO NOT COVER THE OPENINGS.**
8. Make sure the voltage of the power source is correct before connecting the equipment to the power outlet.
9. Position the power cord so that people cannot step on it. Do not place anything over the power cord.
10. All cautions and warnings on the equipment should be noted.
11. If the equipment is not used for a long time, disconnect it from the power source to avoid damage by transient overvoltage.
12. Never pour any liquid into an opening. This could cause fire or electrical shock.
13. Never open the equipment. For safety reasons, the equipment should be opened only by qualified service personnel.
14. If one of the following situations arises, get the equipment checked by service personnel:
 - a. The power cord or plug is damaged.
 - b. Liquid has penetrated into the equipment.
 - c. The equipment has been exposed to moisture.
 - d. The equipment does not work well, or you cannot get it to work according to the user manual.
 - e. The equipment has been dropped and damaged.
 - f. The equipment has obvious signs of breakage.
15. **DO NOT LEAVE THIS EQUIPMENT IN AN UNCONTROLLED ENVIRONMENT WHERE THE STORAGE TEMPERATURE MAY GO BELOW -20° C (-4° F) OR ABOVE 60° C (140° F). IT MAY DAMAGE THE EQUIPMENT.**

The sound pressure level at the operator's position according to IEC 704-1:1982 is equal to or less than 70 dB(A).

DISCLAIMER: This set of instructions is supplied according to IEC 704-1. Advantech disclaims all responsibility for the accuracy of any statements contained herein.

Wichtige Sicherheitshinweise

1. Bitte lesen sie Sich diese Hinweise sorgfältig durch.
2. Heben Sie diese Anleitung für den späteren Gebrauch auf.
3. Vor jedem Reinigen ist das Gerät vom Stromnetz zu trennen. Verwenden Sie Keine Flüssig-oder Aerosolreiniger. Am besten dient ein angefeuchtetes Tuch zur Reinigung.
4. Die Netzanschlussteckdose soll nahe dem Gerät angebracht und leicht zugänglich sein.
5. Das Gerät ist vor Feuchtigkeit zu schützen.
6. Bei der Aufstellung des Gerätes ist auf sicheren Stand zu achten. Ein Kippen oder Fallen könnte Verletzungen hervorrufen.
7. Die Belüftungsöffnungen dienen zur Luftzirkulation die das Gerät vor überhitzung schützt. Sorgen Sie dafür, daß diese Öffnungen nicht abgedeckt werden.
8. Beachten Sie beim Anschluß an das Stromnetz die Anschlußwerte.
9. Verlegen Sie die Netzanschlusbleitung so, daß niemand darüber fallen kann. Es sollte auch nichts auf der Leitung abgestellt werden.
10. Alle Hinweise und Warnungen die sich am Geräten befinden sind zu beachten.
11. Wird das Gerät über einen längeren Zeitraum nicht benutzt, sollten Sie es vom Stromnetz trennen. Somit wird im Falle einer Überspannung eine Beschädigung vermieden.
12. Durch die Lüftungsöffnungen dürfen niemals Gegenstände oder Flüssigkeiten in das Gerät gelangen. Dies könnte einen Brand bzw. elektrischen Schlag auslösen.
13. Öffnen Sie niemals das Gerät. Das Gerät darf aus Gründen der elektrischen Sicherheit nur von autorisiertem Servicepersonal geöffnet werden.
14. Wenn folgende Situationen auftreten ist das Gerät vom Stromnetz zu trennen und von einer qualifizierten Servicestelle zu überprüfen:
 - a - Netzkabel oder Netzstecker sind beschädigt.
 - b - Flüssigkeit ist in das Gerät eingedrungen.
 - c - Das Gerät war Feuchtigkeit ausgesetzt.
 - d - Wenn das Gerät nicht der Bedienungsanleitung entsprechend funktioniert oder Sie mit Hilfe dieser Anleitung keine Verbesserung erzielen.
 - e - Das Gerät ist gefallen und/oder das Gehäuse ist beschädigt.
 - f - Wenn das Gerät deutliche Anzeichen eines Defektes aufweist.
15. **VORSICHT:** Explosionsgefahr bei unsachgemäßen Austausch der Batterie. Ersatz nur durch denselben oder einem vom Hersteller empfohlene-mähnlichen Typ. Entsorgung gebrauchter Batterien nach Angaben des Herstellers.

Der arbeitsplatzbezogene Schalldruckpegel nach DIN 45 635 Teil 1000 beträgt 70dB(A) oder weniger.

DISCLAIMER: This set of instructions is supplied according to IEC704-

1. Advantech disclaims all responsibility for the accuracy of any statements contained herein.

Contents

Chapter 1	General Information	2
1.1	Introduction	2
1.2	Specifications	2
1.3	LCD Specifications	5
1.4	Dimensions	6
1.5	I/O Arrangement	7
1.6	Cutout (Suggestion).....	8
1.7	Mounting	9
1.7.1	Panel mounting	9
1.7.2	Desktop stand (optional).....	10
1.7.3	Wall-mounting (optional)	11
Chapter 2	System Setup.....	14
2.1	General	14
2.2	Preparing For First Time Use.....	14
2.3	Installing Options	15
2.3.1	Removing Rear Panel	15
2.3.2	Installing a primary 2.5" HDD (internal).....	16
2.4	Installing I/O Equipment.....	17
2.4.1	PS/2 keyboard and PS/2 mouse	17
2.4.2	Mic-in, line-out	17
2.4.3	External VGA	17
2.4.4	Four serial COM ports	17
2.4.5	Ethernet.....	18
2.4.6	USB ports.....	18
2.5	Installing Software to the HDD.....	18
2.5.1	Method 1: Use the Ethernet	18
2.5.2	Method 2: Use a USB Disk or USB CD-ROM	18
2.5.3	Method 3: Use the COM or parallel port.....	18
2.6	Exploded Diagram.....	19
2.7	PCM-9679 and I/O Adapter Replacement	20
Chapter 3	The Engine of the PPC-L106T (PCM-9679)24	
3.1	Introduction	24
3.2	Features	25
3.3	Jumpers and Connectors.....	26
3.3.1	Setting jumpers	26
3.3.2	Jumpers	27
3.3.3	Connectors	27
3.4	CMOS Clear for External RTC (J3).....	29
3.5	COM Port Interface (J6, J7).....	29

	3.5.1	COM2 RS-232/422/485 setting (J6)	29
	3.5.2	COM3/COM4 pin 9 output setting (J7)	31
Chapter	A	I/O Pin Assignments	42
	A.1	Keyboard connector (CN5-1)	42
	A.2	Mouse connector (CN5-2)	42
	A.3	VGA connector (CN6)	43
	A.4	COM1 RS-232 serial port (CN1-2)	43
	A.5	COM3 RS-232 serial port connector (CN2-1)	44
	A.6	COM4 RS-232 serial port connector (CN2-2)	44
	A.7	COM2 Connector	45
	A.8	Parallel port connector (CN1-1)	46
	A.9	GPIO Connector (Default: No Load)	47
	A.10	USB 3 / USB 4 Connector (Internal)	47
	A.11	SMBUS Connector (Default :No Load)	48

General Information

This chapter gives background information on the PPC-L106T.

Sections include:

- Introduction
- Specifications
- LCD Specifications
- Dimensions
- I/O Arrangement
- Cutout (Suggestion)
- Mounting

Chapter 1 General Information

1.1 Introduction

The PPC-L106T is a 10.4" LCD Panel PC with an AMD LX800 CPU that is designed to serve as a human machine interface (HMI). It is a PC-based system with 10.4" color TFT LCD display, on-board PCI Ethernet, multi-COM port interfaces, and a 16-bit audio controller. This simple, complete, compact and highly integrated multimedia system lets you easily build a panel PC into your applications. By incorporating the PPC-L106T into your project, your product development time will be shortened.

The PPC-L106T is a compact, network-compatible PC with extensive features to control a dedicated system in a wide variety of applications. Common industrial applications include factory automation systems, precision machinery, and production process control. It is also suitable for many nonindustrial applications, including terminal information systems, entertainment management systems, and car park automation systems. Our panel PC is a reliable, cost-effective solution to your application's processing requirements.

1.2 Specifications

General

- **Dimensions** (W x H x D): 342 x 265 x 92.4 mm (13.5"x10.4"x3.6")
- **Weight:** 3.2 kg (7.1 lbs)
- **Power supply:**
AC model: 65 watts
Input voltage: 100 ~ 240Vac, 2A, 50 ~ 60 Hz
Output voltage: +5 V @ 3.5 A, +12 V @ 4 A
- **Safety:** UL/CB/CCC/BSMI approved
- **Disk drive housing:** Space for one internal 2.5" HDD
- **Front panel protection:** IP 65/NEMA 4 compliant

Standard PC functions

- **CPU:** AMD LX800 (500 MHz) processor on board
- **BIOS:** AWARD 4M bit Flash BIOS, supports Plug & Play, APM v1.2
- **Chipset:** AMD CS 5536

- **2nd level cache:** 128 KB on CPU
- **RAM:** One 200-pin SODIMM sockets accept 256 ~ 1024 MB DDR
- **PCI Bus Master IDE interface:** Supports two connectors (one internal, one external). Each connector supports two IDE devices on two channels (PIO modes 3/4). BIOS supports IDE (PIO mode 0~4, DMA mode 0~2, and Ultra DMA33 simultaneously). Default: CF Slot set as Master
- **Parallel port:** One parallel port, supports SPP/EPP/ECP parallel mode.
- **Serial ports:** Four serial ports with three RS-232 ports (COM1, 3, and 4), one RS-232/422/485 port (COM2). All ports with 16C550 compatible UARTs. Default COM4 reserved for Touch
- **USB:** Supports four USB 2.0 (2 x internal, 2 x external)
- **PCI/ISA bus expansion slot:** Accepts either one ISA or one PCI bus card.
- **Watchdog timer:** 256-level interval from 1 to 255 seconds. Jumperless selection and software enabled/disabled.
- **Battery:** 3 V @ 195 mA lithium battery for CMOS backup

Solid State Disk (SSD)

- **One 50-pin socket:** for one CompactFlash™ Type II storage card, shared with one IDE channel.

PCI SVGA/flat panel interface

- **Chipset:** AMD CS 5536
- **Display memory:** 1.5~4 MB share memory
- **Display type:** Simultaneously supports CRT and flat panel displays
- **Display resolution:** Supports non-interlaced CRT and LCD displays up to 800 x 600 @ 256 K colors with 1.5~4 MB shared memory

Audio function:

- **Audio Chipset:** ALC203, fully compliant AC 97 analog I/O component, 16-bit stereo full-duplex codec, audio interface for microphone-in, line-in and speaker out

PCI bus Ethernet interface

- **Ethernet Chipset:** Realtek RTL8100C PCI local bus Ethernet controller fully compliant with IEEE 802.3u 10/100 Base-T specifications.

Touchscreen (optional)*

Type	Analog Resistive	Infrared
Resolution	Continuous	4096 x 4096
Light Transmission	80%	91%
Controller	RS-232 interface (uses COM4)	
Optional USB interface		
Power Consumption	<5 V @ 200 mA	5 V @ 100 mA
Software Driver	Supports Windows CE /XP	Supports Windows CE /XP
Durability (touches in a lifetime)	35 million	100,000 hrs

***Note: The PPC-L106T with the optionally installed touchscreen will share COM4.**

Environment

- **Temperature:** 45° C (32 ~ 125° F)
- **Relative humidity:** 10 ~ 95% @ 40° C, non-condensing
- **Shock:** 10G peak acceleration (11 msec duration)
- **Power MTBF:** 50,000 hrs
- **Certification:** CE, FCC Class B, BSMI, CCC

1.3 LCD Specifications

	Default	Optional
Display type (LCD)	10.4" SVGA TFT	10.4" SVGA TFT
Max. resolution	800 x 600	800 x 600
Colors	262 K colors	262 K colors
View angle	120 / 100	140 / 100
Dot size (mm)	0.264 X 0.264	0.264 X 0.264
Luminance (cd/m²)	230	400
Temperature (°C)	0 ~ 50	0 ~ 50
VR controls	Yes*	Yes*
Simultaneous mode	Yes	Yes
Lamp Life (hrs)	20,000 hours	50,000 hours

* The VR control is defined by hot key in DOS or BIOS mode as follows:
Ctrl-Alt-F3, Ctrl-Alt-F4

1.4 Dimensions

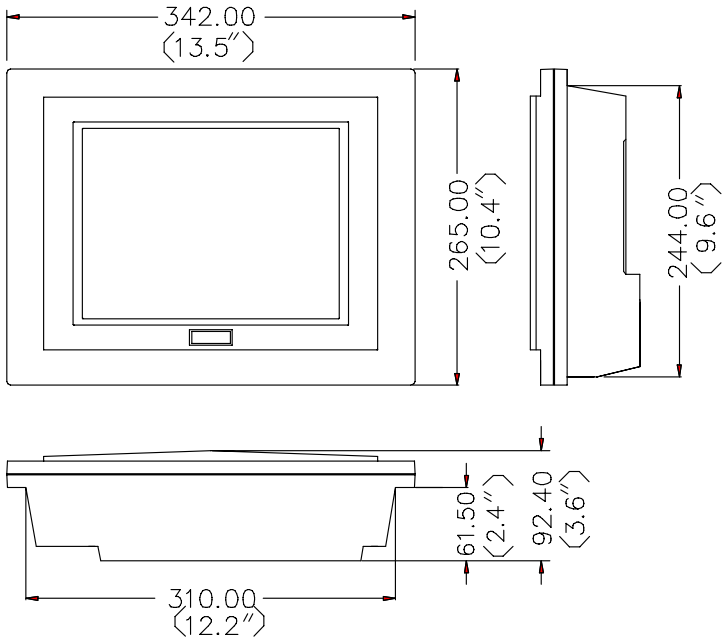


Figure 1.1: PPC-L106T panel PC dimensions

1.5 I/O Arrangement

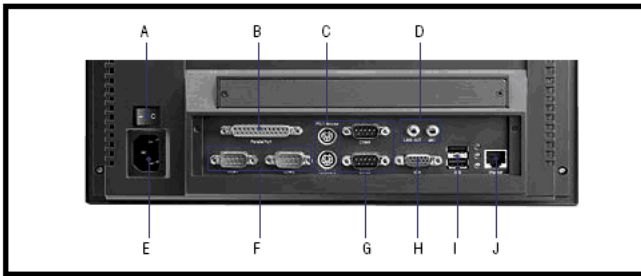


Figure 1.2: PPC-L106T back panel I/O arrangement and cable connections

- | | |
|-------------------------|-------------------|
| A. Power switch | F. COM ports |
| B. Parallel port | G. COM ports |
| C. PS/2 mouse connector | H. VGA port |
| D. Mic-in/Line-out | I. USB ports V2.0 |
| E. AC inlet | J. Ethernet |

* Three RS-232 (COM1, 3, 4) and one RS-232/422/485 (COM2)

1.6 Cutout (Suggestion)

The PPC-L106T will stand on a shelf or a table, or you can mount it into a panel. Cutout panel dimensions are as follows

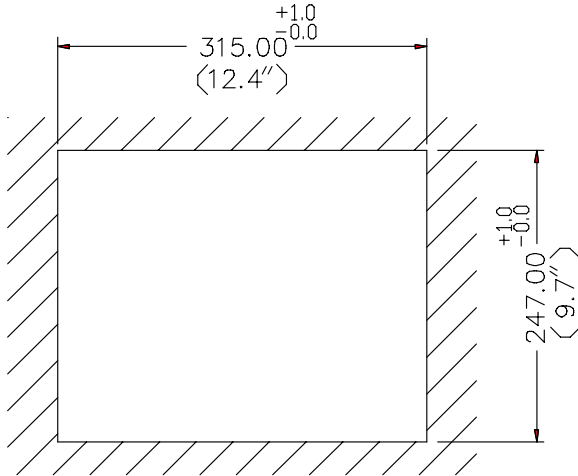


Figure 1.3: PPC-L106T panel mounting cutout dimensions

1.7 Mounting

1.7.1 Panel mounting

If you decide to use a cutout within a panel to mount your PPC-L106T, we have included two panel-mount brackets. The brackets have two screws that fit in the keyhole slots on the panel PC.

Slide the PPC-L106T backwards into the panel opening. Attach the two mounting brackets by sliding the two screw heads into the keyhole slots on the rear cover. Secure the PPC-L106T against the back of the panel opening.

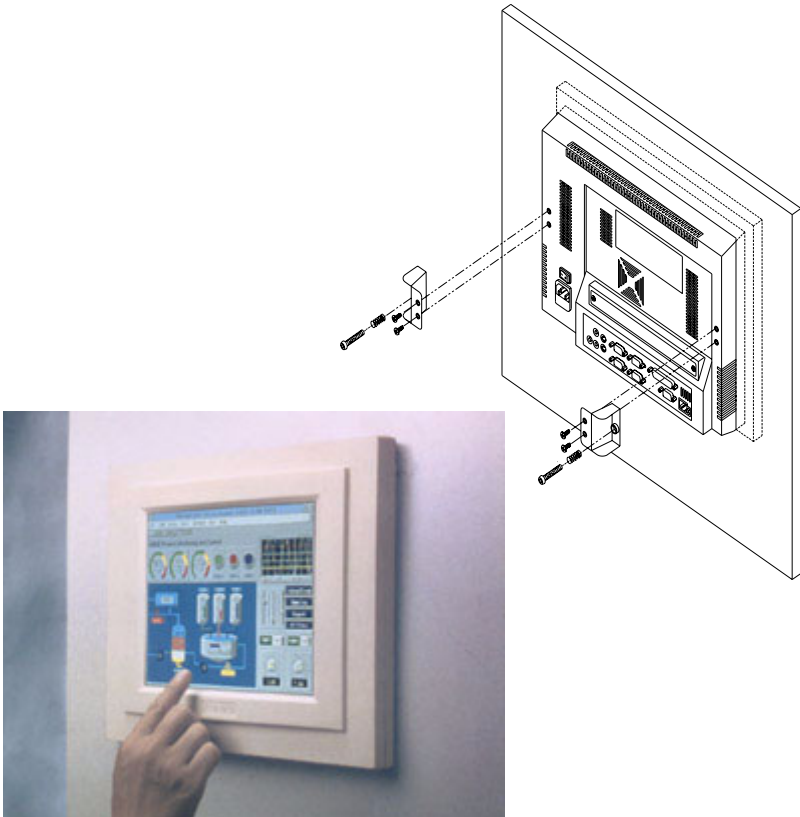


Figure 1.4: PPC-L106T rear panel mounting brackets

1.7.2 Desktop stand (optional)

An optional stand is available for mounting the PPC as a desktop PC. The PPC-L106T slides into the stand and is held in place by the screws provided. The compactness of the desktop-mounted PPC-L106T saves desk space.



Figure 1.5: PPC-L106T desktop stand

1.7.3 Wall-mounting (optional)

An optional wall-mounting attachment is also available for mounting the PPC at approximately 45° to a flat surface. Installation instructions follow:

1. The wall-mounting attachment is comprised of three parts: one back bracket, one support bracket, and one mounting bracket.
2. First attach the back bracket to the rear cover of the PPC-L106T, securing it in place with four of the philips-head screws provided.
3. Using a flat-head screwdriver, attach the support bracket to the back bracket using four of the flat-head screws provided, two on either side of the support bracket. The sides of the support bracket should overlap the sides of the back bracket, and the screws should secure one bracket to the other through the existing holes drilled into each bracket.
4. Mount the mounting bracket on the wall or other flat surface. The support bracket slides vertically from the top into the mounting bracket. It can then be secured to the mounting bracket by screwing one of the philips-head screws provided through the corresponding holes at the tops of the mounting bracket and the support bracket.



Figure 1.6: PPC-L106T wall mounting configuration

System Setup

Sections include:

- General
- Removing Rear Panel
- Installing Options
- Installing I/O Equipment
- Installing Software to the HDD
- Exploded Diagram
- PCM-9679 and I/O Adapter
- Replacement
- Power Supply and Cooling Fan
- Replacement

Chapter 2 System Setup

2.1 General

The PPC-L106T consists of a PC-based industrial computer that is housed in a protective cover. Your HDD, DDR RAM and power supply and are all readily accessible by removing the rear panel. Any maintenance or hardware upgrades can be carried out easily after removing the rear panel.

Warning!



Do not remove the rear cover until you have verified that no power is flowing within the PPC-L106T. Power must be switched off, and the power cord must be disconnected. Every time you service the PPC-L106T, you should be aware of this.

2.2 Preparing For First Time Use

Before you set up the PPC-L106T system, you should have at least the following items ready:

- Power cord (in the accessory box)
- PS/2 keyboard
- PS/2 mouse (for system software installation, i.e. MS Windows, NT, etc.)

2.3 Installing Options

2.3.1 Removing Rear Panel

Unscrew the eleven screws that secure the rear cover, then remove the cover.

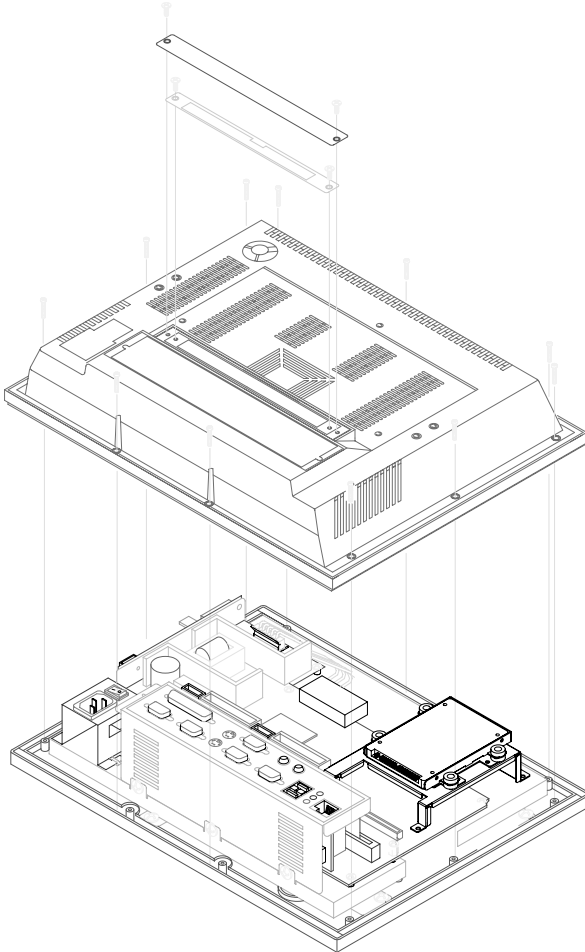


Figure 2.1: Removing the rear panel

2.3.2 Installing a primary 2.5" HDD (internal)

You can attach one enhanced Integrated Device Electronics (IDE) hard disk drive to the PPC-L106T's internal controller which uses a PCI local-bus interface. The advanced IDE controller supports faster data transfer rates and allows the IDE hard drive to exceed 528 MB. The following are instructions for installation:

1. Detach the rear panel and remove.
2. Place the HDD in the appropriate location inside the PPC-L106T, and tighten the screws.
3. Connect the cable included in this package (1x44-pin to 1x44-pin) from the HDD to the PC board (CN9). Make sure that the red/blue wire corresponds to pin 1 on the connector, which is labeled on the board. Plug the other end of the cable into the enhanced IDE hard drive, with pin 1 on the cable corresponding to pin 1 on the hard drive.

Warnings!



(1) Plug the other end of the cable into the HDD, with pin 1 on the cable corresponding to pin 1 on the hard drive. Improper connection will damage the HDD.

(2) Be careful not to damage the CPU board with your tools!

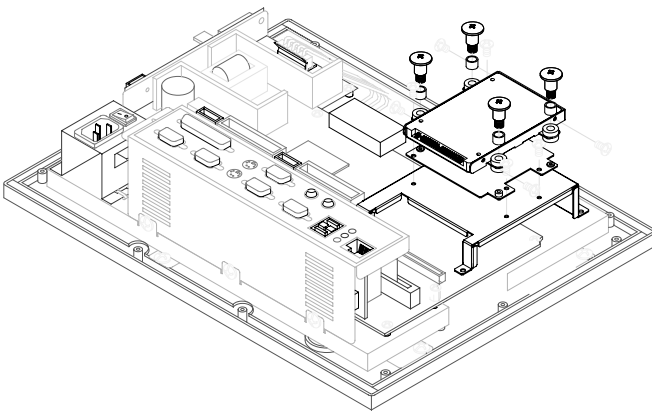


Figure 2.2: Installing a primary 2.5" HDD (internal)

2.4 Installing I/O Equipment

2.4.1 PS/2 keyboard and PS/2 mouse

The PPC-L106T provides a PS/2 keyboard connector that supports a PS/2 style keyboard and a 5-pin DIN keyboard extension cable. In most cases, especially in embedded applications, a keyboard is not used. The standard PC/AT BIOS will report an error or failure during power-on self-test (POST) after a reset if the keyboard is not present. The BIOS standard setup menu allows you to select* "All, But Keyboard" under the "Halt On" selection. This allows no-keyboard operation in embedded system applications without the system halting under POST. Note that the mouse port on the PPC-L106T is a PS/2 mouse port.

Note: "*All but keyboard*" is the default setting.

2.4.2 Mic-in, line-out

The PPC is equipped with a high quality audio interface, which provides 16-bit CD quality recording and playback as well as OPL3 compatible FM music. It is supported by all major operating systems and is completely compatible with Sound Blaster Pro.

The audio interface includes two jacks: microphone-in and line-out (See Fig. 1-2).

2.4.3 External VGA

The PPC-L106T can be connected to an external CRT monitor. To connect an external CRT monitor, connect the monitor's VGA cable to the PPC-L106T's VGA port and connect the monitor's power cable to an AC outlet. The PPC-L106T's external CRT display (VGA) connector is a standard 15-pin D-SUB connector commonly used for VGA.

2.4.4 Four serial COM ports

Many available peripherals, such as a serial mouse or an optional touchscreen, require connection to a serial port. When an optional touchscreen is ordered with a PPC-L106T, it shares COM4, and COM4 is not available as a serial port.

2.4.5 Ethernet

The PPC-L106T is equipped with a high performance 32-bit Ethernet chipset which is fully compliant with the IEEE 802.3 100 Mbps CSMA/CD standards. It is supported by major network operating systems. It is also both 100Base-T and 10Base-T compatible. The medium type can be configured via the RSET8139.EXE program included on the utility disk.

The Ethernet port provides a standard RJ-45 jack. The network boot feature can be utilized by incorporating the boot ROM image files for the appropriate network operating system. The boot ROM BIOS files are combined with system BIOS, which can be enabled/disabled in the BIOS setup.

2.4.6 USB ports

The external USB device may be connected to the system through the 4-pin USB ports located on the rear side of the system unit.

The USB ports support hot plug-in connection. You should install the device driver before you use the device.

2.5 Installing Software to the HDD

Installing software requires an installed HDD. Software can be loaded in the PPC-L106T using any of four methods:

2.5.1 Method 1: Use the Ethernet

You can use the Ethernet port to download software to the HDD.

2.5.2 Method 2: Use a USB Disk or USB CD-ROM

You can use a USB disk or USB CD-ROM to download the software to your HDD.

2.5.3 Method 3: Use the COM or parallel port

Connect another PC to the PPC-L106T with an appropriate cable and transmit the software to the PPC-L106T.

2.6 Exploded Diagram

Figure 2-3 shows all the components and parts that make up the PPC-L106T. Use it as a guide when assembling and disassembling your system.

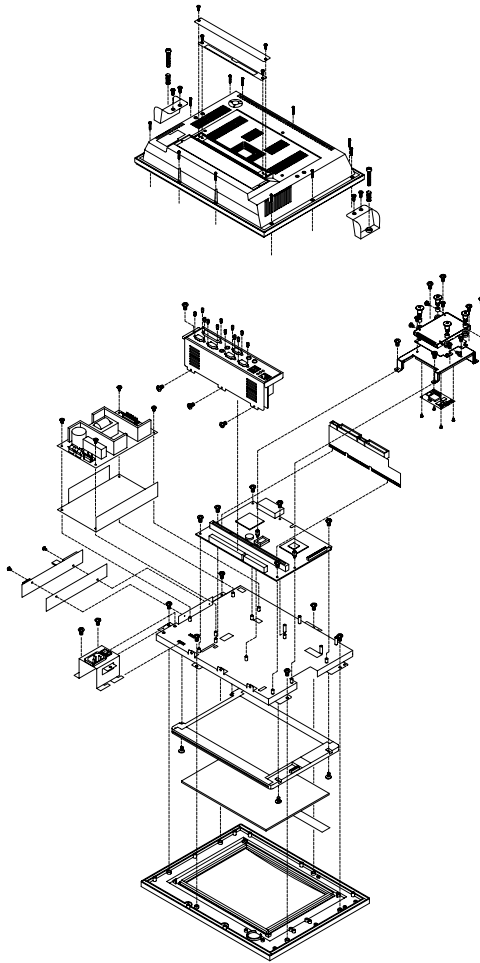


Figure 2.3: PPC-L106T exploded diagram

2.7 PCM-9679 and I/O Adapter Replacement

To replace or service the PCM-9679 (all-in-one CPU board) and I/O adapter, complete the following steps:

1. Turn off the power to the PPC-L106T
2. Remove the rear protective cover (see Figure 2-1)
3. Install the PCM-9679 in the panel and screw in the eight screws (see Figure 2-4)
4. When the PCM-9679 is mounted in the panel, plug and press the adapter into the socket (see Figure 2-4))
5. Some screws on the left connect the I/O adapter to the PC, and also connect the adapter to the PCM-9679. Screw the screws into the panel..

Note: *You may change the jumper settings for RS-232/422/485 before installing the PCM-9679 and I/O adapter*

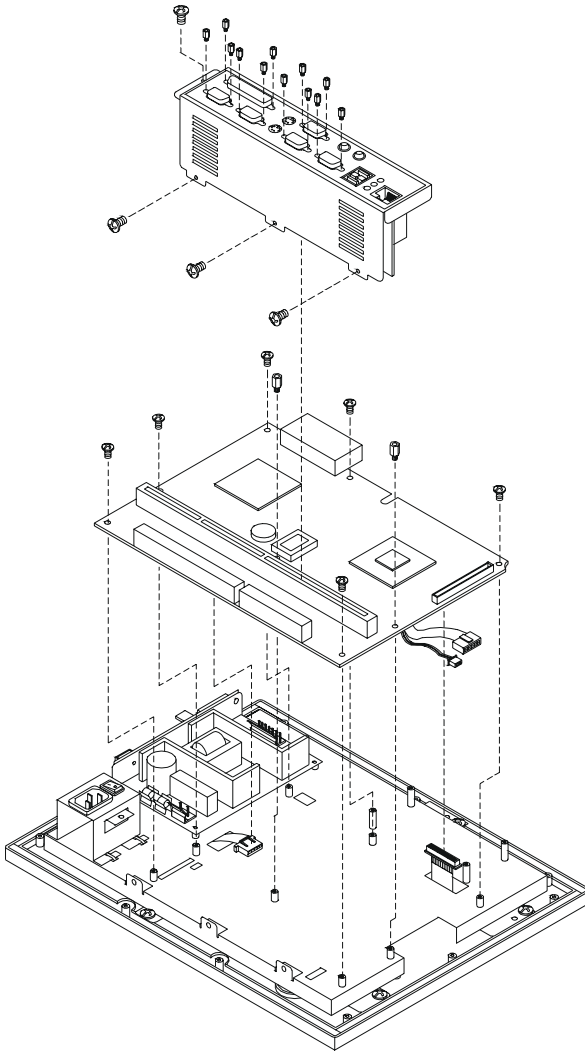


Figure 2.4: Installing/removing the PCM-9679 & I/O adapter

CHAPTER 3

The Engine of the PPC-L106T (PCM-9679)

Sections include:

- Introduction
- Features
- Jumpers and Connectors
- CMOS clear
- Watchdog timer configuration
- COM2 RS-232/422/485setting

Chapter 3 The Engine of the PPC-L106T (PCM-9679)

3.1 Introduction

The PCM-9679 is a highly reliable single board computer based on the AMD LX800 CPU. It offers built-in functionality comparable to a complete industrial PC system, including a VGA/LCD controller, network communications, CompactFlash disk in a small 8" x 5.75" form factor.

For maximum performance, the PPC-L106T also supports a DDR SODIMM socket that can accept up to 1024 MB memory. On-board features include an Ethernet interface, audio interface, socket for CompactFlash card, Enhanced IDE interface that supports the Ultra DMA protocol, one parallel port, four serial ports (RS-232 and RS-232/422/485) with DB-9 connectors, and a mini-DIN PS/2 keyboard/mouse interface. An SVGA/LCD display controller (for LCD and CRT displays) allows LCD screen resolutions up to 800 x 600 @ 256 K colors.

The PCM-9679 complies with the "Green Function" standard and supports three types of power saving features: Normal, Doze and Sleep modes.

The display type configuration is done through software. A single Flash chip holds the system BIOS and the VGA BIOS. This minimizes the number of chips and eases configuration. You can change the display BIOS simply by programming the Flash chip.

Flash memory also offers faster data access and longer MTBF than mechanical disk drives and is an ideal solution for critical commercial or industrial applications. The watchdog timer ensures the system will be reset if it stops due to a program bug or EMI problem.

3.2 Features

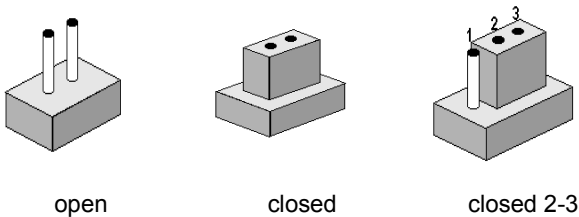
- Ultra-compact size single board computer as small as a 3 1/2" hard disk drive (145 mm x 102 mm)
- On-board AMD LX800 CPU
- Up to 1024 MB system memory via an SODIMM (DDR)
- On-board VGA/LCD controller
- On-board 10/100Base-T Ethernet interface (dual LAN Optional)
- Supports on-board CompactFlash™ socket
- Built-in Enhanced IDE (AT bus) hard disk drive interface
- Four serial ports: three RS-232, one RS-232/422/485 or infrared selectable
- Supports One Mini PCI socket
- Supports 4 USB 2.0 (2 external, 2 internal)
- Supports 8 bit GPIO

3.3 Jumpers and Connectors

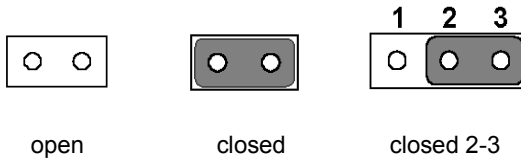
3.3.1 Setting jumpers

You can configure your panel PC to match the needs of your application by setting jumpers. A jumper is the simplest kind of electrical switch. It consists of two metal pins and a small metal clip (often protected by a plastic cover) that slides over the pins to connect them. To “close” a jumper, you connect the pins with the clip. To “open” a jumper you remove the clip. Sometimes a jumper will have three pins, labeled 1, 2, and 3. In this case, you would connect either pins 1 and 2 or pins 2 and 3.

The jumper settings are schematically depicted in this manual as follows:



A pair of needle-nose pliers may be helpful when working with jumpers.



If you have any doubts about the best hardware configuration for your application, contact your local distributor or sales representative before you make any changes.

3.3.2 Jumpers

The table below lists the function of each of the board's jumpers.

Table 3.1: Jumpers and their functions

S1	Reset Button
J2	SMBUS Power Setting
J3	CMOS Clear
J4	AT/ATX Setting
J6	COM2 RS232/422/485 Setting
J7	COM3/4 Pin9 output type setting
BT1	Battery Connector
SLOT1	PCI/ISA bus expansion connector

3.3.3 Connectors

The table below lists the function of each of the board's connectors.

Table 3.2: Panel PC connectors

Label	Function
J1	Inverter power connector
J2	Flat panel display connector
J3	Primary IDE hard drive connector
J4	Keyboard connector
J5	Internal touchscreen connector
CN1	SODIMM socket
CN2	CompactFlash Disk secondary IDE connector
CN3	CD IN
CN4	I/O board connector
CN5	I/O board connector
CN6	Power FAN power connector
CN7	External KBT2
CN8	CPU FAN power connector
CN10	Power Switch
CN20	Speaker and Microphone connector (Reserved)
PS1	Power test connector (Reserved)
JS2	Brightness VR (Reserved)

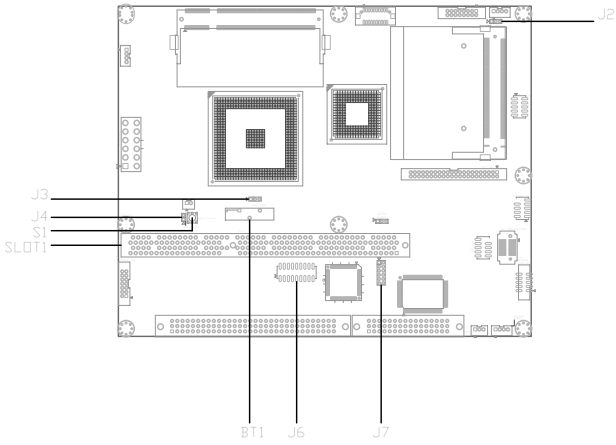


Figure 3.1: Jumpers on the PPC-L106T motherboard

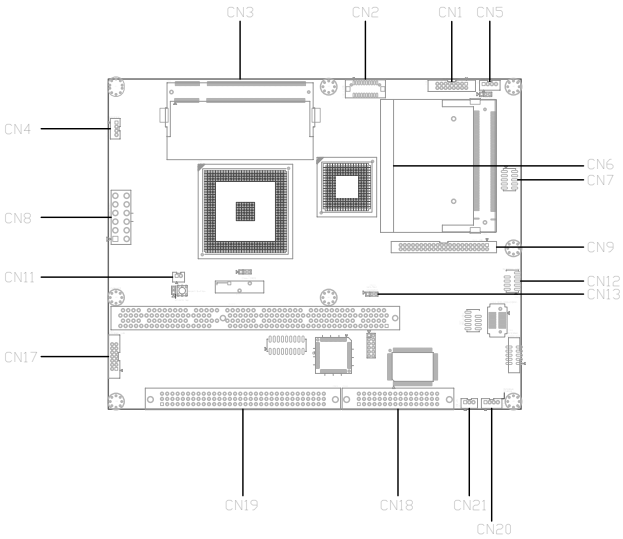


Figure 3.2: Connectors on the PPC-L106T motherboard

3.4 CMOS Clear for External RTC (J3)

Warning! To avoid damaging the computer, always turn off the power supply before setting “Clear CMOS”. Set the jumper back to “Normal operation” before turning on the power supply.

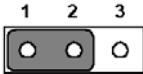
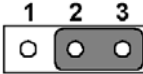


This jumper is used to erase CMOS data and reset system BIOS information.

The procedure for clearing CMOS is:

1. Turn off system.
2. Short pin 2 and pin 3.
3. Return jumper to pins 1 and 2.
4. Turn on the system. The BIOS is now reset to its default setting.

Table 3.3: CMOS clear (J3)

*Normal operation	Clear CMOS
	

* default setting

3.5 COM Port Interface (J6, J7)

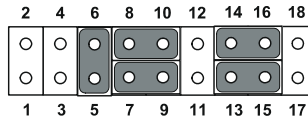
The panel PC provides four serial ports (COM1, 3, 4: RS-232; COM2: RS-232/422/485) in one COM port connector.

3.5.1 COM2 RS-232/422/485 setting (J6)

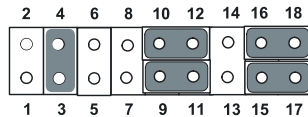
COM2 can be configured to operate in RS-232, RS-422, or RS-485 mode. This is done via J6.

Table 3.4: COM2 RS-232/422/485 setting (J6)

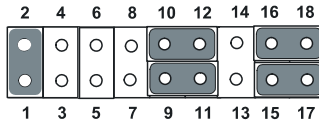
***RS-232**



RS-422



RS-485



* default setting

The IRQ and the address ranges for COM1, 2, 3, and 4 are fixed. However, if you wish to disable the port or change these parameters later you can do this in the system BIOS setup. The table overleaf shows the default settings for the panel PC's serial ports.

COM1 and COM2 are one set. You can exchange the address range and interrupt IRQ of COM1 for the address range and interrupt IRQ of COM2. After exchanging, COM1's address range is 3F8 ~ 3FF and its request IRQ is IRQ4; and COM2's address range is 2F8 ~ 2FF and its interrupt IRQ is IRQ3.

COM3 and COM4 are another set. Their address and IRQ is the same as the COM1/COM2 set

Table 3.5: Serial port default settings

Port	Address Range	Interrupt
COM1	3F8 ~ 3FF	IRQ4
COM2	2F8 ~ 2FF	IRQ3
COM3	3E8 ~ 3EF	IRQ10
COM4	2E8 ~ 2EF	IRQ5

3.5.2 COM3/COM4 pin 9 output setting (J7)

Table 3.6: COM3/4 pin 9 settings (J7)

*Normal operation	+5 V output	+12 V output

*default setting

APPENDIX **A**

I/O Pin Assignments

Sections include:

Chapter A I/O Pin Assignments

A.1 Keyboard connector (CN5-1)

Table A.1: Keyboard connector

Pin	Signal
1	KB_DT
2	N/A
3	GND
4	+5 V
5	KB_CK
6	N/A

A.2 Mouse connector (CN5-2)

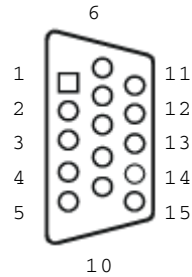
Table A.2: Mouse connector

Pin	Signal
1	MS_DT
2	N/A
3	GND
4	+5 V
5	MS_CK
6	N/A

A.3 VGA connector (CN6)

Table A.3: VGA connector

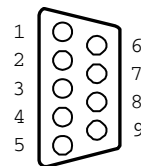
Pin	Signal
1	RED
2	GREEN
3	BLUE
4	N/A
5	GND
6	GND
7	GND
8	GND
9	N/A
10	GND
11	N/A
12	N/A
13	HSYNC
14	VSYNC
15	N/A



A.4 COM1 RS-232 serial port (CN1-2)

Table A.4: COM1 RS-232 serial port

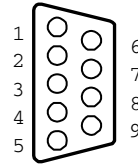
Pin	Signal
1	DCD
2	RxD
3	TxD
4	DTR
5	GND
6	DSR
7	RTS
8	CTS
9	RI



A.5 COM3 RS-232 serial port connector (CN2-1)

Table A.5: COM3 RS-232 serial port

Pin	Signal
1	DCD
2	RxD
3	TxD
4	DTR
5	GND
6	DSR
7	RTS
8	CTS
9	RI



A.6 COM4 RS-232 serial port connector (CN2-2)

Table A.6: COM4 RS-232 serial port

Pin	Signal
1	DCD
2	RxD
3	TxD
4	DTR
5	GND
6	DSR
7	RTS
8	CTS
9	RI

A.7 COM2 Connector

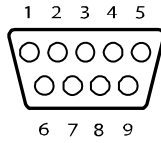


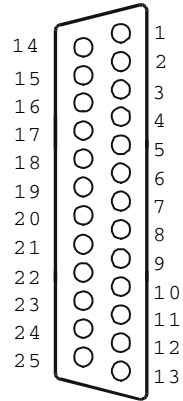
Table A.7: COM2

Pin	RS-232	RS-422	RS-485
1	DCD	TX-	DATA-
2	RX	TX+	DATA+
3	TX	RX+	---
4	DTR	RX-	---
5	GND	GND	---
6	DSR	---	---
7	RTS	---	---
8	CTS	---	---
9	RI	---	---

A.8 Parallel port connector (CN1-1)

Table A.8: Parallel port connector

Pin	Signal
1	STROBE*
2	D0
3	D1
4	D2
5	D3
6	D4
7	D5
8	D6
9	D7
10	ACK*
11	BUSY
12	PE
13	SLCT
14	AUTOFD*
15	ERR*
16	INIT*
17	SLCTINI*
18	GND
19	GND
20	GND
21	GND
22	GND
23	GND
24	GND
25	GND



* active low

A.9 GPIO Connector (Default: No Load)

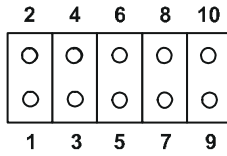


Table A.9: CN7 GPIO

Pin	Signal	Pin	Signal
1	+V5	2	GPIO4
3	GPIO0	4	GPIO5
5	GPIO1	6	GPIO6
7	GPIO2	8	GPIO7
9	GPIO3	10	GND

A.10 USB 3 / USB 4 Connector (Internal)

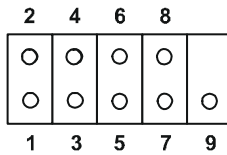


Table A.10: CN12 Internal USB 3 / USB 4

Pin	Signal	Pin	Signal
1	+V5_USB1	2	+V5_USB1
3	USB2_Z_P+	4	USB3_Z_P+
5	USB2_Z_P-	6	USB3_Z_P-
7	GND	8	GND
9	GND		

A.11 SMBUS Connector (Default :No Load)

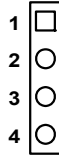


Table A.11: CN5 SMBUS Input

Pin	Signal
1	+V_SMB
2	GND
3	SMB_A_CLK
4	SMB_A_DAT
