

# PPC-57S/M

Mini Panel PC with 5.7"  
QVGA STN/Mono LCD Display



## Introduction

The PPC-57S meets all of the requirements necessary to serve as an industrial class operator interface. This Panel PC provides an all-in-one 386 PC board with 5.7" STN LCD display, on-board VGA, two COM ports (one RS-232, one RS-232/422/485), CompactFlash™ socket, external expansion slot for 16-bit PC/104 and optional for touchscreen. The heart of the PPC-57S is a general purpose, miniature computer that is suitable for a variety of applications.

## Specifications

- **Construction:** Plastic molding, optional metal PC/104 expansion cover
- **CPU with core logic:** Ali M6117C, this is equivalent to a 80386SX CPU
- **BIOS:** AMI 128 KB Flash memory
- **RAM:** One 72-pin SIMM socket, accepts 1, 4, 16 MB FPM or EDO DRAM
- **Disk drive housing:** Supports one CompactFlash™ adapter
- **VGA:** C&T65545 chipset on board with 512 KB DRAM, supports panel resolution up to 640 x 480 @ 256 colors.
- **Ethernet (LAN):** Novell NE-2000 compatible, 10Base-T interface.
- **Multi-mode parallel port:** Configured to LPT1, LPT2, LPT3 or disabled. Supports SPP/EPP/ECP; D-SUB 25-pin connector.
- **Serial ports:** RS-232 x 1, RS-232/422/485 x 1 (DIP switch settings)
- **PS/2 keyboard/mouse connector:** Mini-DIN keyboard connector
- **HDD:** Supports up to two EIDE devices, auto-detect BIOS.
- **Expansion Slot:** Supports up to two cascaded 16-bit PC/104 cards
- **Watchdog timer:** Adjustable period up to 62 seconds
- **Dimensions (W x H x D):** 197.5 x 142.8 x 63.4 mm  
(7.8" x 5.6" x 2.5")
- **Weight:** 1.5 kg (3.3 lbs)

## LCD Display

Model	PPC-57S	PPC-57M
LCD type	5.7" color STN	5.7" Mono
Resolution/colors	320 x 240 @ 256 colors	320 x 240 @ 8 greyscale levels
Pixel pitch (mm)	0.34 x 0.34	
Luminance (cd/m <sup>2</sup> )	110	200
Viewing angle	50°	30°
Temperature	0 ~ 50° C	
LCD MTBF	60,000 hours	
Backlight MTBF	10,000 hours	

## Power Supply

- **Output rating:** 25 W
- **Input voltage:** 18 ~ 30 V<sub>DC</sub>
- **Output voltage:** +5 V @ 4 A, +12 V @ 0.5 A

## Touchscreen

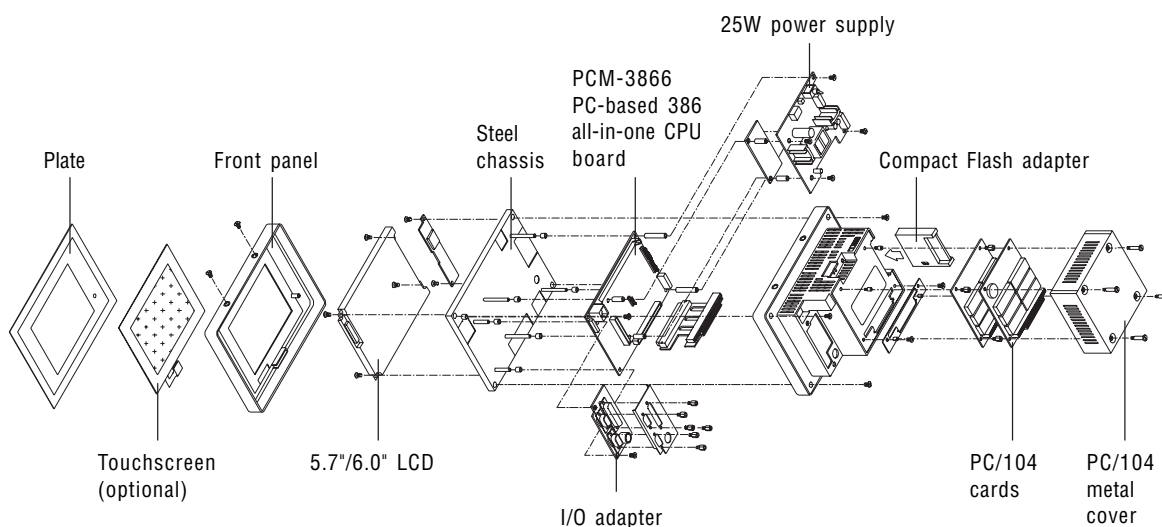
- **Type:** 4-wire resistive
- **Resolution:** 1024 x 1024
- **Lighttransmission:** 75%
- **Interface:** PS/2
- **Software driver:** Supports DOS
- **Lifespan:** More than 3 million touches

## Environmental Specifications

- **Operating temperature:** 0 ~ 45° C (32 ~ 113° F)
- **Relative humidity:** 0 ~ 95% RH (non-condensing),
- **Safety:** Meets UL/CSA
- **FCC Class B, CE approved**
- **Vibration:** 10 ~ 18 Hz, 1.5 mm peak-to-peak displacement  
18 ~ 500 Hz, 1 G acceleration
- **Water resistance:** Front panel meets NEMA 4 or IP 65

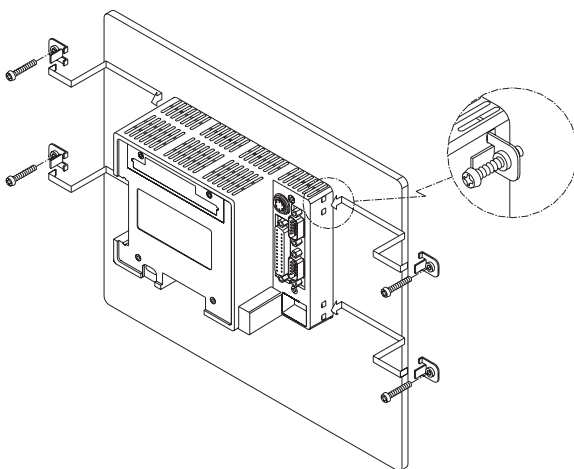


## Exploded Diagram



Note: For the dimensions of the PPC-57S/M please refer to the PPC-60 on page 1-17

## Panel Mounting



## Ordering Information

- ❑ **PPC-57S-SA-T**  
386-based Panel PC with 5.7" QVGA color STN LCD, 16 MB EDO DRAM, CompactFlash™ card adapter and resistive touchscreen
- ❑ **PPC-57M-SA-T**  
386-based Panel PC with 5.7" QVGA Mono LCD, 4 MB EDO DRAM, CompactFlash™ card adapter and resistive touchscreen

## Optional Peripherals

- ❑ **PS-D24-50**  
24 V<sub>DC</sub> / 2.3 A output adapter
- ❑ **PPC-EXP-57**  
Metal cover for 2 layer 16-bit PC/104 expansion device
- ❑ **CF-ADP-57**  
Removable adapter for CompactFlash™ memory