

PPC Installation Accessories



Advantech Panel Computers are perfectly suited to a variety of applications

- Point of information (POI) Kiosks
- Point of Care System Solutions
- High-level Point of Sale (POS) Systems
- Factory and Machinery Automation
- Hospitality Management
- Instrumentation and Control
- Store and Service Automation
- Banking and Finance
- Transportation and Navigation

Introduction

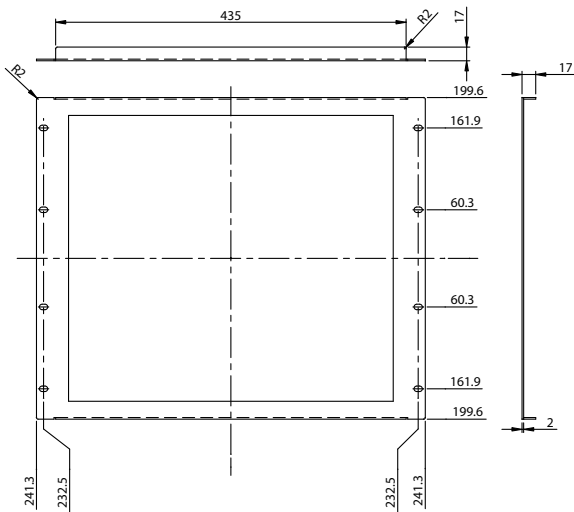
Advantech's Panel Computers are the most powerful all-in-one LCD computers available on the market. They have been designed to be slim and compact, to enable them to be installed into all kinds of work environments and applications. The Panel Computers can be wall mounted, panel mounted or simply placed on a desktop with an elegant stand or a swingarm stand. Integrated mounting holes and features make any kind of mounting option a breeze.



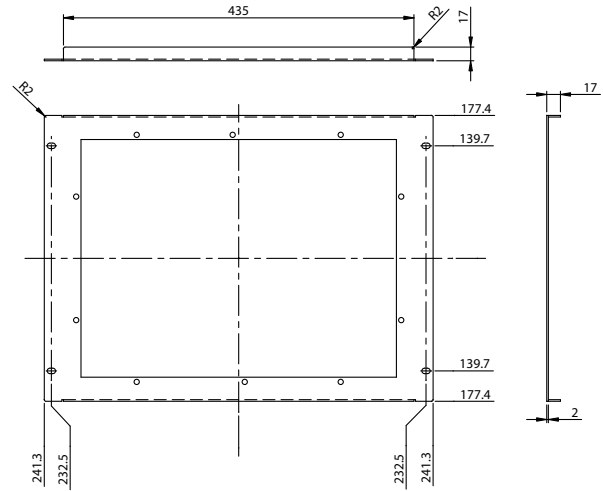
Ordering Information

Part No.	Description
PPC-S153 WL-MT	Wall Mount Kit for PPC-S153 series
PPC-S154 WL-MT	Wall Mount Kit for PPC-S154 series
PPC-S153 STAND	Stand Kit for PPC-S153/S154 series
PPC-S15X STAND-BLK	Black Stand Kit for PPC-S153T/S154T
PPC-150 SWINARM	Swingarm Kit for PPC-153 series
PPC-154 SWINARM	Swingarm Kit for PPC-154 series
PPC-S123 WL-MT	Wall Mount Kit for PPC-S123 series
PPC-S123Rack-MT	19" Rack Mounting Kit for PPC-S123 (6U)
PPC-120 SWINARM	Swingarm Kit for PPC-123/120 series
PPC-120 STAND	Stand Kit for PPC-154/153/123 series
PPC-120STAND-MO	Stand Kit for PPC-154 (black)
PPC-120 WALL-MT	Wall Mount Kit for PPC-154/153 and PPC-123/120 series
PPC-100 SWINARM	Swingarm Kit for PPC-100/103/105
PPC-100 STAND	Stand Kit for PPC-100/103/105
PPC-100 WALL-MT	Wall Mount Kit for PPC-100/103/105
PPC-L126 WL-MT	Wall Mount Kit for PPC-L126T
PPC-L126 STAND	Desktop Stand for PPC-L126T
PPC-L126Rack-MT	19" Rack Mounting Kit for PPC-L126 (7U)
PPC-L60 WL-MT	Wall Mount Kit for PPC-L60 series
PPC-ARM-A03	VESA Standard ARM for PPC series
PPC-ARM-A04	PPC-ARM-A03 with adaptor for PPC-154/153/123
PPC-105 Rack-MT	19" Rack Mounting Kit for PPC-103/PPC-105 (7U)
PPC-123 Rack-MT	19" Rack Mounting Kit for PPC-123 (7U)
PPC-153 Rack-MT	19" Rack Mounting Kit for PPC-153/154 (8U)
PPC-174 RACK-MT	19" Rack Mounting Kit for PPC-174 (9U)
PPC-174 STAND	Stand Kit for PPC-174 series
PPC-174 SWINARM	Swingarm Kit for PPC 174 Series
PPC-174 WL-MT	Wall Mount Kit for PPC-174 series
PPC-174 RACK-MT	19" Rack Mounting kit for PPC-174(9U)

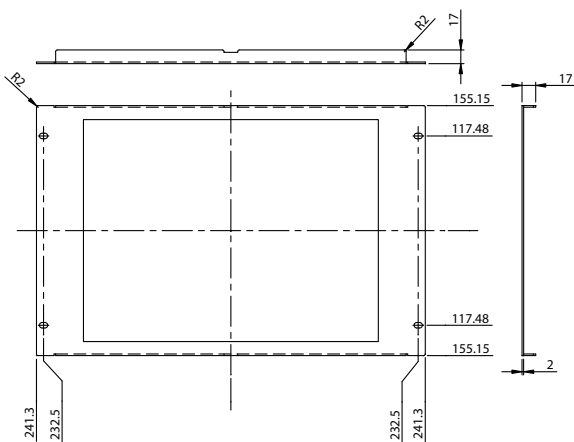
Installation Accessories – Rack Mount Kit for All Panel PC Series



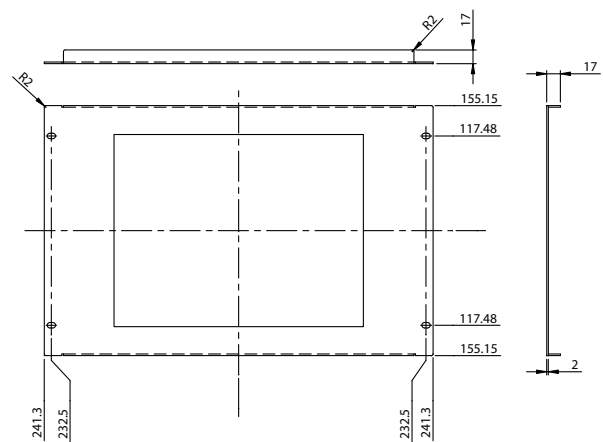
19" Rack plate (9U) for PPC-174



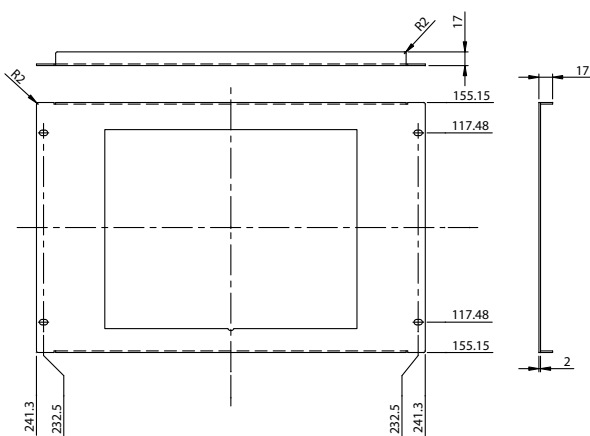
19" Rack plate (8U) for PPC-153/154



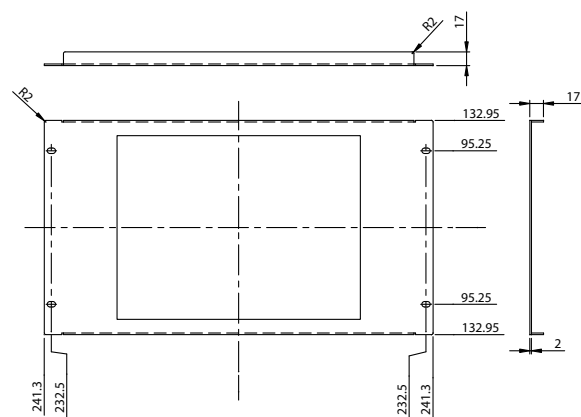
19" Rack plate (7U) for PPC-123



19" Rack plate (7U) for PPC-L126



19" Rack plate (7U) for PPC-103/105

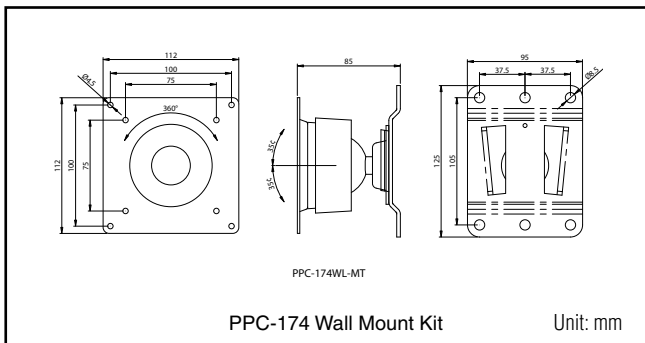
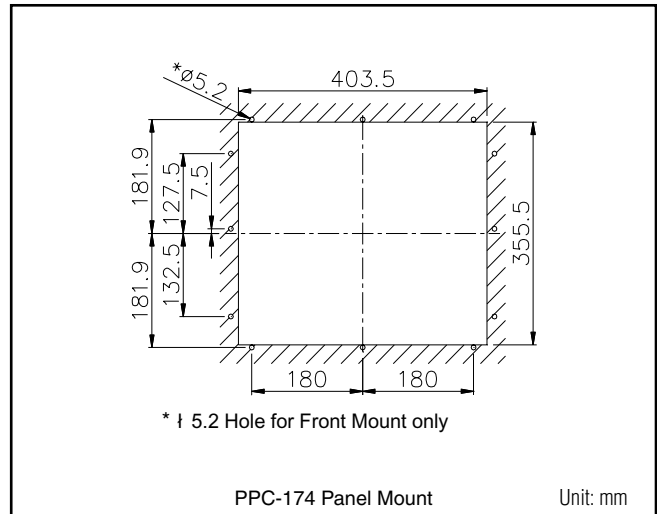
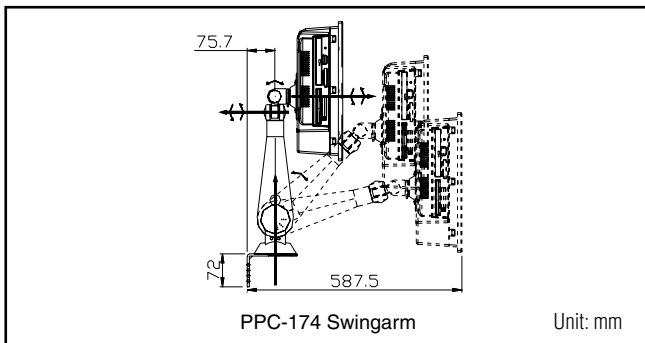
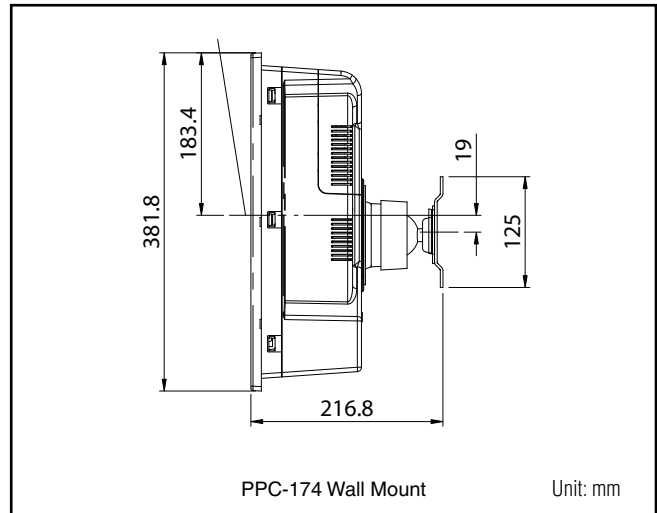
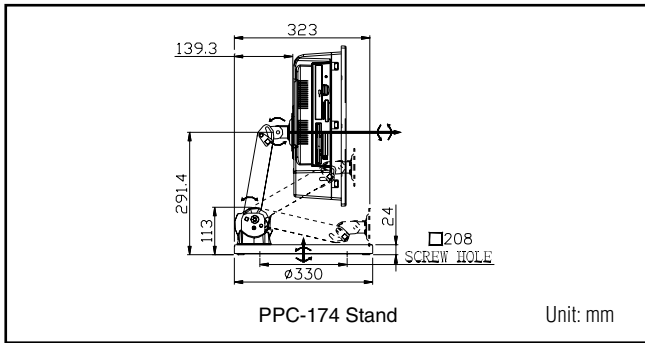


19" Rack plate (6U) for PPC-S123

Installation Accessories – PPC-174 series



Dimensions



PPC-174 Series

	Desktop Stand	Swingarm	Wall Mount	Panel Mount	Rack Mount
Dimensions (mm) (W X H X D)	330 x 291 x 323	120 x 137 x 586.5	92.7 x 90 x 138.2	403.5 x 355.5*	482.6 x 399.2
Weight (KG)	6.5	7	1.05	0.1	0.95
Rotation Range	0 ~ 360	0 ~ 180	0 ~ 270	NA	NA
Part No.	PPC-174 STAND	PPC-174 SWINARM	PPC-174 WL-MT	Included in standard purchase of PPC-174	PPC-174RACK-MT

Installation Accessories – PPC-155/154/153/123 Series



PPC-155/154/153/123 Series

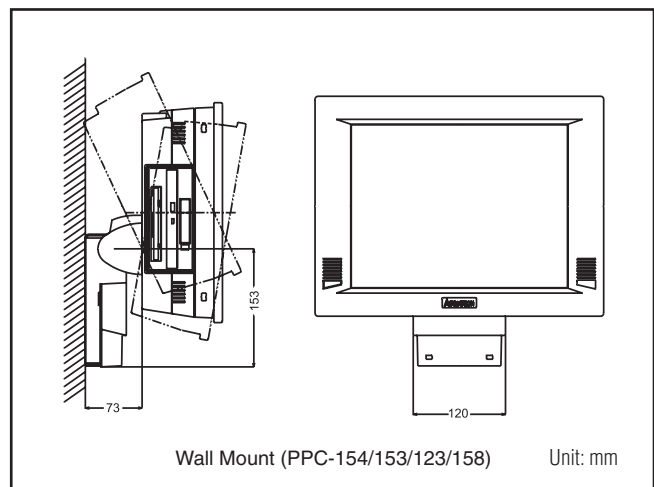
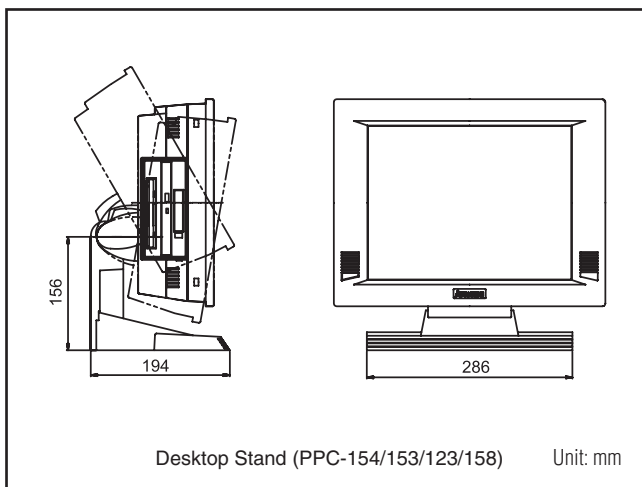
	Desktop Stand	Swingarm			Wall Mount Kit	Panel Mount Kit	
		PPC154/155	PPC-153	PPC-123		PPC-154/153	PPC-123
Dimensions (mm) (W x H x D)	286 x 156 x 194	270 x 243 (R x H)			120 x 153 x 73	392.5 x 296*	365 x 274.5*
Weight (kg)	1.8		4.3	4.05	1.5	0.1	
Rotation Range	-10° ~ +30°	-10° ~ +10°			-10° ~ +25°	N/A	
Part No.	PPC-120 STAND PPC-120STAND-MO	PPC-154 SWINARM	PPC-150 SWINARM	PPC-120 SWINARM	PPC-120 WALL-MT	included in standard purchase of PPC-155/154/153/123 series	
		PPC-ARM-A03	PPC-ARM-A04				

*: Cut-out dimensions

#: "+" means panel up; "-" means panel down

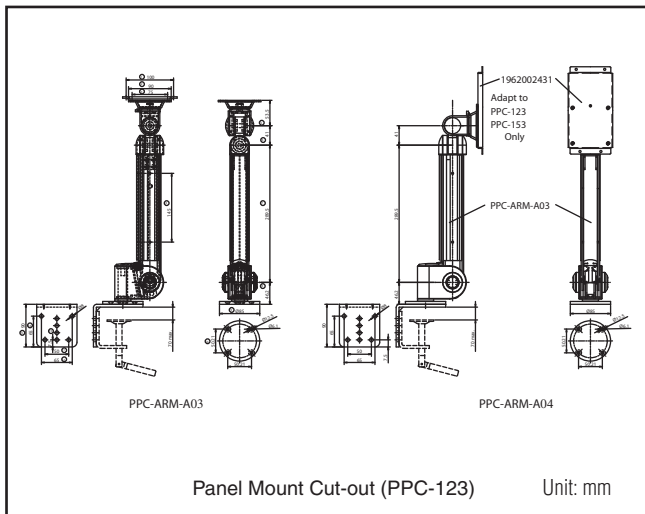
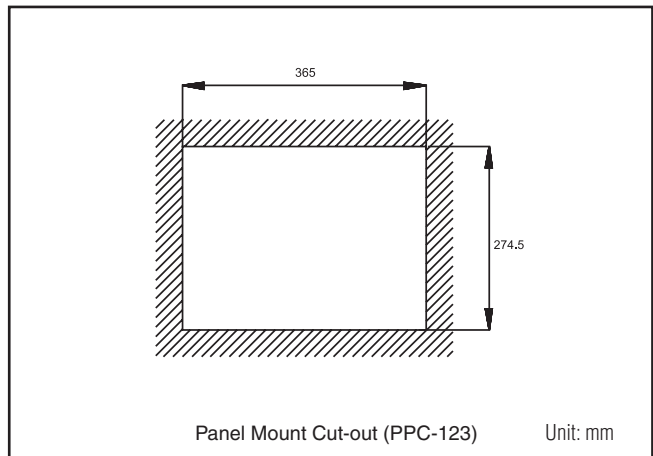
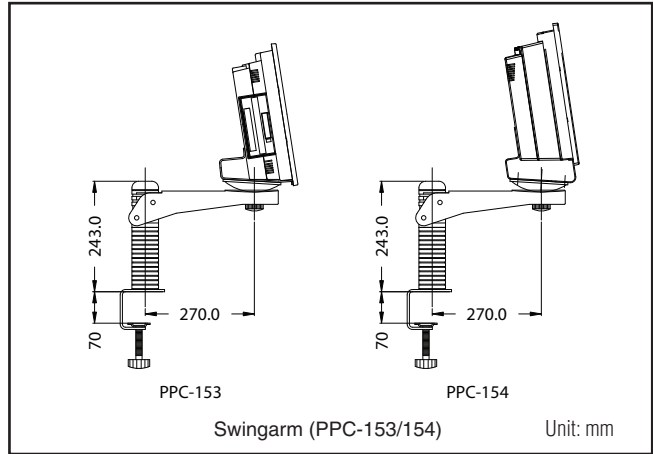
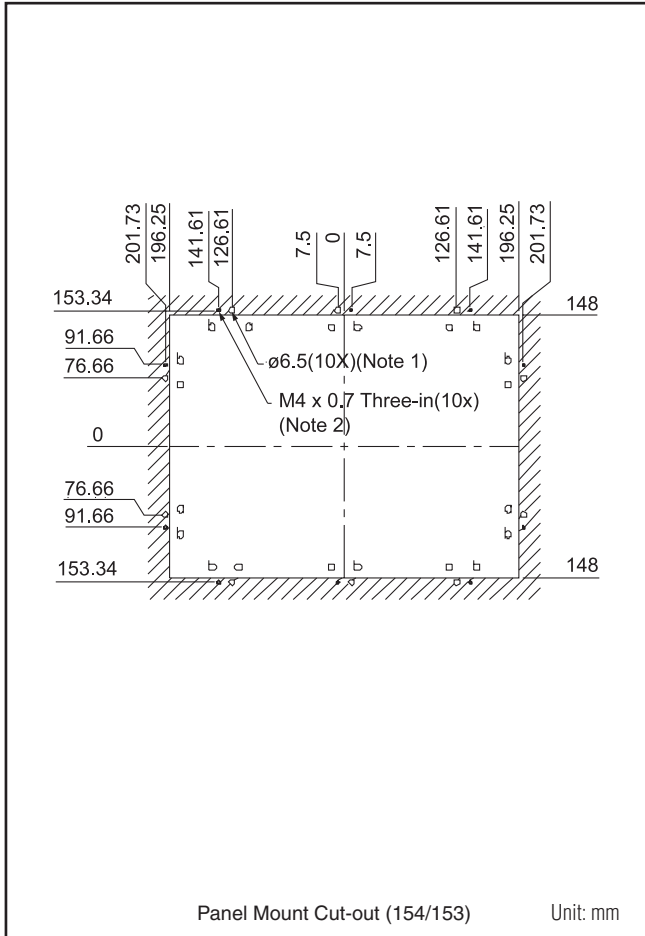
PPC-120STAND-MO is black color

Dimensions



Installation Accessories – PPC-155/154/153/123 Series

Dimensions



Installation Accessories – PPC-103/L106 Series

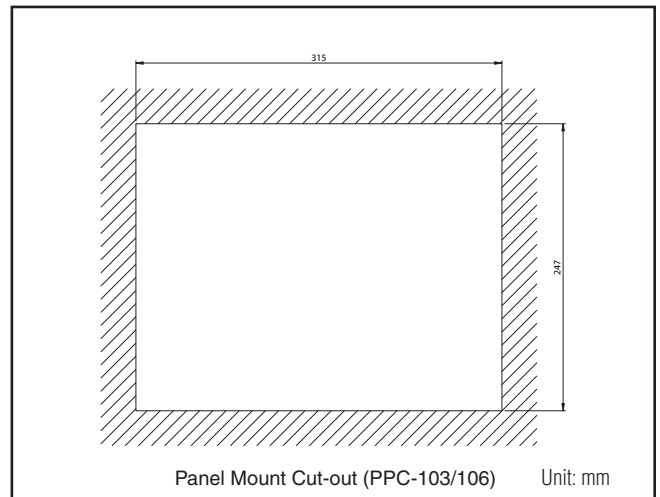
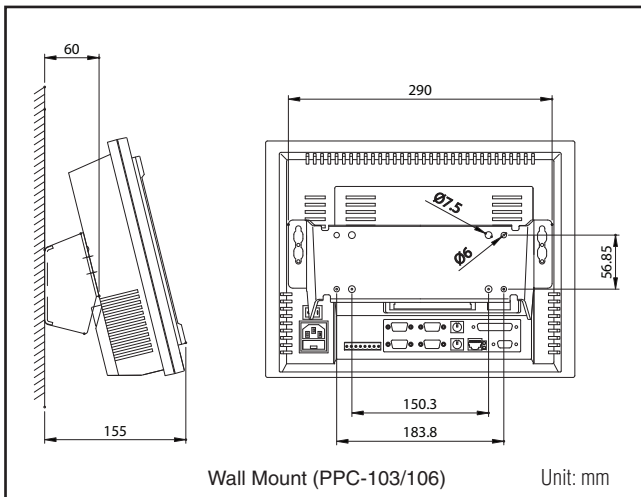
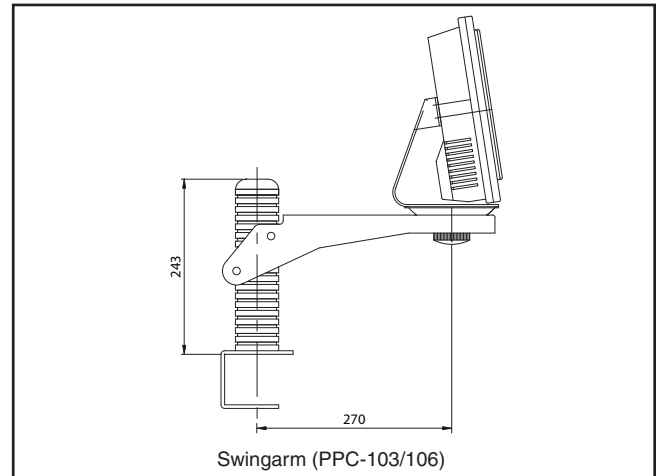
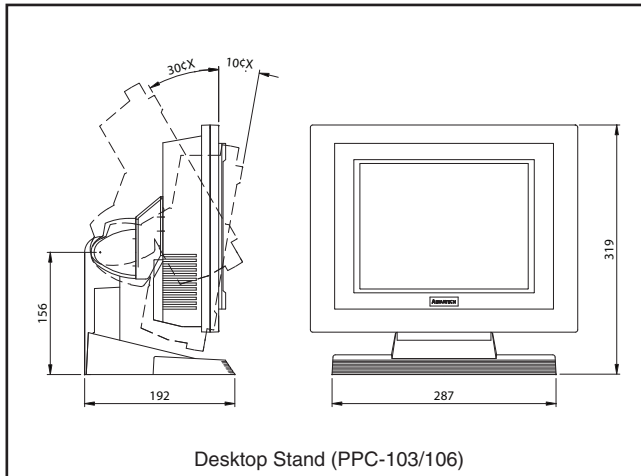


PPC-103/105 Series

	Desktop Stand	Swingarm	Wall Mount Kit	Panel Mount Kit
Dimensions (mm) (W x H x D)	286 x 156 x 194	270 x 243 (R x H)	290 x 110 x 60	315 x 247*
Weight (kg)	2.0	3.4	0.3	0.1
Rotation Range	-10° ~ +30°	-10° ~ +10°	N/A	N/A
Part No.	PPC-100 STAND	PPC-100 SWINARM	PPC-100 WALL-MT	included in standard purchase of PPC-103/105 series

*: Cut-out dimensions
#: "+" means panel up; "-" means panel down

Dimensions



Installation Accessories – PPC-L60T

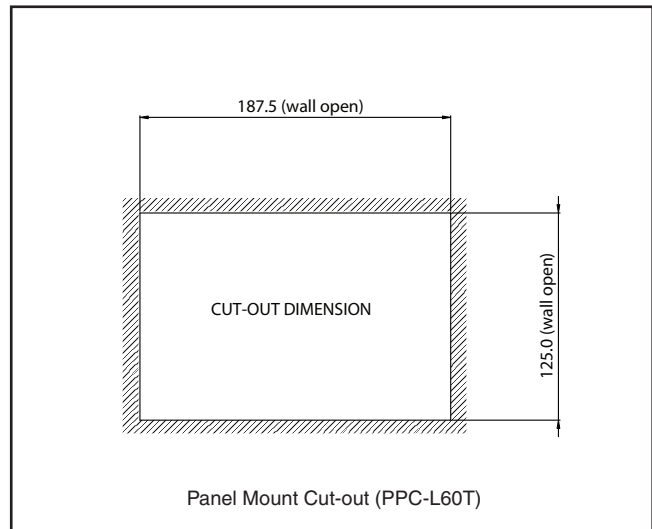
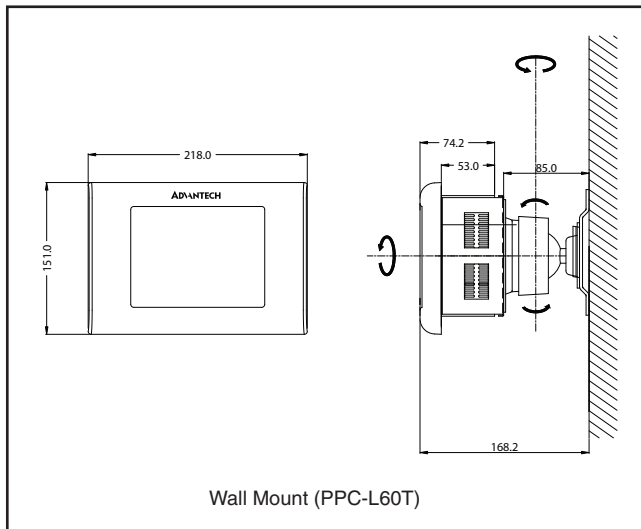


	Wall Mount Kit	Panel Mount Kit
Dimension	125 X 112 X 85	187.5 x 125*
Weight	0.75	0.1
Rotation Range	-17.5 ~ +17.5 (down; up) 360 (Rotation)	N/A
Part NO	PPC-L60 WL-MT	Included in standard purchase of PPC-L60T

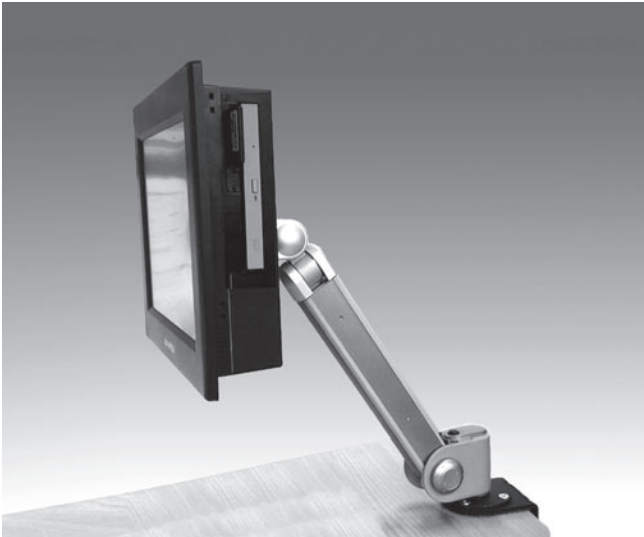
*: Cut-out dimensions

#: "+" means panel up; "-" means panel down

Dimensions



Installation Accessories – PPC-L126/L127



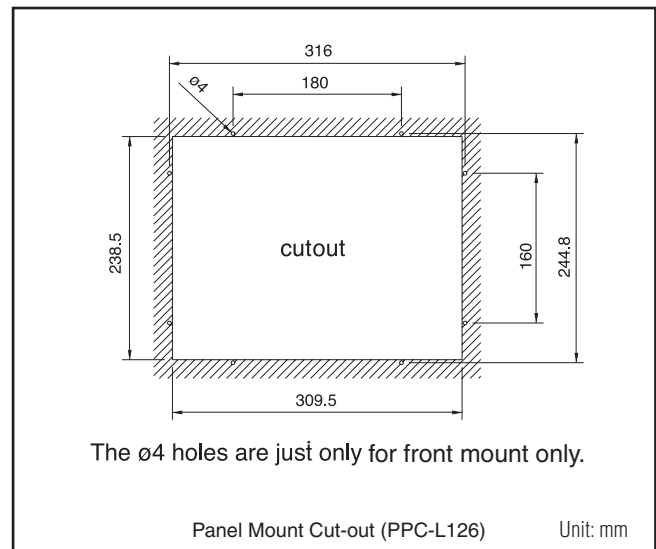
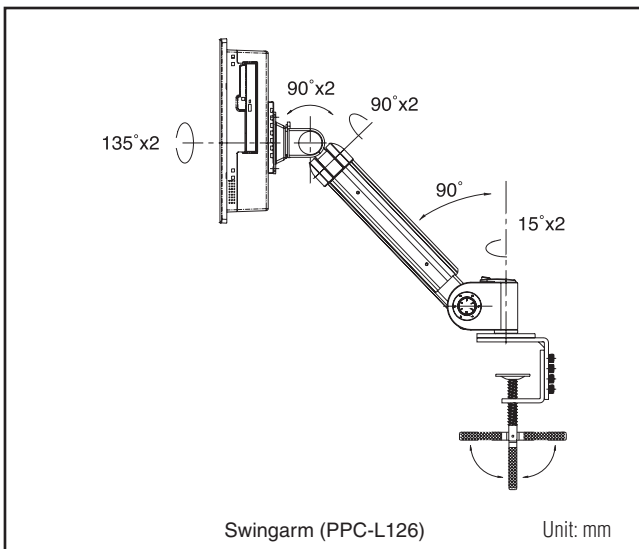
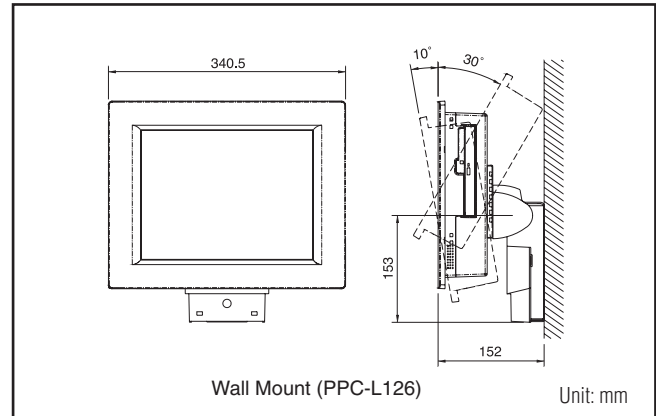
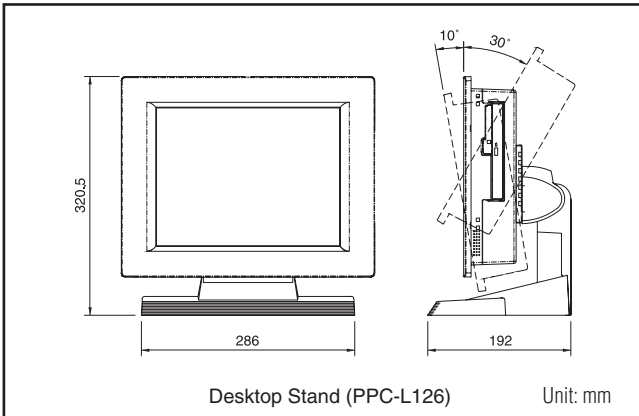
PPC-L126

	Desktop Stand	Swingarm	Wall Mount Kit	Panel Mount Kit
Dimensions (mm) (W x H x D)	286 x 156 x 194	510 x 165 x 85	120 x 153 x 73	309.5 x 238
Weight (kg)	1.8	4.2	1.5	0.1
Rotation Range	-10° ~ +30°	180°	-10° ~ +25°	N/A
Part No.	PPC-L126 STAND	PPC-ARM-A03	PPC-L126 WL-MT	Included in standard purchase of PPC-L126

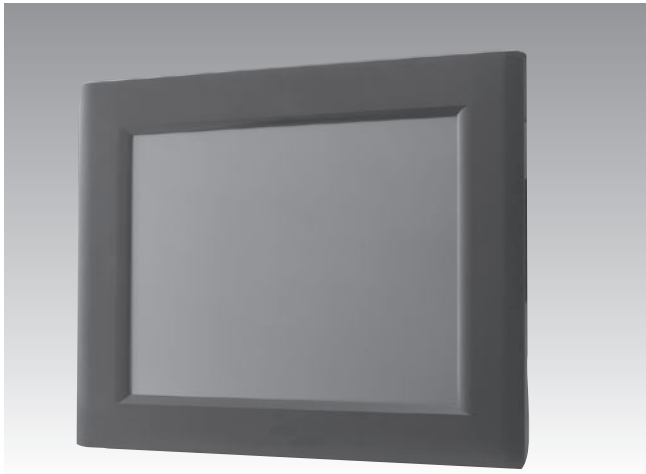
*: Cut-out dimensions

#: "+" means panel up; "-" means panel down

Dimensions



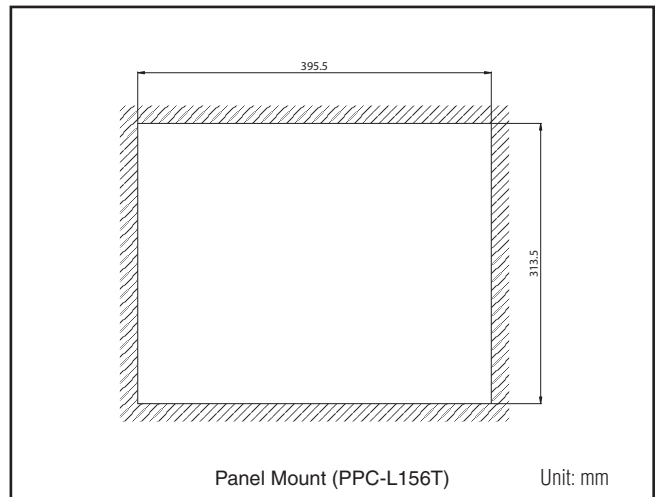
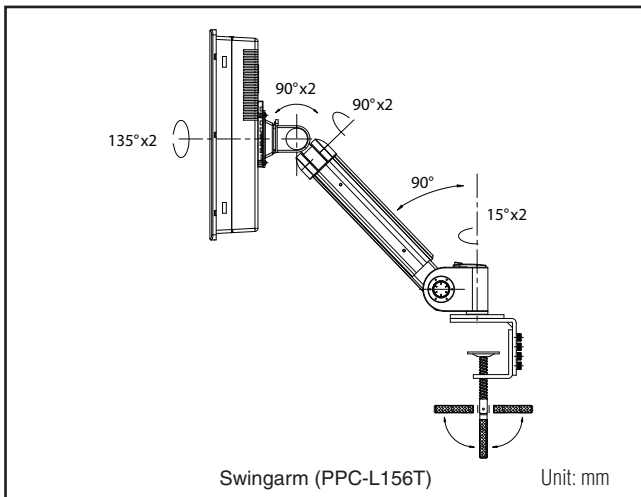
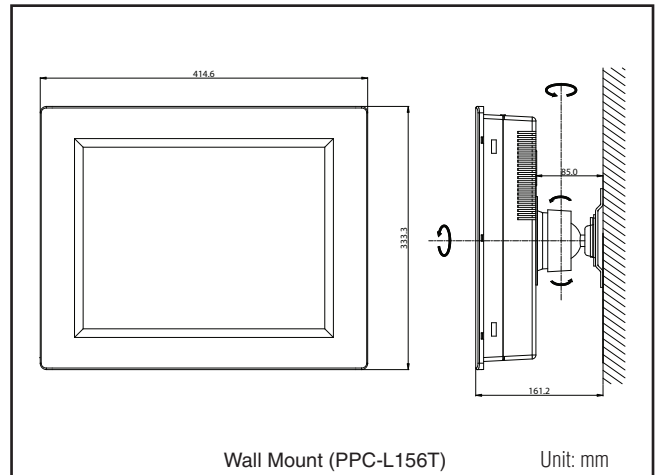
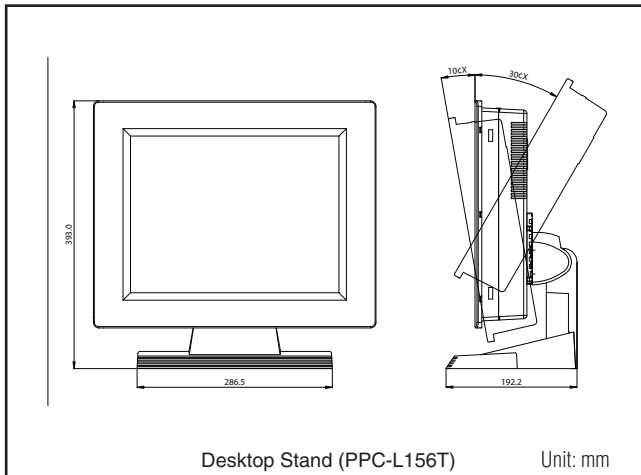
Installation Accessories – PPC-L156T



	Desktop Stand	Swingarm	Wall Mount Kit	Panel Mount Kit
Dimensions (mm) (W x H x D)	286 x 156 x 194	510 x 165 x 85	125 x 112 x 85	395.5 x 313.5
Weight	1.8	4.2	0.75	0.1
Rotation Range	-10 ~ 30 (Up; down)	180	-17.5 ~ 17.5 (Up; down) 360 (Rotation)	N/A
Part number	PPC-S15X Stand-BLK	PPC-ARM-A03	PPC-174 WL-MT	Included in standard purchase of PPC-L156T

*: Cut-out dimensions
#: "+" means panel up; "-" means panel down

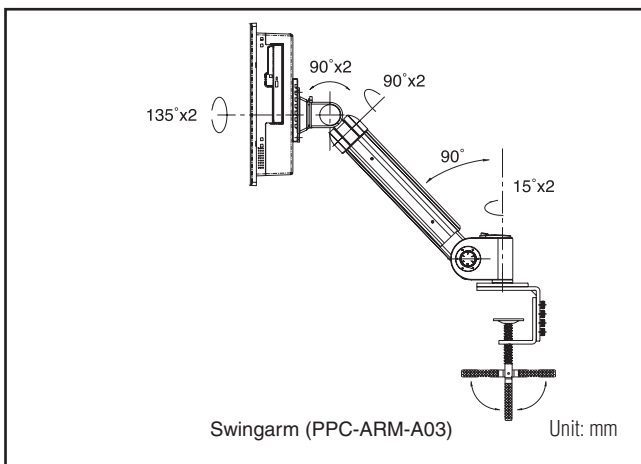
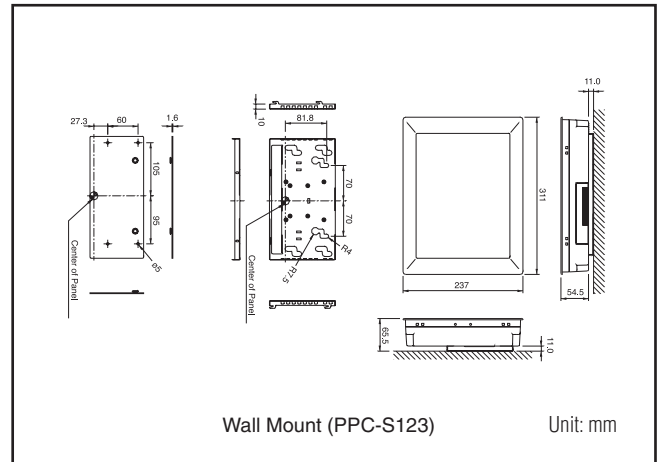
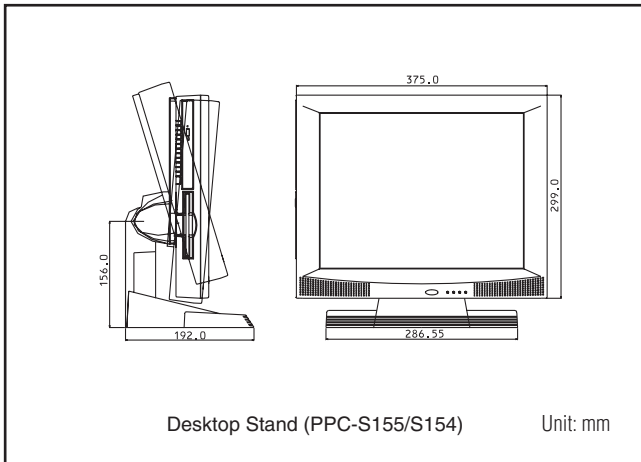
Dimensions



Installation Accessories – PPC-S155/S154/S123 Series



Dimensions



PPC-S155/S154/S123 Series

	Desktop Stand		Wall Mount Kit		Panel Mount Kit	Swingarm	
	PPC-S155/S154	PPC-S155/S154	PPC-S123	PPC-S123	PPC-S123	PPC-S155/S154	PPC-S123
Dimensions (mm) (W x H x D)	286 x 156 x 194	344 x 215.5 x 16	241 x 106 x 16	302 x 228*		510 x 165 x 85	
Weight (kg)	1.8	1.5	1.0	0.1		4.2	
Rotation Range	-10° ~ +30°	N/A	N/A	N/A		180°	
Part No.	PPC-S153 STAND PPC-S15X STAND-BLK	PPC-S154 WL-MT	PPC-S123 WL-MT	Included in standard purchase of PPC-S123 series		PPC-ARM-A03	

*: Cut-out dimensions

#: "+" means panel up; "-" means panel down