

POC-125

12" Point-of-Care Terminal with Fanless Design

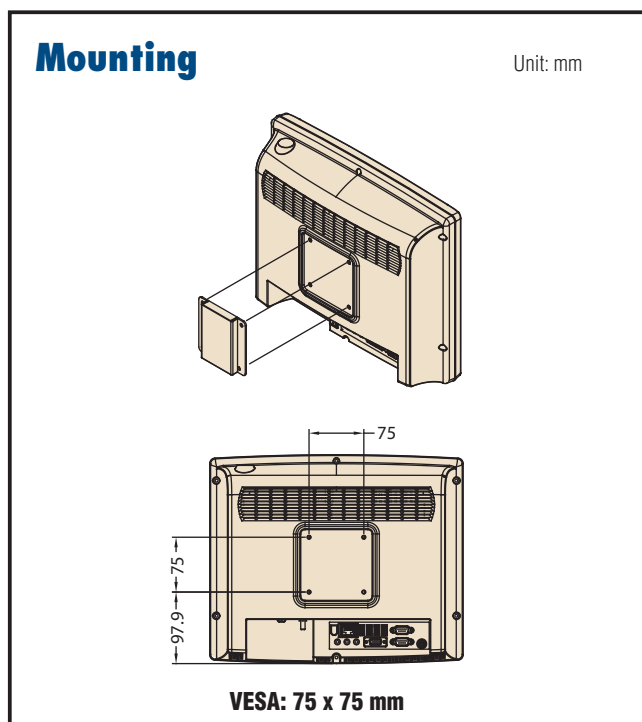
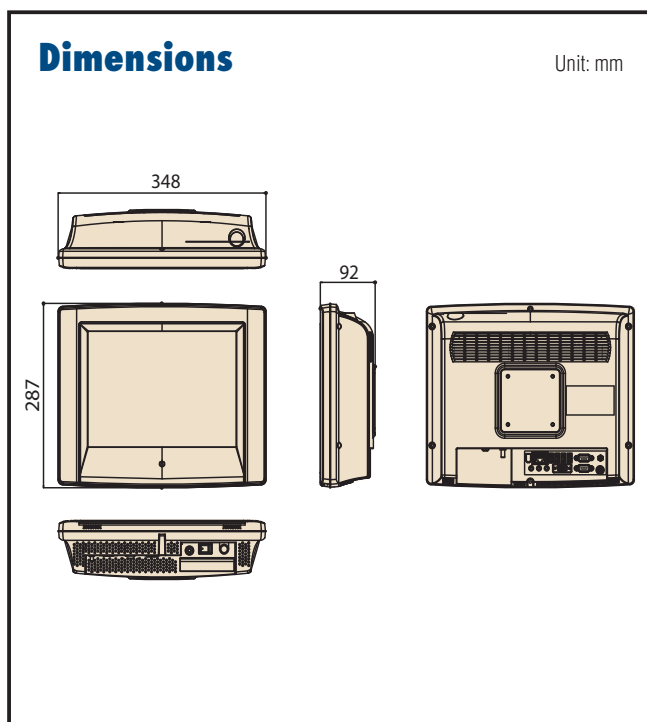


Features

- 12.1" LCD display
- Fanless design with low audible noise
- Isolated design provides unique electric leakage protection for COM ports and LAN ports
- IPX1 water resistant enclosure with additional IP65 dust-tight front panel
- UL60601-1/EN60601-1, CE & FCC Class B certified
- Optional 802.11b/g WLAN module, touchscreen and Li-ion battery pack

Specifications

Computing System	Chipset	855GME GMCH/ICH4
	CPU	Intel Celeron M processor
	Front Side Bus	400 MHz
	Memory	DDR 333 SDRAM, 184 pin DIMM x 2 (max. 2 GB)
Graphics	Controller	855GME GMCH
Expansion Slot	Mini PCI	1 x Mini PCI slot, supports type IIIA Mini PCI
	PCI 2.2	1 x PCI 2.2, accepts low profile PCI Card
Storage	HDD	1 x 2.5" IDE
	CompactFlash	1 x Type I/II
Ethernet	Interface	1 x 10/100 Base-T Ethernet (isolated) interface (isolated)
I/O Ports		1 x RS-232 (isolated) and 1 x RS-232/422/485 (isolated) serial port; 4 x USB 2.0 ports; 1 x IEEE 1394a port 1 x PS/2 mouse and K/B; 1 x D-sub VGA port
Speakers		2 x 1 W speakers; 1 x MIC-in and 1 x Lin-in, 1 x Line-out
Display	Display type	12.1" TFT LCD.
	Max. Resolution	800 x 600
	Max. Colors	262,144 (6 bits/color)
	Dot size (mm)	0.307 x 0.307
	Viewing angle	140/110°
	Luminance	400 cd/m ²
	Contrast ratio	500 : 1
	LCD MTBF	50,000 hours
Power Supply	Backlight lifetime	50,000 hours at 6.5 mA
	Input voltage	10.8-26.4 Vdc, 2A max @ 24 Vdc
	AC/DC Adapter	SINPRO Model: MPU50-108
	Input voltage	100 ~ 240 V _{AC} , 47 ~ 63 Hz, 1.35A max
Optional Touch Screen	Output voltage	24 Vdc, 2.08A max (50 watt)
	Type	Analog Resistive
	Light transmission	75%
	Controller	RS-232 interface (use COM5)
Li-ion Battery (option)	Durability	30 million touches
	Cell Type	Samsung ICR 18650-24 (Total 3 cell, 3S)
	Typical Capacity	2280mAh
	Nominal Voltage	11.1 Vdc
	Supply Current	3A max.
	Weight	150g
	Cycle life	500 cycle rate charge and rates discharge
Charge time (new battery)	7 hours to 100%	
Operating time	30 minutes at 2A output current	



Specifications Cont.

Environment	Temperature	0 ~ 40° C (32 ~ 104° F) (Operating)
	Humidity	10 ~ 95% @ 40° C (non-condensing)
	Shock Resistance	30G peak acceleration (11ms duration)
	Power MTBF	100,000 hrs
	Water/dust Resistance	IPX1 compliant
Physical Characteristics	Dimensions (W x H x D)	348 x 285 x 92 mm (13.70" x 11.22" x 3.62")
	Weight	4.5 kg (9.92 lb)

Ordering Information

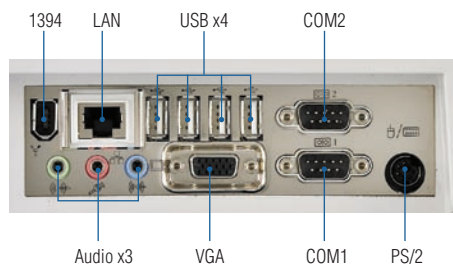
Part Number	Touch Panel	CPU	HDD 24 x 7	RAM
POC-125-060-AE	-	Intel Celeron M 600 MHz	-	-
POC-125-060-ATE	Res.TS	Intel Celeron M 600 MHz	-	-
POC-125-100-AE	-	Intel Celeron M 1 GHz	-	-
POC-125-100-ATE	Res.TS	Intel Celeron M 1 GHz	-	-
POC-125-CTE	Res.TS	Intel Celeron M 600 MHz	80 G IDE	1 GB

Accessories

Part Number	Description
POC-153 STAND	Stand for POC-154/POC-155/POC-125
1760000371	Battery pack for POC-125
1702002600	Power Cable (USA) 1.83M
1702002605	Power Cable (Europe) 1.8M
*	802.11b/g wireless LAN mini-PCI module & external antenna

* means this accessory will go with T Part Number. Please contact Advantech sales for more details.

Package List



Packing List

Part Description	Quantity
CABLE 6P-6P-6P PS/2 KB & MOUSE 20 cm	1
AC 50W SPS MPU50-108 W/PFC 100-240V	1
HDD Frame PPC-V106 for 2.5" HDD	1
CD-ROM for POC-125 Driver & Utility	1
Advantech 2-year warranty card	1