

# PDC-190

## 19" Medical Display with IP65 Front Panel

**NEW**



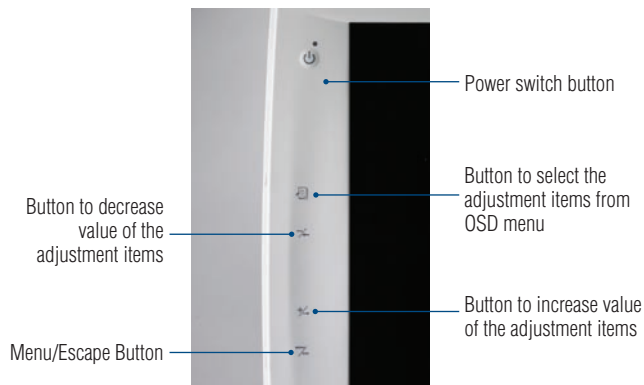
### Features

- 19" LCD display
- DICOM preset function
- IPX1 water resistant enclosure with additional IP65 dust-tight front panel
- High brightness and contrast ratio
- USB 2.0 hub function
- UL60601-1/EN60601-1, CE & FCC Class B certified



### Specifications

Display	Display type	19" TFT LCD
	Max. Resolution	1280 x 1024
	Max. Colors	16.7M
	Dot size (mm)	0.294 x 0.294
	Viewing angle	170/170°
	Luminance	600 cd/m <sup>2</sup> (DICOM preset at 400 cd/m <sup>2</sup> )
	Contrast ratio	1000 : 1
	LCD MTBF	50,000 hours
	Backlight lifetime	50,000 hours
I/O Ports		VGA x 1, DVI-D x 1, Line-in x 1, USB type A x 2, USB type B x 1, DC power connector
Speakers		1 W speakers x 2
Power Supply		Universal AC/DC adapter (SINPRO model no. MPU100-105)
	Input voltage	100 ~ 240 V <sub>AC</sub> , 47 ~ 63 Hz
	Output voltage	+12 V <sub>DC</sub> , 8A max. (100 watts)
Optional Touchscreen	Type	Analog Resistive
	Light transmission	75%
	Controller	USB interface
	Durability	30 million touches
Environment	Temperature	0 ~ 40 °C (Operating)
	Humidity	10 ~ 95% @ 40 °C (non-condensing)
	Vibration /Shock Resistance	5 ~ 500 Hz, 1G acceleration/30G half sine, 11 msec duration
	Water/Dust Resistance	IPX1 for whole system
Physical Characteristics	Dimensions (W x H x D)	472 x 416 x 104 mm (18.56" x 16.38" x 4.13")
	Weight	6.5 kg (14.32 lb)



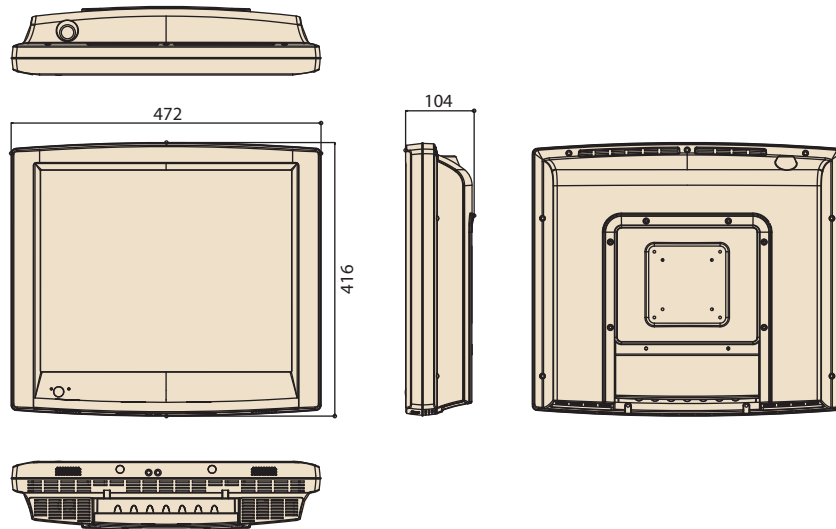
Optional height and angle adjustable stand



Portrait Mode

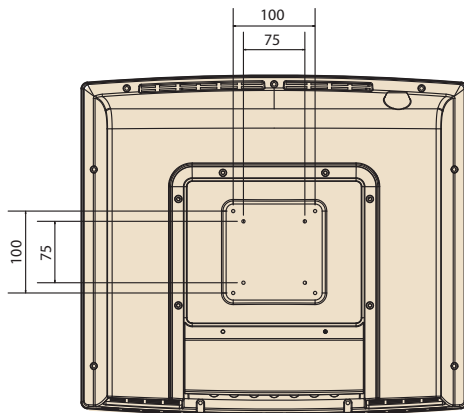
## Dimensions

Unit: mm

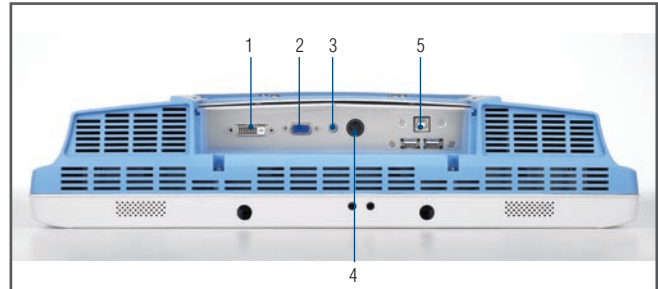


## Mounting

Unit: mm



VESA: 75 x 75 mm ; 100 x 100 mm



1. Digital Video port (DVI-D)
2. Analog Video port (D-Sub VGA)
3. Audio Line in Port (∅3.6 mm)
4. 4-pin mini-DIN DC connector (Pin 1/2: +12V DC, Pin 3/4: signal ground)
5. USB 2.0 Upstream Port x 1 (Type B); Downstream Ports x 2 (Type A)

## Ordering Information

Part Number	Touch Panel	AR Glass
PDC-190E	-	YES
PDC-190-TE	RES.TS	-

## Accessories

Part Number	Description
PDC-190-STAND	Stand for PDC-190 Medical Display
*	Trim Knob for PDC-190 via USB

\*means this accessory will go with T Part Number. Please contact Advantech sales for more details.

## Packing List

Description	Quantity
AC 100W SPS MPU100-105 W/PFC 100-240	1
Audio Cable, 1.5M	1
DVI-D Cable, 2M	1
USB Cable, 1.8M	1
D-Sub VGA cable, 1.8M	1
Advantech 2-year warranty card	1
CD-ROM for PDC-190 series Driver & Utility	1
Start up manual	1
China RoHs report	1
User manual for PDC-190, 1st Ed	1

\* Please note power code is NOT included in the packing list.