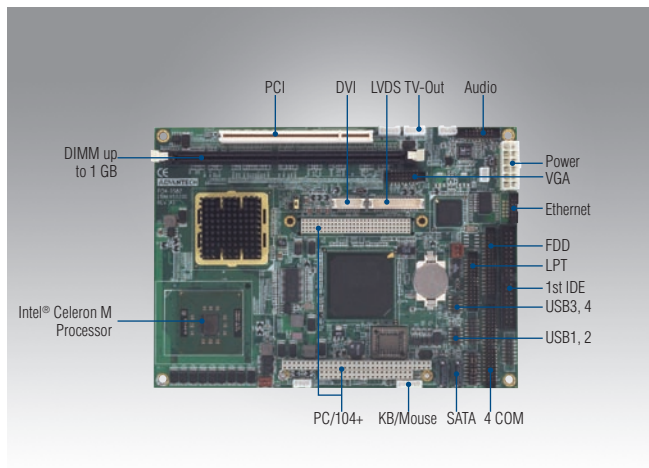


PCM-9587

**Onboard Intel® Celeron® M CPU on board
EBX SBC with LAN/ LVDS/DVI/VGA/Audio/
4 COM/4 USB/2 SATA/PC/104-Plus**



Features

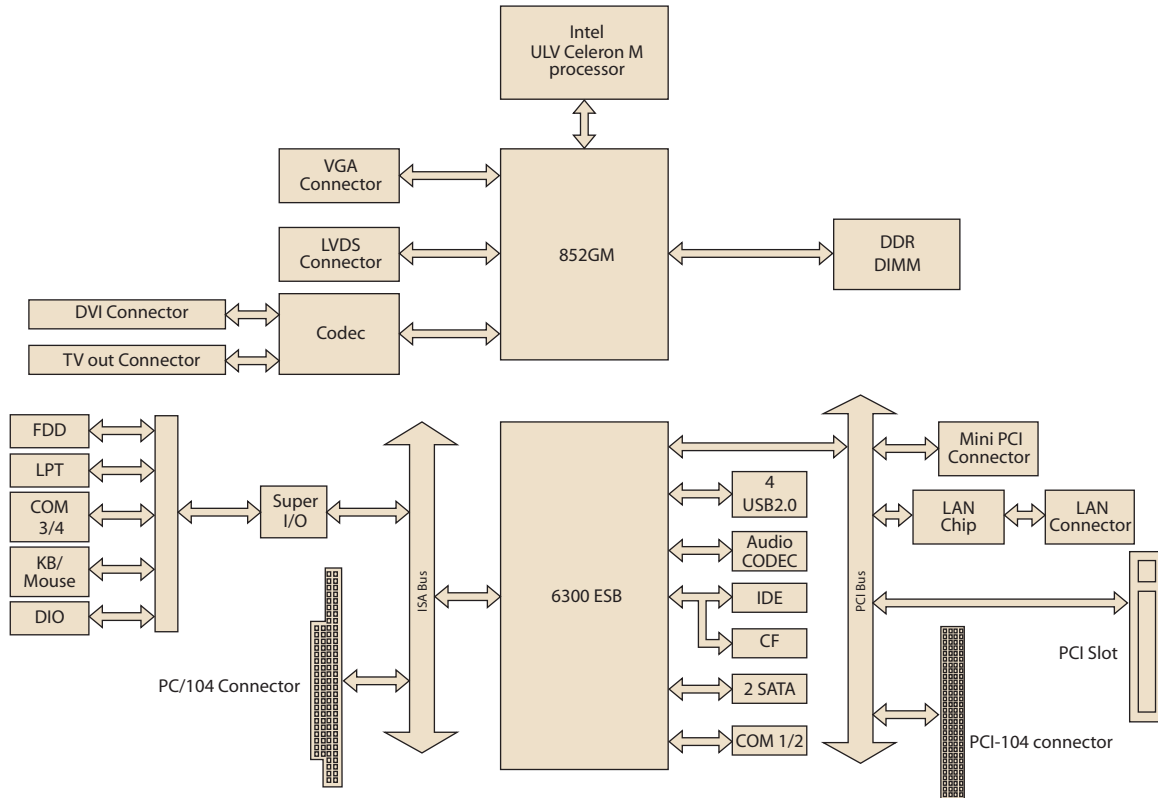
- Embedded Intel® Celeron® M 600 MHz/ Celeron® M 1.0 GHz
- Supports ECC DDR memory up to 1 GB, accept 128/256/512/1024 MB DDR200/266 DRAM
- EBX form factor standard and support for PC/104-Plus bus
- Supports up to 10/100Base-T Ethernet
- Supports up to two channel 36-bit LVDS interface
- Wide temperature optional
- 2 x SATA 150 (RAID 0/1), 4 x COM, 4 x USB 2.0, 8 bit GPIO
- Support PC/104-Plus (PCI + 8-bit ISA), Mini PCI and 1 x PCI Slot



Specifications

Processor System	CPU	Intel ULV Celeron M 600 MHz/ 1.0 GHz
	Front Side Bus	400 MHz
	L2 Cache	512 KB/ 0 KB
	Chipset	Intel 852GM + 6300ESB
	BIOS	Award 4 Mbit
Memory	Technology	DDR 200/266, ECC
	Max. Capacity	1 GB
	Socket	1 x 184-pin DIMM
SSD	CompactFlash	Card Type I, Type II (shared 2nd IDE Channel)
I/O Interface	LPT	1
	FDD	1
	RS-232	3
	RS-232/422/485	1
	K/B	1
	Mouse	1
	USB	4 x USB 2.0
	Audio	AC97, Speaker out, CD-input, Line-in, Line-out, Mic-in
	GPIO	8-bit general purpose input/output
	SMBus	Supported
SATA	Max. Data Transfer Rate	150 (RAID 0/1)
	Channel	2
EIDE	Mode	UDMA 100
	Channel	1
Expansion Slot	PCI	1
	miniPCI	1
	PC/104-Plus	1 (8-bit ISA)
Ethernet	Speed	10/100Mbps
	Controller	Intel 82551ER, optional 82541PI (Giga LAN)
	Interface	RJ-45 by cable
Display	Controller	Intel 852GM
	VRAM	Optimized Shared Memory Architecture up to 32 MB system memory
	LVDS LCD	1 x 36-bit LVDS
	TV-Out	Supports both NTSC/PAL, S-video and Composite Video (optional)
Environment	Dual Independent Display	CRT + LVDS, DVI + LVDS, TV-out +LVDS, CRT + DVI
	Operation Temperature	0 ~ 60° C (32 ~ 140° F)
	Operating Humidity	0% ~ 90% relative humidity, non-condensing
Power	Power Type	AT / ATX
	Power Supply Voltage	+5 V ± 5%, +12 V ±5%
	Power Consumption: Typical	2.62 A @ 5 V, 0.03 A @ 12 V (Celeron M 600 with 256 MB DDR266)
	Power Consumption: Max, test in HCT	2.63 A @ 5 V, 0.03 A @ 12 V (Celeron M 600 with 256 MB DDR266)
	Power Management	APM, ACPI
	Battery	Lithium 3 V / 196 mAH
Watchdog Timer	Output	System reset
	Interval	Programmable 1 ~ 255 sec
Physical Characteristics	Dimensions (L x W)	203 x 146 mm (8" x 5.75")
	Weight	0.85 kg (1.87 lb) (weight of total package)

Board Diagram



Ordering Information

Part No.	CPU	L2 Cache	CRT	LVDS	DVI	TV out	10/100 LAN	Audio	USB2.0	RS-232	RS/232/422/485	LPT/FDD/KB/MS	CF	SATA	PC/104+	PCISlot	Mini PCI	Thermal Solution	Operation Temp.
PCM-9587F-M0A1E	Celeron M 600 MHz	512 KB	Yes	36-bit	Yes	Optional	1	Yes	4	3	1	Yes	Yes	2	Yes	1	1	Passive	0 ~ 60° C
PCM-9587F-S0A1E	Celeron M 1.0 GHz	0 KB	Yes	36-bit	Yes	Optional	1	Yes	4	3	1	Yes	Yes	2	Yes	1	1	Passive	0 ~ 60° C
PCM-9587Z-M0A1E	Celeron M 600 MHz	512 KB	Yes	36-bit	Yes	Optional	1	Yes	4	3	1	Yes	Yes	2	Yes	1	1	Passive	-20 ~ 80° C
PCM-9587Z-S0A1E	Celeron M 1.0 GHz	0 KB	Yes	36-bit	Yes	Optional	1	Yes	4	3	1	Yes	Yes	2	Yes	1	1	Passive	-20 ~ 80° C

PS: 48-bit LVDS possible but need confirm with AE for evaluation

Optional Accessories

Part No.	Description
PCM-10586-6200E	Wiring kit for PCM-9582/9587
1703050306	TV-out cable
1703100260	USB cable (26 cm)
1703100121	USB cable (12 cm)
PCM-110-00A3E	1-slot PCI riser card for 5.25" biscuits
PCM-120-00A3E	2-slot PCI riser card for 5.25" biscuits
PCM-200-00A2E	PCI-104 to PCI bus module
MIO-3120-00A1E	Mini PCI interface to Wireless 802.11 b/g communication module
MIO-3121-00A1E	Mini PCI to 4 COM Module
MIO-3140-00A1E	Mini PCI interface to SATA storage module
MIO-3150-00A1E	Mini PCI interface to video capture module
MIO-3130-00A1E	Mini PCI Interface to Dual LAN Communication Module\$
MIO-3131-00A1E	Mini PCI Interface to Single Giga LAN Communication Module

Packing List

Part No.	Description	Quantity
9689000002	1 x PCM-9587 SBC	1
	1 x Mini Jumper Pack	1
	1 x Startup Manual	1
	1 x Utility CD	1
1700001112	1 x ATX Power Cable	1
	1 X Heatsink (50*50*30mm)	1