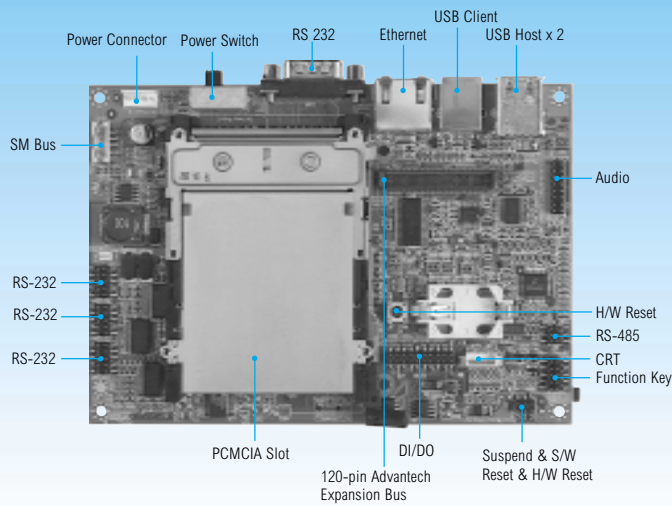


# PCM-7210/7211

Embedded 3.5" Biscuit SBC w/ Intel® Xscale CPU



## Features

- Embedded with Advantech off-the-shelf Xscale SOM-1240 engine
- Compact size: 145 x 102 mm
- Low power consumption and fanless
- 32/64 MB DRAM and 16/32 MB flash memory on board
- Windows® CE on board (on the flash memory)
- 120-pin external bus for user module

## Display



Display	PCM-7211(Compact Version )	PCM-7210(Standard Version)
LCD Controller	PXA250 internal	Epson S1D13806
LCD TTL Interface	16-bit active color active LCD; 16-bit passive color LCD	18-bit color active color LCD; 16-bit color active color LCD
LCD LVDS Interface	X	18-bit LVDS interface
TouchScreen Interface	4-wire resistive touch screen interface	4-wire resistive touch screen interface
Resolution	Up to 320 x 240 @ 16 bpp	Up to 800 x 600 @ 16 bpp

## System

System	PCM-7211(Compact Version )	PCM-7210(Standard Version)
CPU	Intel® Xscale PXA-250, 200 MHz	Intel® Xscale PXA-250, 400 MHz
SDRAM (MB)	32MB on board	64MB on board (upgrade to 128MB)
Flash (MB)	16MB	32MB
Audio	X	AC' 97 stereo audio
SM Bus Interface	SM Bus Interface	SM Bus Interface
Resume Interface	For suspend function	For suspend function
Software Reset	For Software Reset function	For Software Reset function

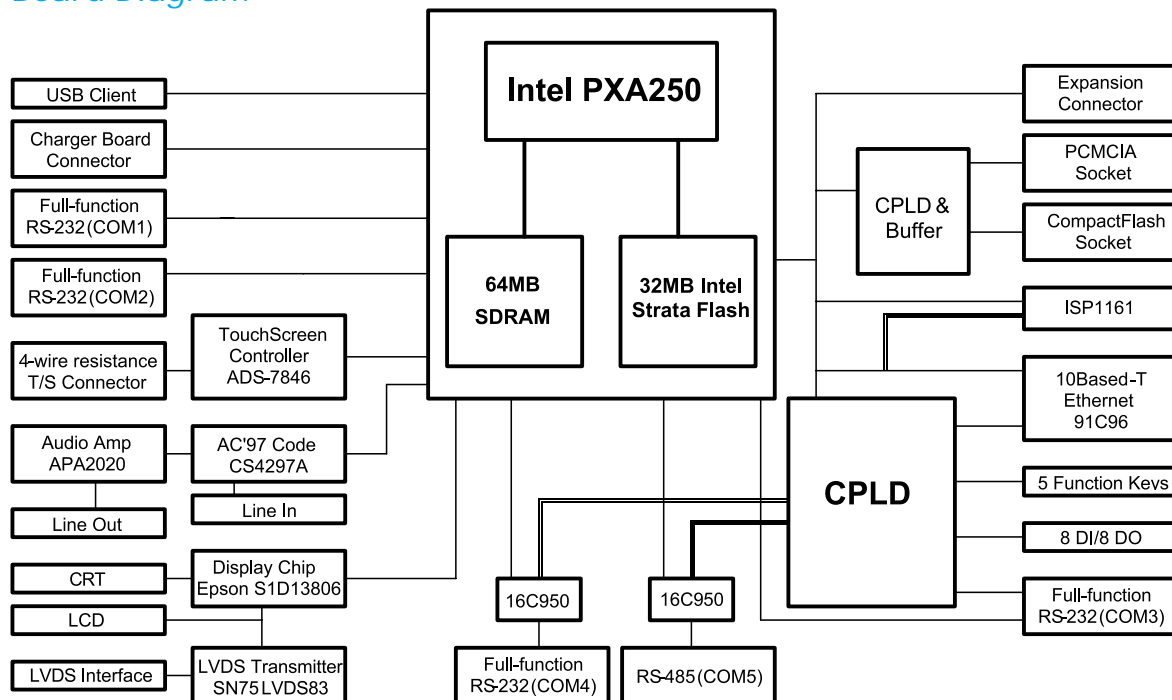
## I/O

I/O Port	PCM-7211(Compact Version )	PCM-7210(Standard Version)
<b>Serial Port</b>	RS-232 Dsub x 1, Full 9 pin RS-232 x 2 (pin header)	RS-232 Dsub x 1, Full 9 pin RS-232 x 3 (pin header), RS-485 x 1 (pin header)
Ethernet Port	1 RJ-45 10 BASE-T port	1 RJ-45 10 BASE-T port
PCMCIA Slot	1 Type II PCMCIA slot	1 Type II PCMCIA slot
CompactFlash Slot	1 Type II CF slot	1 Type II CF slot
<b>USB Port</b>	1 USB client	2 USB host, 1 USB client
DI/DO	8 digital inputs, 8 digital outputs; TTL	8 digital inputs, 8 digital outputs; TTL
FunctionKey	5 programmable function keys	5 programmable function keys
CRT	X	1 CRT output pin header
Expansion Slot	120-pin expansion bus	120-pin expansion bus

## RISC Embedded Solutions

Note: All specifications are subject to change without notice.

## Board Diagram



## Ethernet

Chipset	SMSC91C96
Ethernet Interface	10 Base-T
Connection	RJ45

## Mechanical and Environmental

Dimensions(L x W)	145 x 102 mm (5.71" x 4")
Power Consumption	Normal: 12V@ 220mA; Suspend 12V@ 20mA
Power Input	7-28 VDC
Gross Weight	0.2 kg (0.4 lb.)
Operating Temperature	0 - 75°C (32 - 167°F) fanless operation
Operating Humidity	0 - 90% relative humidity, non-condensing

## Packing List

• Support CD	(p/n: 2062000053)
• Windows® CE end user license agreement	(p/n: 2006000012)
• USB client ActiveSync cable	(p/n: 1700041800)
• Audio cable	(p/n: 1700160164)
• 3 RS-232 cables	(p/n: 1703100153)
• 1 RS-485 cable	(p/n: 1703060170)
• 1 CRT cable	(p/n: 1703060155)
• Linux support CD (for Linux version)	(p/n: 2066721000)
• JTAG cable (for Linux version)	(p/n: 1703251000)
• Null modem cable (for Linux version)	(p/n: 1700091002)

## Ordering Information

For PCM-7210 Model	
PCM-7210-3200CE	3.5" Intel® Xscale 400 Mhz SBC, 32MB Flash/64 MB SDRAM, Windows® CE .NET English on board.
PCM-7210-2100LX	3.5" Intel® Xscale 200 Mhz SBC, 16MB Flash/32 MB SDRAM, Linux English on board.
For PCM-7211 Model	
PCM-7211-2100CE	3.5 Intel®/Xscale 200 MHz SBC, 16MB Flash/32MB SDRAM, Windows® CE.NET English on board