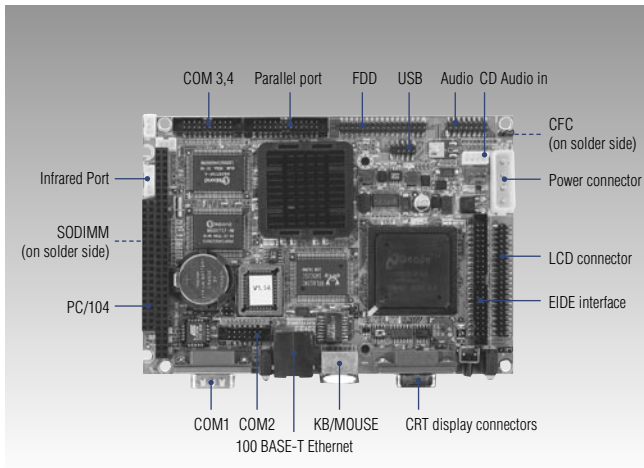


# PCM-5825

3.5" SBC with AMD Geode™,  
VGA, LCD, LAN, USB, 4 COMs



## Specifications

### General

- **CPU** Onboard AMD Geode™ processor GX1-300 MHz processor
- **2nd Cache Memory** N/A
- **System Chipset** NS CX 5530
- **BIOS** AWARD® 256 kbit Flash BIOS
- **Power Management** APM 1.1
- **System Memory** 1 x SDRAM SODIMM, Max. 256 MB
- **SSD** Supports CompactFlash® card
- **WatchDog Timer** 1 - 62 sec, 62 level timer intervals, system reset or IRQ11
- **Expansion Interface** PC/104
- **Battery** Lithium 3 V/196 mAh

### I/O

- **I/O Interface** 1 x EIDE (Ultra DMA33), 1 x FDD, 1 x K/B, 1 x Mouse, 1 x RS-232/422/485, 1 x RS-232, 1 x LPT
- **USB** 1 x SDRAM SODIMM, USB 1.0 compliant
- **Audio** NS CX 5530, AC'97 2.0 compliant
- **IrDA** 115 kbps, IrDA 1.0 compliant
- **GPIO** N/A

### Ethernet

- **Chipset** RealTek® 8139C
- **Speed** 10/100 Mbps (optional)
- **Interface** 1 x RJ45
- **Standard** IEEE 802.3u 100BASE-T Fast Ethernet compatible  
Built-in boot ROM in Flash BIOS

## Features

- Compact and powerful at less than 8 W power consumption
- 10/100BASE-T Ethernet
- 18-bit TFT LCD interface
- 4 COM ports share one IRQ
- AC'97 V 2.0 Audio

### Display

- **Chipset** AMD CX 5530
- **Memory Size** 1-4 MB UMA shared memory
- **Resolution** Up to 1024 x 768 @ 24 bpp non-interlaced CRT and 1024 x 768 @ 18 bpp TFT LCD display (supports 3.3 V LCD)
- **LCD Interface** 18-bit TTL for TFT LCD only
- **TV-Out** N/A
- **Dual Independent Display** N/A

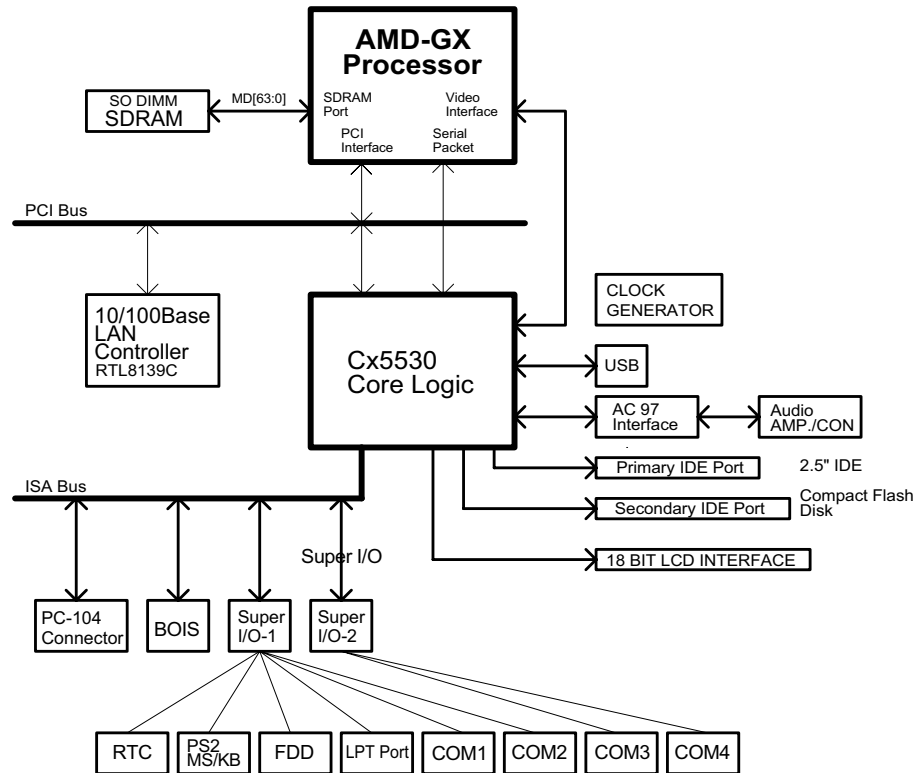
### Mechanical and Environmental

- **Dimension (L x W)** 146 x 102 mm (5.7" x 4")
- **Weight** 0.75 kg (weight of total package)
- **Operating Temperature** 0 - 60° C (32 - 140° F)
- **Operating Humidity** 0% - 90% Relative Humidity, non condensing

### Power

- **Power Supply Voltage** +5 V ± 5%,
- **Power Consumption** Max.: 4 A @ +5 V  
Typical: 1.5 A @ +5 V  
(with GX1-300 CPU & 64 MB DRAM)

## Board Diagram



## Packing List

- 1 x PCM-5825 SBC
- 1 x Mini Jumper pack [conts.: 10 pcs] (p/n: 9689000002)
- 1 x Keyboard & mouse cable 6P-6P-6P (p/n: 1700060202)
- 1 x Audio cable for PCM-5820/5825 (p/n: 1700160160)
- 1 x Cable for LPT port (p/n: 1700260250)
- 1 x COM2 cable (p/n: 1701140201)
- 1 x COM3/COM4 cable (p/n: 1701200220)
- 1 x FDD cable (p/n: 1701340603)
- 1 x HDD cable (p/n: 1701440351)
- 1 x USB cable (p/n: 1703100260)
- 1 x Start up manual
- 1 x Utility CD

## Ordering Information

### Standard

- **PCM-5825-G0A2** 3.5" SBC with GX1-300, VGA, LCD, LAN, USB, 4 COMs

### Optional Accessories

- **MBPC-200-5825** MicroBox 3.5" Biscuit SBC chassis for PCM-5825
- **PS-50A** 50 W AC power supply For MBPC-200