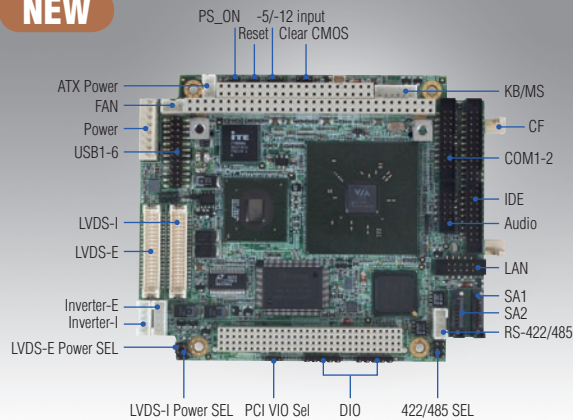


PCM-3372

VIA Eden™ (V4) + CX700 PC/104-Plus CPU Module

NEW



Features

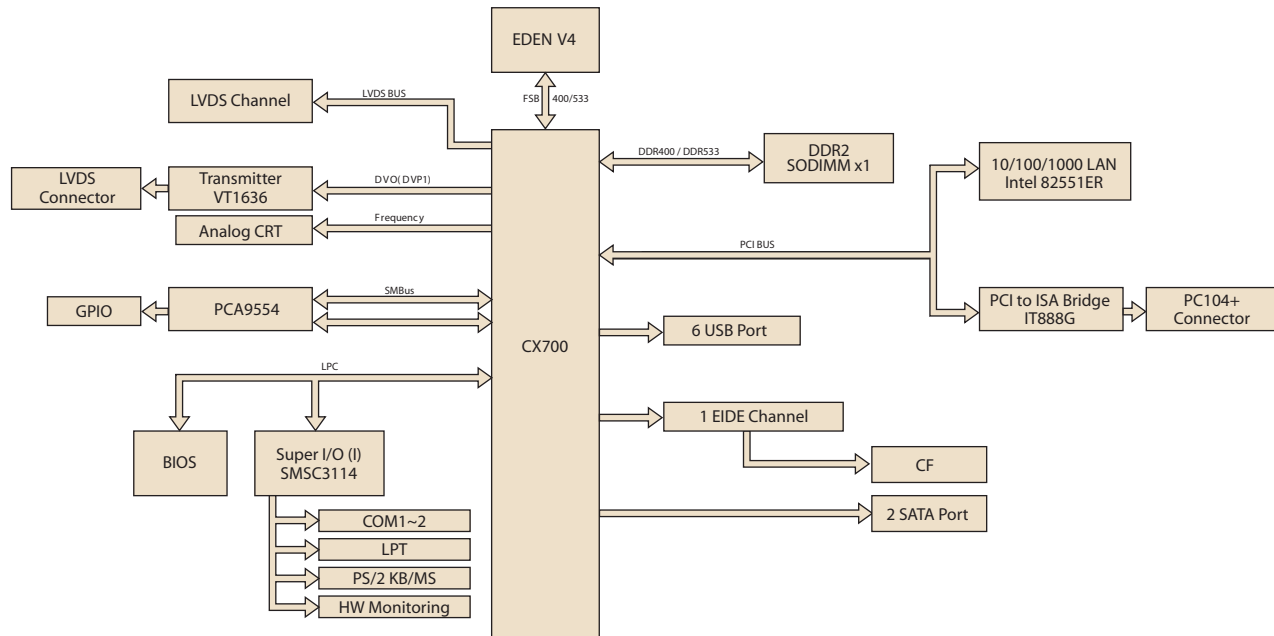
- VIA Eden™ (V4) 400/600 MHz and ULV1.0 GHz processor
- Supports DDR2 memory
- Supports 10/100 Base-T Ethernet
- Dual 48-bit TFT LCD LVDS interface
- Supports one RS-232, one RS-232/422/485, and six USB 2.0 ports
- PC/104 and PC/104-Plus expansion connector
- Support audio function compliant with HD
- Support for CompactFlash card type I



Specifications

Processor System	CPU	VIA Eden (V4) processor 400/600 MHz and ULV 1.0 GHz
	L2 Cache	128 KB
	Chipset	VIA CX700
	BIOS	Award 4 Mbit
Memory	Technology	DDR2 400/533 MHz
	Max. Capacity	1 GB
	Socket	1 x 200-pin SODIMM
SSD	CompactFlash	Card Type I
I/O Interface	RS-232	1
	RS-232/422/485	1
	K/B	1
	Mouse	1
	USB	6 x USB 2.0
	Audio	HD Audio stereo sound
	GPIO	8-bit general purpose (4 Input/4 Output)
EIDE	Mode	UDMA 33/66
	Channel	1
SATA	Max. Data Transfer Rate	150
	Channel	2
Expansion Slot	PCI/104-Plus	1
Ethernet	Speed	10/100Mbps
	Controller	Intel 82551ER
	Interface	1 x RJ-45 by cable
Display	Controller	VIA CX700
	VRAM	Optimized Shared Memory Architecture up to 64 MB system memory
	LVDS LCD	2 x 48-bit LVDS
	Dual Independent Display	CRT + LVDS, LVDS+LVDS
Environment	Operation Temperature	0 ~ 60° C (32 ~ 140° F)
	Operating Humidity	0% ~ 90% relative humidity, non-condensing
Power	Power Type	AT / ATX
	Power Supply Voltage	+5 V ± 5%, +12 V ± 5% (Optional) (5 V only, 12 V optional for PC104 add on card and LCD inverter)
	Power Consumption: Typical	Typical: +5 V, 1.45 A; +12 V, 0.02 A
	Power Consumption: Max, Test in HCT	Max: +5 V, 2.63 A; +12 V, 0.03 A (Eden ULV 1.0 GHz with 512 MB RAM)
	Power Management	ACPI supported, APM1.2
	Battery	Lithium 3 V / 210 mAH
	Watchdog Timer	Output
Physical Characteristics	Interval	Programmable 1 ~ 255 sec
	Dimensions (L x W)	96 x 115 mm (3.8" x 4.5")
	Weight	0.162 kg (0.357 lb)

Board Diagram



Ordering Information

Part No.	CPU	Chipset	L2 Cache	CRT	TTL	LVDS	10/100	USB2.0	RS-232	RS-232/422/485	LPT/KB/MS	SATA	CF	Audio	PC/104+ connector	Thermal Solution	Operation Temp.	Embedded OS
PCM-3372F-J0A1E	VIA Eden (V4) 400 MHz	CX700	128 KB	Yes	--	2 x 48-bit	1	6	1	1	Yes	2	Yes	Yes	Yes	Passive	0 ~ 60° C	optional
PCM-3372F-M0A1E	VIA Eden (V4) 600 MHz	CX700	128 KB	Yes	--	2 x 48-bit	1	6	1	1	Yes	2	Yes	Yes	Yes	Passive	0 ~ 60° C	optional
PCM-3372F-S0A1E	VIA Eden (V4) ULV 1.0 GHz	CX700	128 KB	Yes	--	2 x 48-bit	1	6	1	1	Yes	2	Yes	Yes	Yes	Passive	0 ~ 60° C	optional

Packing List

Part No.	Description	Quantity
	PCM-3372 SBC	1
1703080104	Wire AT Power cable	1
1703100152	Audio cable	1
1703200380	Wire ATX power	1
1701200220	Two COM cable	1
1703040157	RS-422/485 COM cable	1
1703060053	Keyboard/Mouse cable	1
1700060202	Y cable (for KB/MS extention)	1
1701100202	Ethernet RJ-45 Conn. conversion cable	1
1701440350	IDE cable 44P/44P/44P	1
1700000898	VGA cable	1
1700000897	USB cable (bracket type with two USB ports)	1
1700071000	SATA cable	1
1700260250	LPT Cable	1
	Startup manual	1
	CD-ROM (Manual, Driver, Utility)	1