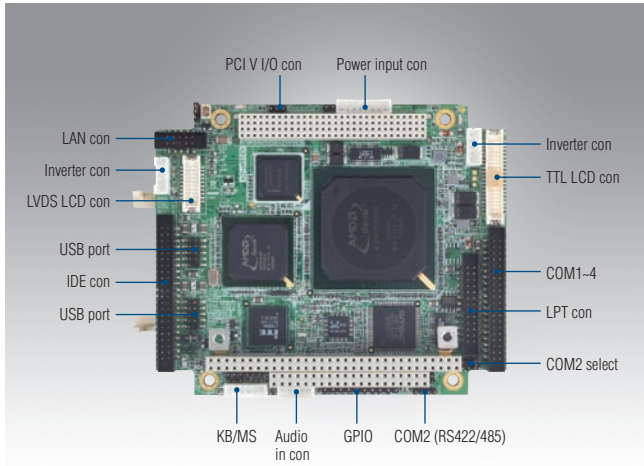


PCM-3353

AMD LX800 PC/104-Plus CPU Module



Features

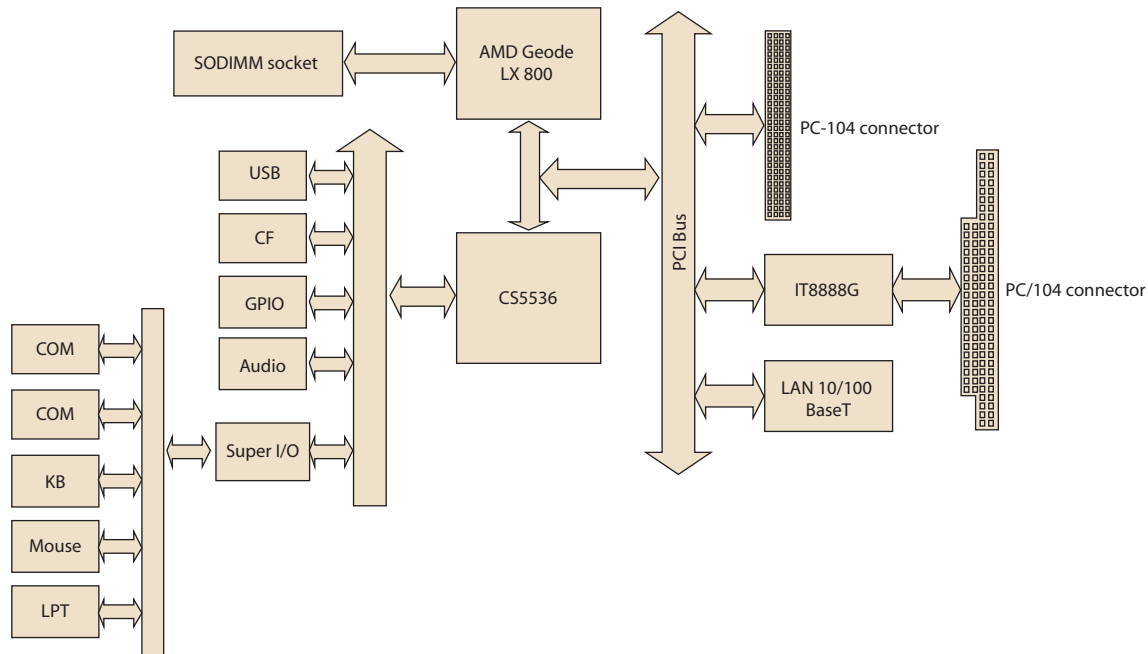
- AMD low power LX800/500 MHz Processor
- Supports DDR memory
- 18/24-bit TFT LCD interface
- 18-bit LVDS LCD interface
- One channel 18-bit LVDS interface
- 10/100 Mbps PCI Ethernet interface
- Supports three RS-232, one RS-232/422/485, and four USB 2.0 ports
- PC/104 and PC/104-Plus expansion connector
- Support audio function compliant with AC'97 2.0



Specifications

| | | |
|--------------------------|-------------------------------------|---|
| Processor System | CPU | AMD Geode™ LX800, up to 500 MHz |
| | L2 Cache | 128 KB |
| | Chipset | AMD Geode LX800 |
| | BIOS | Award 4 Mbit |
| Memory | Technology | DDR 333/400 MHz |
| | Max. Capacity | 1 GB |
| | Socket | 1 x 200-pin SODIMM |
| SSD | CompactFlash | Card Type I |
| I/O Interface | LPT | 1 |
| | RS-232 | 3 |
| | RS-232/422/485 | 1 |
| | K/B | 1 |
| | Mouse | 1 |
| | USB | 4 x USB 2.0 |
| | Audio | AC97, Lin-in, Lin-out, Mic-in |
| EIDE | GPIO | 8-bit general purpose Input/Output |
| | Mode | UDMA 33 |
| Expansion Slot | Channel | 1 |
| | PCI/104-Plus | 1 |
| Ethernet | Speed | 10/100Mbps |
| | Controller | Intel 82551ER |
| | Interface | 1 x RJ-45 by cable |
| Display | Controller | AMD Geode LX800 |
| | VRAM | Optimized Shared Memory Architecture up to 64 MB system memory |
| | TTL LCD | 1 x 24-bit TTL |
| | LVDS LCD | 1 x 18-bit LVDS |
| Environment | Dual Simultaneous Display | CRT + TTL, CRT + LVDS |
| | Operation Temperature | 0 ~ 60° C (32 ~ 140° F) |
| Power | Operating Humidity | 0% ~ 90% relative humidity, non-condensing |
| | Power Type | AT |
| | Power Supply Voltage | +5 V ± 5%, +12 V ± 5% (Optional) (5 V only, 12 V optional for PC104 add on card and LCD inverter) |
| | Power Consumption: Typical | +5 V @ 1.35 A, +12 V @ 0.1 A |
| | Power Consumption: Max, Test in HCT | +5 V @ 1.51 A, +12 V @ 0.1 A |
| | Power Management | APM1.2 |
| | Battery | Lithium 3 V / 196 mAH |
| Watchdog Timer | Output | System reset |
| | Interval | Programmable 1 ~ 255 sec |
| Physical Characteristics | Dimensions (L x W) | 96 x 115 mm (3.8" x 4.5") |
| | Weight | 0.162 kg (0.357 lb) (with heat-sink) |

Board Diagram



Ordering Information

| Part No. | CPU | Chipset | CRT | TTL | LVDS | 10/100 | USB2.0 | RS-232 | RS232/422/485 | LPT/KB/MS | Audio | PC/104+ connector | Thermal Solution | Operation Temp. | Embedded OS |
|------------------|-----------|---------|-----|-----------|--------|--------|--------|--------|---------------|-----------|-------|-------------------|------------------|-----------------|-------------|
| PCM-3353F-LOA1E | AMD LX800 | CS5536 | Yes | 18/24-bit | 18-bit | 1 | 4 | 3 | 1 | Yes | Yes | Yes | Passive | 0 – 60° C | Optional |
| PCM-3353Z-LOA1E | AMD LX800 | CS5536 | Yes | 18/24-bit | 18-bit | 1 | 4 | 3 | 1 | Yes | Yes | Yes | Passive | -20 – 80° C | Optional |
| PCM-3353Z2-LOA1E | AMD LX800 | CS5536 | Yes | 18/24-bit | 18-bit | 1 | 4 | 3 | 1 | Yes | Yes | Yes | Passive | -40 – 85° C | Optional |

Packing List

| Part No. | Description | Quantity |
|------------|---|----------|
| | PCM-3353 SBC | 1 |
| 1700003491 | AT Power cable | 1 |
| 1700000918 | Audio cable | 1 |
| 1701400181 | Four COM cable | 1 |
| 1703040157 | RS-422/485 COM cable | 1 |
| 1703060053 | Keyboard/Mouse cable | 1 |
| 1700060202 | Y cable (for KB/MS extention) | 1 |
| 1701100202 | Ethernet RJ-45 Conn. conversion cable | 1 |
| 1700260250 | LPT port cable | 1 |
| 1701440350 | IDE cable 44P/44P/44P | 1 |
| 1700000898 | VGA cable | 1 |
| 1703100121 | USB cable (bracket type with two USB ports) | 2 |
| | Startup manual | 1 |
| | CD-ROM (Manual, Driver, Utility) | 1 |