

PCM-3345 486 DX66-based Module with SVGA Interface Startup Manual



Packing list

Before you begin installing your card, please make sure that the following materials have been shipped:

- 1 PCM-3345 All-in-one single board computer
- 1 Start-up manual
- CD-ROM or Disks for utility, drivers, and manual (in PDF format)
- 1 2.5" IDE flat cable, 44-pin to 44-pin (product no. 1701440350)
- 1 keyboard / PS2 mouse cable (product no. 1700000190)
- 2 serial port cables (product no. 1700100250)
- 1 parallel cable (product no. 1700260250)
- 1 floppy cable, for 3.5" FDD only (product no. 1701340600)
- 1 VGA cable (product no. 1700160150)
- 1 ATX power cable (product no. 1700000450)

If any of these items are missing or damaged, contact your distributor or sales representative immediately.

Note: For detailed contents of the PCM-3345, please refer to the enclosed CD-ROM or Disk (in PDF format).

For more information on this and other Advantech products please visit our website at:

<http://www.advantech.com>
<http://www.advantech.com/epc>

For technical support and service for please visit our support website at:

<http://support.advantech.com>

This manual is for the PCM-3345 Rev. A1 or higher.

Part No. 2006334510
Printed in Taiwan

1st edition
June 1999

Specifications

Standard SBC functions

- **CPU:** Embedded SGS Thomson DX/66 STPC Client processor
- **BIOS:** AMI 128 KB Flash memory
- **System memory:** One 144-pin SODIMM socket accepts 8, 16, or 32 MB EDO/FPR DRAM
- **Enhanced IDE interface:** Supports up to two EIDE devices. BIOS auto-detect, PIO Mode 3 or Mode 4 transfer
- **FDD interface:** Supports up to two FDDs
- **Serial ports:** Two serial RS-232 ports
- **Parallel port:** One parallel port, supports SPP/EPP/ECP mode
- **Infrared port:** Shared with COM2. Transfer rates up to 115.2 kbps
- **Keyboard/mouse connector:** Supports standard PC/AT keyboard and a PS/2 mouse
- **Power management:** Supports power saving modes including Normal/Standby/Suspend modes. APM 1.1 compliant
- **Watchdog timer:** 1.6 sec. intervals
- **Modem ring-on:** Hayes compatible modem required
- **Multiple power input:** ± 12 V, ± 5 V power supplies

VGA interface

- **Display memory:** 512 KB ~ 4 MB share memory, set in BIOS
- **Display type:** Supports CRT
- **CRT display mode:** Non-interlaced CRT monitors resolutions up to 1024 x 768 @ 16 K colors

Mechanical and environmental

- **Dimension:** 3.77" (L) x 3.54" (W) (96 mm x 90 mm)
- **Power supply voltage:** +5 V \pm 5%
- **Power requirements:** 1.38 A @ +5 V (typical)
- **Operating temperature:** 0 ~ 70° C
- **Weight:** 0.11 kg (weight of total package)

Solid state disk

- Supports one 50-pin socket for Compact Flash card

Jumpers and connectors

The board has a number of jumpers that allow you to configure your system to suit your application.

The table below lists the function of each of the board jumpers and connectors:

Table 3-1: Jumpers

Label	Function
CN2 pin 1,3,5	Clear CMOS
CN2 pin 7,9	Reset switch
CN2 pin 11, 12	ATX panel switch

Table 3-2: Connectors

Label	Function
CN1	Floppy disk connector
CN2 pin 7,9	Reset button
CN2 pin 2,4,6,8,10	IR connector (infrared)
CN3	COM1 connector
CN4	ATX power (5 V SB, PS ON)
input	
CN5	COM2 connector
CN6	IDE Hard disk connector
CN7	PC/104 connector
CN8	Parallel port connector
CN9	Main power connector (+5 V, +12 V)
CN10	Auxiliary power connector (-5 V, -12 V)
CN11	VGA connector
CN12	Keyboard + PS/2 mouse
CN13	Compact Flash socket
U12	SODIMM socket

Locating Jumpers

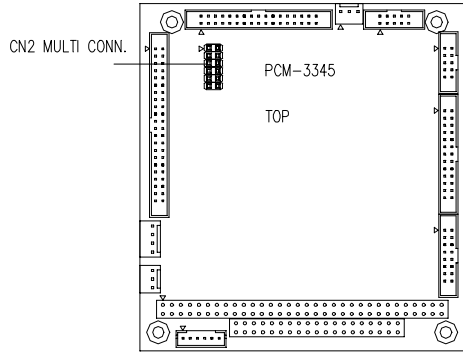


Figure 3-1: Jumper settings

CN2: Multi-functional connector
Clear CMOS

Closed Pins Result

1-3 Normal
3-5 Clear CMOS

CN2: Multi-functional connector
Reset switch

Closed Pins Result

7-9 system reset

CN2: Multi-functional connector
ATX panel switch

Closed Pins Result

11-12 ATX power on

Locating connectors

Warning: Please note there are two different kinds of component sides: RevA1 and RevA2. There is a difference in voltage in CN9 and CN 10.



Be sure to use the correct component side. Improper installation can cause serious damage to your hardware!

Solder Side

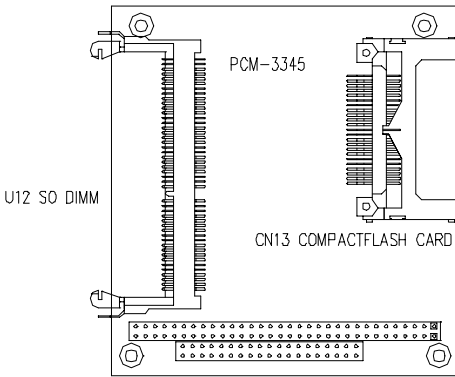


Figure 4-3: Connectors - solder side

Component Side

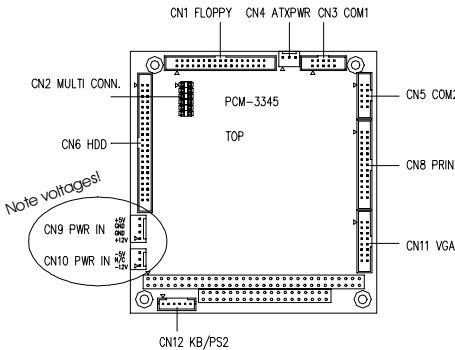


Figure 4-1: Component side - Rev A1

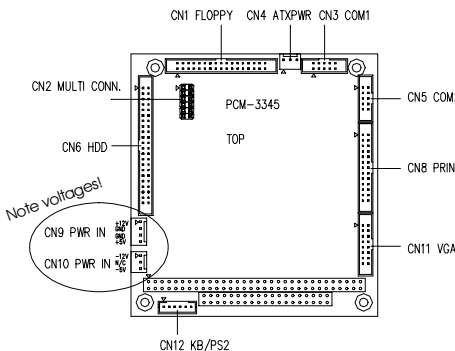


Figure 4-2: Component side - Rev A2

PCM-3345 mechanical drawing

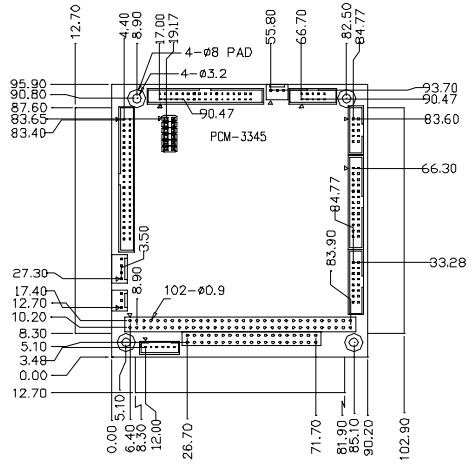


Figure 5-1: PCM-3345 mechanical drawing