

PCM-3342 EVA-X4150 SoC PC/104 with VGA, LCD, LAN, USB, SATA, CF and PC/104 Startup Manual

Packing List

Before you begin installing your card, please make sure that the following items have been shipped:

- 1 PCM-3342 SBC
- 1 Startup Manual
- 1 Utility CD
- 1 Y cable (for KB/MS extension) p/n: 1700060202
- 1 Parallel port cable p/n: 1700260250
- 1 Ethernet RJ-45 connector cable p/n: 1701100202
- 1 VGA cable p/n: 1701160150
- 1 Four COM cables p/n: 1701400181
- 1 RS-422/485 cable p/n : 1703040157
- 1 PS/2 connector cable p/n: 1703060053
- 1 USB cable (2 USB ports) p/n: 1703060053
- 1 SATA cable p/n: 1700008894
- 1 PC/104 screw pack p/n: 9660104000

If any of these items are missing or damaged, please contact your distributor or sales representative immediately.

Note 1: For detailed contents of the PCM-3342, please refer to information on the enclosed CD-ROM (in PDF format).

Note 2: Acrobat Reader is required to view any PDF file. Acrobat Reader can be downloaded at: www.adobe.com/Products/acrobat/readstep2.html (Acrobat is a trademark of Adobe®)

For more information on this and other Advantech products, please visit our website at:

<http://www.advantech.com>

<http://www.advantech.com/eplatform>

For technical support and service, please visit our support website at:

<http://www.advantech.com/support/>

This manual is for the PCM-3342 series Rev. A1

Part No. 2006334200
Print in China

1st Edition,
Nov. 2008

Specifications

General

- **CPU:** Advantech EVA-X4150 SoC
- **System Chipset:** Advantech EVA-X4150 SoC
- **System Memory:** 64 MB onboard SDRAM
- **BIOS:** Award 4-Mbit Flash BIOS
- **Watchdog Timer:** 255 level timer interval
- **Expansion Interface:** PC/104
- **Battery:** Lithium 3 V/210 mAH
- **SATA interface:** One SATA port (100 MB transfer from IDE)
- **Parallel port:** One parallel port, supports SPP/EPP/ECP-mode, shared with FDD
- **Keyboard/mouse connector:** Supports one standard PC/AT keyboard and a PS/2 mouse
- **USB:** Two USB 2.0 compliant universal serial bus ports
- **GPIO:** 8-bit general purpose Input/Output

Solid State Disk

- Supports one 50-pin socket for CFC type I/II

VGA/LVDS Interface

- **Chipset:** SMI SM712 2D Graphic Chip
- **Memory Size:** built-in 4 MB display memory on SM712
- **Resolution:**
 - CRT display Mode: pixel resolution up to 1024 x 768 @85 Hz
 - LVDS display mode: 1024 x 768 at 65 MHz
- **TTL LCD:** supports 18-bit TTL LCD
- **Dual Simultaneous Display:**
 - CRT + TTL

Ethernet Interface

- **Chipset supports:** 10/100 Mbps - Realtek RTL8100CL (With Wake on LAN)
- **Ethernet interface:** IEEE 802.3u (100 Mbps) protocol compatible
- Built-in boot ROM

Specifications

Mechanical and Environmental

- **Dimensions:** 96 x 90 mm (3.8" x 3.5")
Mechanical drawing is available.
- **Power Supply Type:** AT
- **Power Requirement:** +5 V \pm 5%, +12 V \pm 5%
(Optional or supports single +5 V only)
- **Power Consumption:**
DOS Mode: +5 V @1.19 A (5.95 W)
- **Operating Temperature:** 0 ~ 60° C (32 ~ 140° F)
- **Weight:** 0.85 kg (reference weight of total package)

Jumpers and Connectors

The board has a number of jumpers that allow you to configure your system to suit your application. The table below lists the function of each of the jumpers and connectors.

Jumpers

Label	Function
J1	COM2 Setting

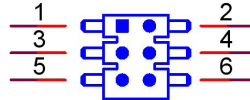
Connectors

Label	Function
CN1	AT Power Input
CN2	Reset
CN3	Battery
CN4	CF
CN5	VGA
CN6	24-bit TTL Panel
CN7	Inverter Power Output
CN8	Internal USB
CN9	SATA
CN10	HDD & PWR LED
CN11	LAN
CN12	COM
CN13	RS-422/485
CN14	GPIO
CN15	LPT
CN16	PS2
CN17	PC104
CN18	ISA -5 V & -12 V Input

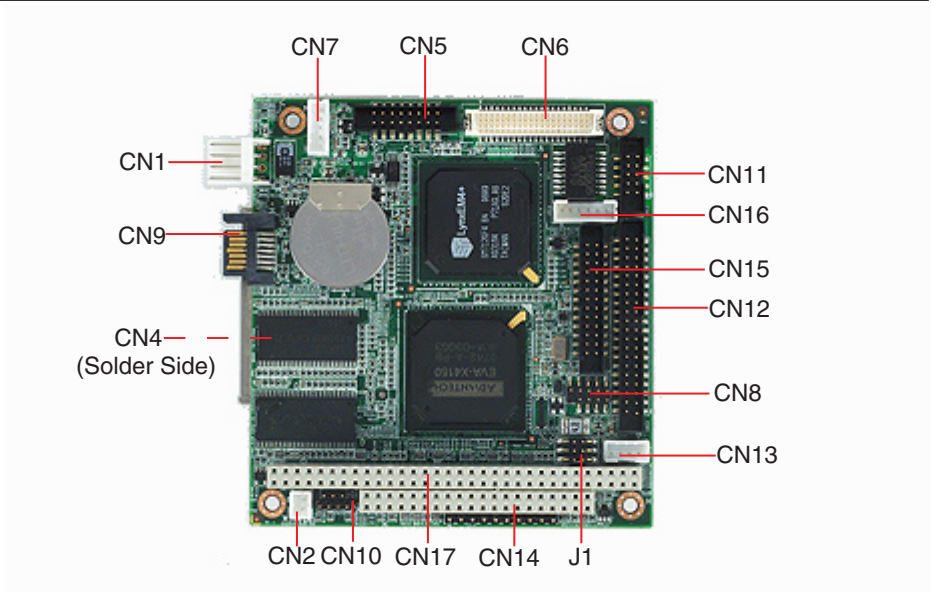
Jumpers and Connectors

Jumper Setting

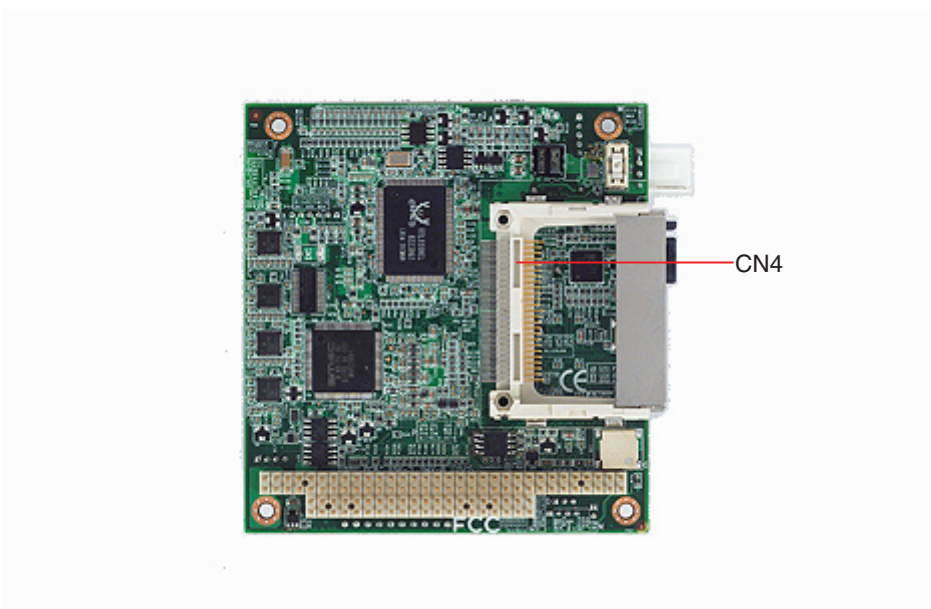
J1	COM2 Setting
Part Number	1653003260
Footprint	JH3X2S-2M
Description	PIN HEADER 3 * 2P 180D (M) 2.0 mm SMD SQUARE PIN
Setting	Function
(1-2)	RS-232
(3-4)	RS-485
(5-6)	RS-422



Board Layout

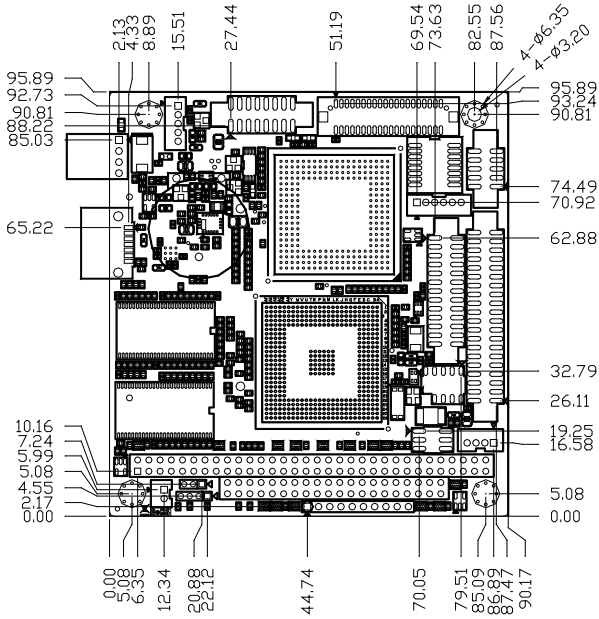


Board Layout (Top)

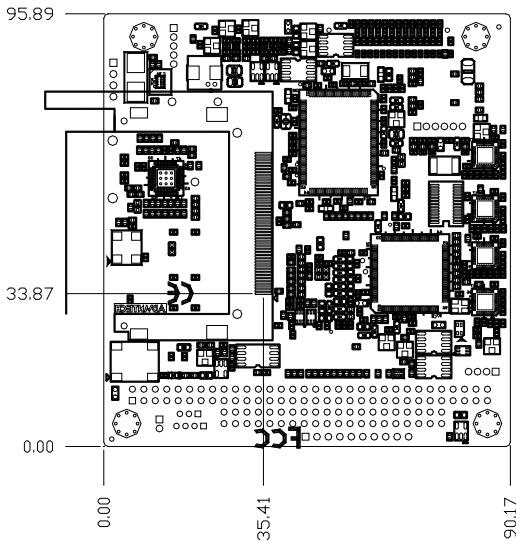


Board Layout (Bottom)

Board Dimensions

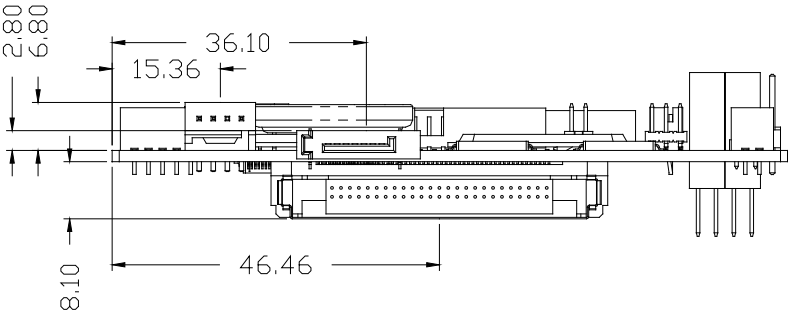


Board Dimensions (Top)



Board Dimensions (Bottom)

Board Dimensions



Board Dimensions (Side)