

PCA-AUDIO-HDA1E

7.1 Channel Audio Extension Module

Startup Manual

Packing List

Before you begin installing your card, please make sure that the following materials have been shipped:

- PCA-AUDIO-HDA1E Audio Extension Module x 1
- HD Audio Cable x 1 p/n:1701120251
- 2 years quality warranty card x 1 p/n:2190000902
- Startup manual x 1

If any of these items are missing or damaged, contact your distributor or sales representative immediately.

Specifications

Standard Functions

#	Audio Output	Bracket Printing	Rear Jack Color
1	Line-in	LINE	Blue
2	MIC-in	MIC	Pink
3	Front-out	FRONT	Green
4	SPK-out	SPEAK	Green
5	Back Surround-out	REAR	Black
6	Subwoofer / Center-out	SUB CEN	Black
7	Rear-out	SIDE	Black

Mechanical

- **Dimensions:** 47.5 mm x 80.74 mm

For more information on this and other Advantech products, please visit our website at:

<http://www.advantech.com>

<http://www.advantech.com/eplatform>

For technical support and service, please visit our support website at:

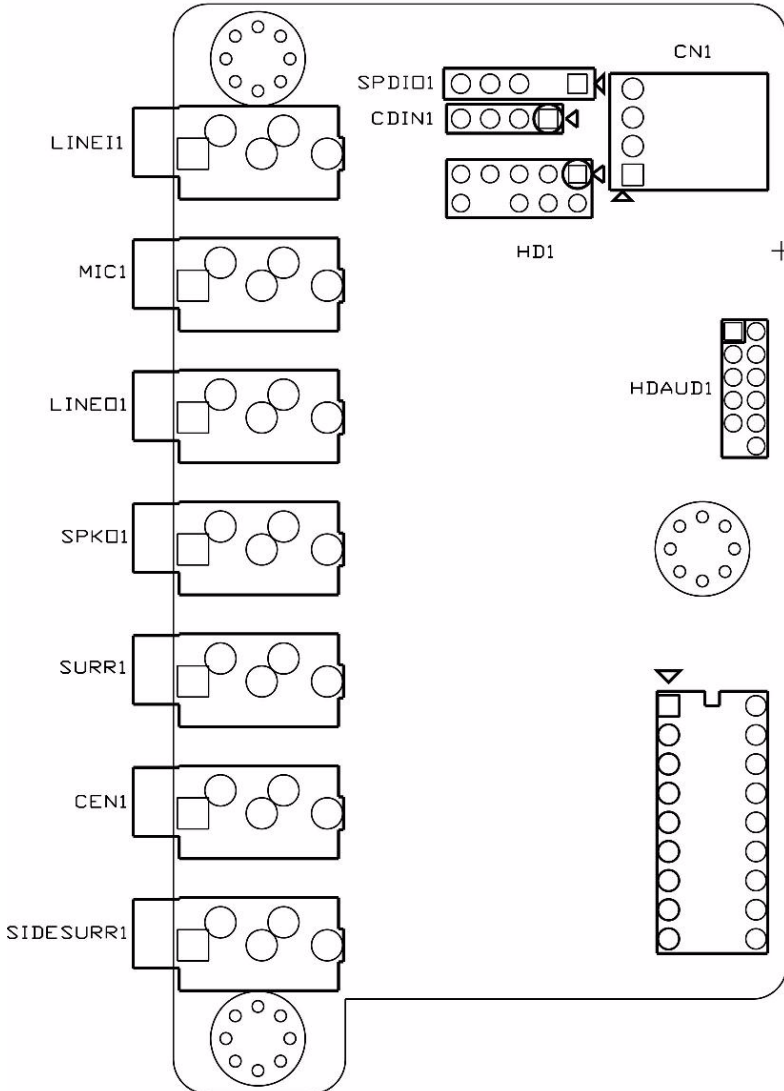
<http://www.advantech.com/support>

This manual is for the PCA-AUDIO-HDA1E Series Rev. A1.

Part No. 200200HD00
Printed in China

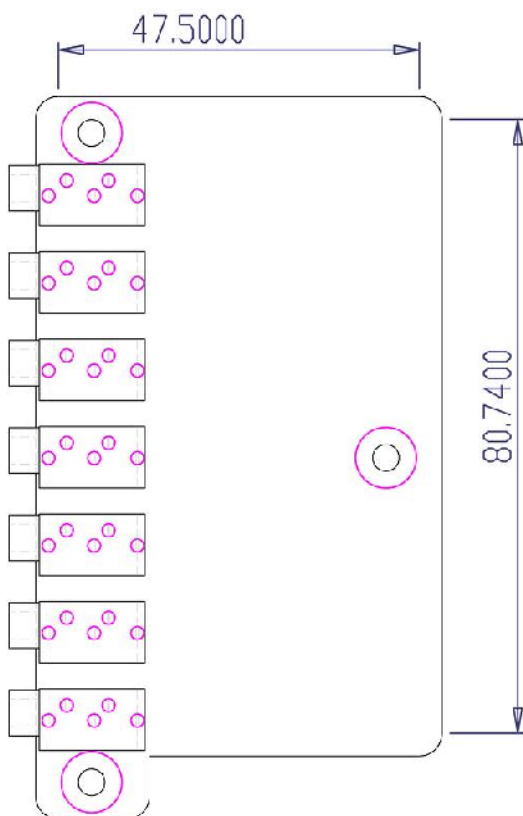
1st Edition
Apr. 2008

Jumpers and Connectors



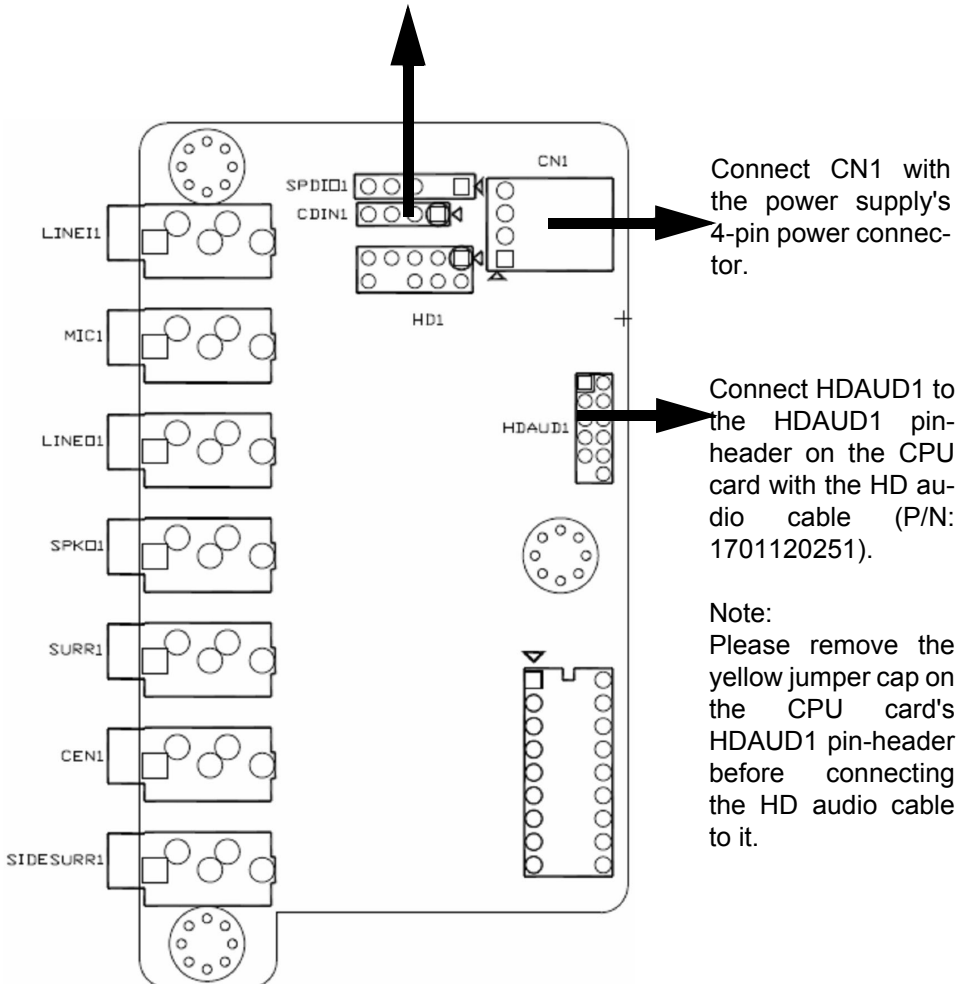
Board Dimensions

Unit: mm



Board Dimensions

Connect CDIN1 with the CD/DVD drive's CD-In connector with the audio line included in the CD/DVD drive accessory.



Connect CN1 with the power supply's 4-pin power connector.

Connect HDAUD1 to the HDAUD1 pin-header on the CPU card with the HD audio cable (P/N: 1701120251).

Note:

Please remove the yellow jumper cap on the CPU card's HDAUD1 pin-header before connecting the HD audio cable to it.