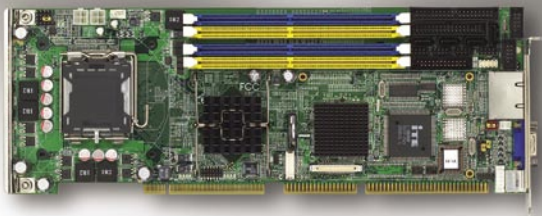


PCA-6190

LGA775 Pentium® 4/Celeron® D Processor Card with VGA/Dual GbE LAN/DVI



Features

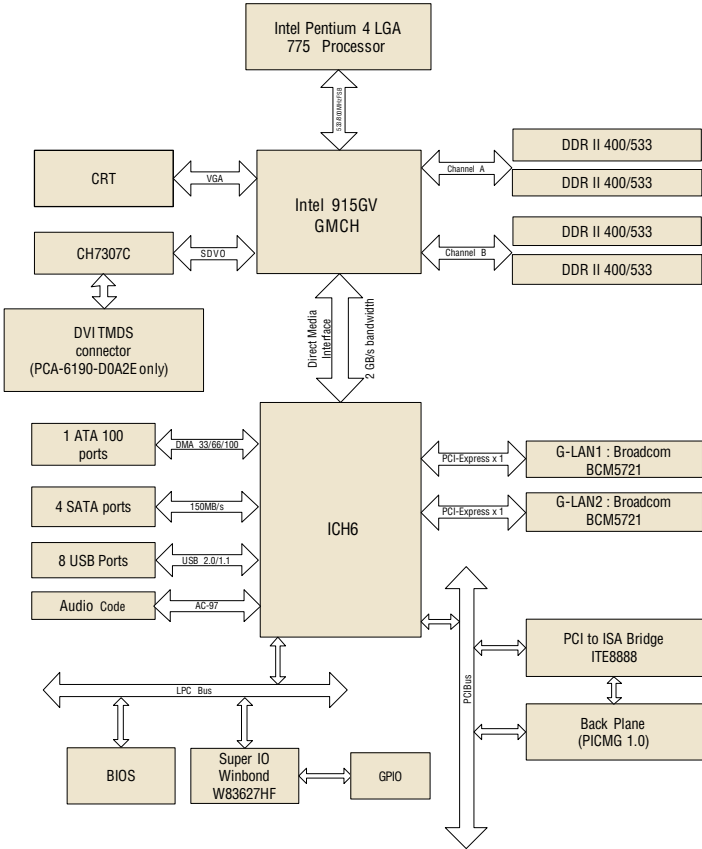
- Intel® 915GV (Grantsdale-GV) chipset 533/800 MHz FSB
- Supports dual channel DDR2 400/533 SDRAM
- Supports up to four Serial ATA devices
- Eight USB 2.0 ports
- Two PCI-Express x1 for LAN chip
- Supports DVI interface (PCA-6190G2-D0A2E only)
- 14-pin General Purpose I/O interface as 8-bit programmable Digital I/O or port80 function
- CMOS automatic backup and restore to prevent accidental data loss of BIOS setup



Specifications

| | | | |
|--------------------------|-------------------------|---|---------------------------|
| Processor System | CPU | Intel Pentium® 4 (Prescott) | Intel Celeron® D |
| | Max. Speed | 3.8 GHz (800 FSB) (90 nm and 65 nm) | 3.06 GHz (533 FSB) |
| | L2 Cache | 2 MB/1 MB | 256 KB |
| | Chipset | Intel® 915GV + ICH6 | |
| | BIOS | Award™ 4 Mbit FWH | |
| | Front Side Bus | 533/800 MHz | |
| Bus | PCI | PCI 32 bit/33 MHz ; 2 PCIe x1 for LAN chip | |
| | ISA | HISA (ISA high drive) | |
| Memory | Technology | Dual Channel DDR2 400/533 SDRAM | |
| | Max. Capacity | 4 GB | |
| | Socket | 240-pin DIMM x 4 | |
| Graphic | Controller | Chipset integrated VGA controller | |
| | VRAM | Dynamically shared system memory up to 128 MB | |
| Ethernet | Interface | 10/100/1000 Base-T | |
| | Controller | LAN 1: Broadcom® BCM 5721 LAN 2: Broadcom® BCM 5721 | |
| | Connector | RJ-45 x 2 | |
| SATA | Max. Data Transfer Rate | 150 MB/Sec. | |
| | Channel | 4 | |
| EIDE | Mode | ATA 100/66/33 | |
| | Channel | 1 (Max 2 devices) | |
| I/O Interface | USB | Max. 8 (USB 2.0 compliant, 480 Mbps, 8 by internal pin header) | |
| | Serial | 2 (RS-232) | |
| | Parallel | 1 (SPP/EPP/ECP) | |
| | FDD | 1 | |
| | PS/2 | 1 | |
| Watchdog Timer | Output | Interrupt, system reset | |
| | Interval | Programmable, 1 ~ 255 sec. | |
| Miscellaneous | Audio Output | AC-97 audio interface (requires an audio extension module P/N: PCA-AUDIO-00A1E) | |
| | Typical | Pentium 4 3.4 GHz (800 MHz FSB), 2 x 512 MB, 2 x 256 MB DDR2 533 SDRAM | |
| Power Requirement | +5 V | -5 V | +12 V -12 V |
| | 6.64 A | 0.01 A | 12.59 A 0.01 A |
| Environment | | Operating | Non-Operating |
| | Temperature | 0 ~ 60° C (32 ~ 140° F), depends on CPU's speed | -20 ~ 70° C (-4 ~ 158° F) |
| Physical Characteristics | Dimensions (W x D) | 338 x 122 mm (13.3" x 4.8") | |

Block Diagram



Ordering Information

| Part Number | VGA | DVI | Gigabit LAN |
|------------------|-----|-----|-------------|
| PCA-6190VG-00A2E | Yes | - | Single |
| PCA-6190G2-00A2E | Yes | - | Dual |
| PCA-6190G2-D0A2E | Yes | Yes | Dual |

Bracket View



PCA-6190VG-00A2E



PCA-6190G2-00A2E
PCA-6190G2-D0A2E

Packing List

| Part Number | Description | Quantity |
|-------------|---|----------|
| 1700340640 | FDD cable | x 1 |
| 1701400452 | IDE HDD cable | x 1 |
| 1700003194 | Serial ATA HDD data cable | x 2 |
| 1703150102 | Serial ATA HDD power cable | x 2 |
| 170304015K | ATX 12 V power converter cable | x 1 |
| 1701260305 | Printer + COM cable | x 1 |
| 1700060202 | Y cable for PS/2 mouse & keyboard | x 1 |
| 9689000068 | Jumper pack | x 1 |
| - | Startup manual | x 1 |
| - | Utility CD | x 1 |
| 1700000719 | USB cable with 4 ports | x 1 |
| 1701092300 | Dual COM port cable kit (for G2-00A2E and G2-D0A2E) | x 1 |
| 1700000821 | DVI Cable (G2-D0A2E only) | x 1 |

Accessories

| Part Number | Description |
|-------------|---|
| 1750000332 | CPU cooler for LGA775 Pentium 4 processor up to 3.8 GHz (115 w), for 2U or higher chassis |
| 1750000334 | CPU cooler for LGA775 Pentium 4 processor up to 3.8 GHz (115 w), for 4U or higher chassis |