

# 6U CompactPCI™ TM MIC-3950 Dual PMC Carrier Board

## Packing List

Before installing your board, ensure that the following materials have been received:

- One MIC-3950 CompactPCI PMC Carrier board
- One utility CD-ROM disc and user's manual(PDF file)
- One warranty certificate
- One Startup Manual

If any of these items are missing or damaged, contact your distributor or sales representative immediately.

## Technical Support and Sales Assistance

If you have any technical questions about the MIC-3950 or any other Advantech products, please visit our support website at:

- <http://www.advantech.com.tw/support>

For more information about Advantech's products and sales information, please visit:

- <http://www.advantech.com>

Part No. 2002395010

1st Edition

Printed in Taiwan

Oct. 2001

## Introduction

The MIC-3950 is a 6U CompactPCI carrier board which compliant with IEEE1386.1 PMC modules.

It supports two single-width PMC mezzanine modules and 32-bit PCI operation.

Once connected, the modules are accessed via front panel connections.

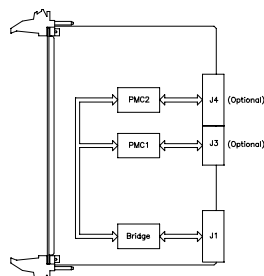
## Features

- 6U CompactPCI form factor
- 32-bit/33MHz CompactPCI interface
- Support dual PMC modules
- On-board PCI-to-PCI bridge

## Specifications

### Specifications

- **Bus Interface** : 32-bit/33 MHz Compliance CompactPCI Specification PICMG 2.0 R3.0  
CompactPCI PMC I/O Mapping Specification PICMG 2.3 R1.0  
IEEE P1386.1 PMC Specification, R2.3
- **PCI Bridge** : TI™ 2250 PCI-to-PCI Interface Bridge Chip
- **Operating Temp**: 0 ~ 60°C (32 ~ 140°F)
- **Storage Temp**: -20 ~ 80°C (-4 ~ 176°F)
- **Humidity**: 5 ~ 95% (non-condensing)
- **Power Consump**: 1 w @ 33 Mhz
- **Board Size**: 233.35 x 160 mm (6U size), 1-slot (4 TE) wide

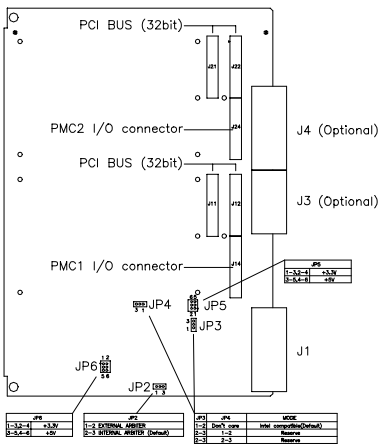


**MIC-3950 Block Diagram**

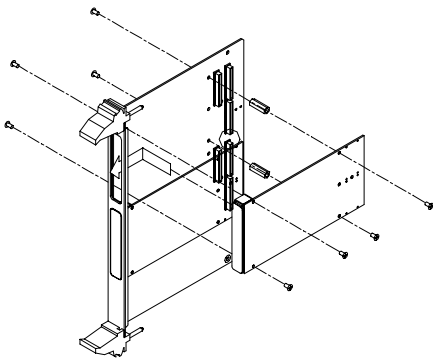
## Indicator and Connector Locations

**Table 1-1: MIC-3950 connector and indicator descriptions**

J1	Primary CompactPCI™ bus
J3, J4	Rear I/O transition
J11, J12	PMC-1 32-bit PCI bus
J21, J22	PMC-2 32-bit PCI BUS
J14, J24	PMC modules I/O
JP2	Internal/External Arbiter
JP3, JP4	PCI Bridge mode
JP5	PVIO voltage selector
JP6	SVIO voltage selector



**Figure 1-1: MIC-3950 indicator and connector locations**



PMC Installation

**Figure 1-2: PMC module installation**