

IPC-3012

Compact Embedded Chassis for PICMG 1.3 Half Size SHB

NEW

PICMG 1.3



Features

- Compact chassis with two expansion slot
- Support High Computing PICMG 1.3 Half Size SHB
- Support two 2.5" HDD for RAID 0,1 configure
- Optional bi-direction mounting on wall or workbench
- Top cover with thumb screw for easy maintenance

CE FCC RoHS COMPLIANT PRODUCT

Specifications

Disk Drive Bay	2.5"	Front-accessible	Internal
		-	2
Cooling	Fan	2 (6 cm/27 CFM)	
	Air Filters	Yes	
Front I/O interface	USB	2	
Miscellaneous	LED Indicators	Power, HDD	
	Control	Power Switch	
Environment		Operating	Non-operating
	Temperature	0 ~ 40° C (32 ~ 104° F)	-20 ~ 60° C (-4 ~ 140° F)
	Humidity	10 ~ 85 % @ 40° C, non-condensing	10 ~ 95 % @ 40° C, non-condensing
	Vibration (5-500 Hz)	1G	2 G
	Shock	10 G (with 11 ms duration, half sine wave)	
Physical Characteristics	Dimensions (W x H x D)	232 x 90 x 232 mm	
	Weight	3.24 kg (7.14 lb)	

Front view



Rear view

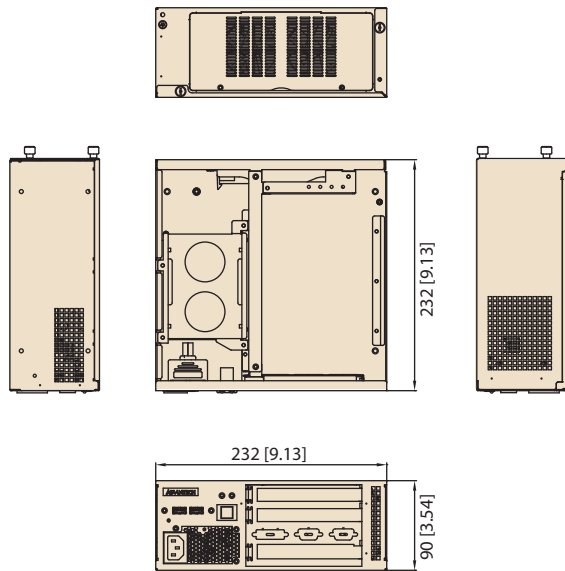


Inside view



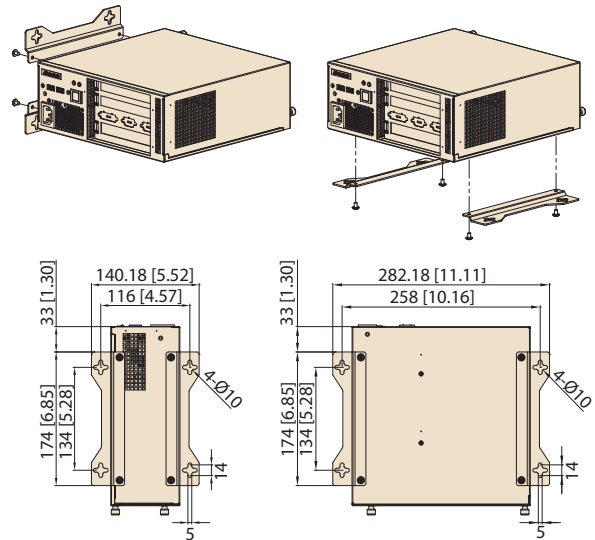
Dimensions

Unit: mm [inch]



Installation

Unit: mm [inch]



Ordering Information

Part Number	Power Supply
IPC-3012-25ZE	With power supply, with ATX switch

Backplane Options

Model	PICMG	PCIe
PCE-3B03A-00A1E	PICMG 1.3	1 (PCIe x4), 1 (PCIe x16)

Power Supply Options

Part Number	Watt	Input
1757004308-01	250 W	AC 100 ~ 240 V (full range)

Optional Accessories

Part Number	Description
1750002580	27.72 CFM, system fan 60 x 60 x 13 mm
1990005760T00B	Filter cover for ARK-6620
1960053207N001	LGA1156 1.5U CPU cooler for one expansion card
1960053065N001	LGA1156 1U CPU blower for two expansion cards

CPU board Options

Part Number	Description
PCE-3026G2-00A1E	PICMG 1.3 Half-size SHB