

DVP-2420E

2-ch PCI-104 MPEG-1/2/4 Video Capture Module



Features

- Video/audio MPEG-1/2/4 hardware compression and decompression
- Full-motion video/audio preview
- Simultaneous 2-channel preview, encoding and decoding
- Up to D1 resolution at 30/25 fps per channel
- SDK supports Windows® 2000/XP with VC++ sample code
- Four DI and four DO

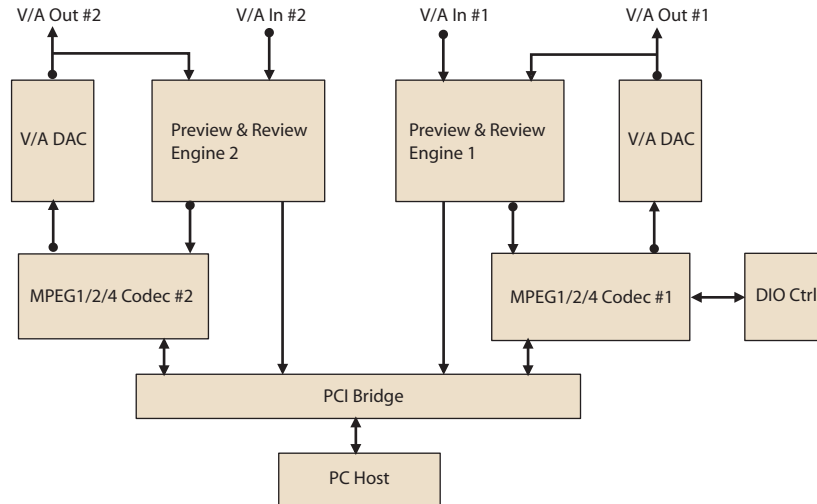
Introduction

The DVP-2420E is a PCI-104 module that supports two channel full-motion simultaneous video/audio capture and compression/decompression. It adopts a high performance MPEG-1/2/4 hardware codec to provide video with D1 resolution at 30/25 fps and MPEG-1 Layer II audio. Combined with an additional two channel full-motion preview and codec engine, the DVP-2420E is an ideal platform for high quality embedded video applications such as digital video surveillance, video conferencing, digital signage, set-top-box and IP video.

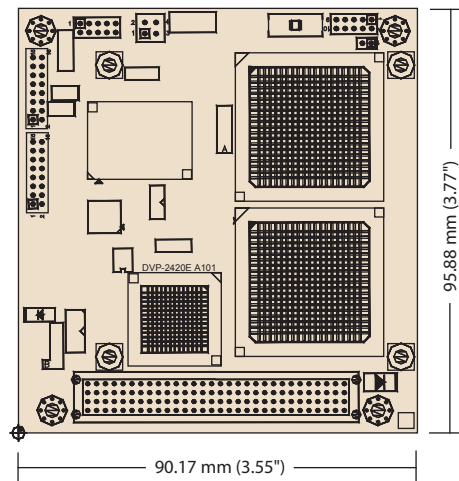
Specifications

Video	Video Standard	Composite for NTSC/PAL
	Video Input	2 x BNC connectors
	Resolution	D1 (NTSC: 720 x 480; PAL: 720 x 576)
	Max Recording Rate	30/25 fps (NTSC/PAL) for each channel
	Display Rate	30/25 fps (NTSC/PAL) for each channel
	Video Compression	MPEG-1/2/4
Audio	Video Output	2 x BNC connectors for decoded playback
	Audio Input	4 x stereo inputs
	Audio Output	2 x stereo outputs
	Audio Encoding	Supports MPEG1-Layer II
Software Development Kit	Operating System	Supports Windows XP and Windows 2000
	DirectX Required	Version 9 or above
	Demo Program	Complete demo program with VC++ sample code for reference
Physical Characteristics	Host Interface	PCI-104
	DIO	4DI/4DO (optional DI/O module)
	Operating Temperature	-10 ~ 60° C (14 ~ 140° F)
	Storing Temperature	-20 ~ 70° C (-4 ~ 158° F)
	Dimensions	95.88 x 90.17 mm (3.77" x 3.55")

Block Diagram



Dimensions



Unit: mm (inch)

Packing List

Part Number	Description	Quantity
9696P24200E	DVP-2420E video codec module	X 1
2062242000	Utility CD	X 1
1700001970	16-pin housing to D-sub 15 pin flat cable	X 2
1960004872	Card bracket for DVP-2420E	X 1
1700002014	15 cm DB-15 to BNC x 6 cable	X 2

Ordering Information

Part Number	Description
DVP-2420E	2 channel PCI-104 MPEG-1/2/4 video codec module
9696A20000E	DVP series DIO to isolated 4 DI and relay 4 DO extension kit