

AWS-843

Workstation with 10.4" SVGA LCD & PCI Backplane



Introduction

The AWS-843 is a standard 6U size industrial workstation. It is designed to be mounted in a 19" industrial rack or on a machine platform. The combination of control pads and LCD display creates a user-friendly interface perfect for industrial applications.

Compact Size

This light weight system is only 220 mm in depth. This makes it ideal for applications where space is limited.

Sturdy Structure

To compliment the splash and dust proof aluminum front panel the system chassis has been constructed out of heavy-duty stainless steel. This provides the system components with a great deal of corrosion resistant and structural protection. Furthermore, stainless steel does not require any extra painting or coating thus making the AWS-843 more environmentally-friendly. Component protection does not end with the chassis. Shatter-proof glass is used to protect the LCD display from the everyday abuse workstations are exposed to in industrial environments.

Expandability

The AWS-843 comes with two backplane options, one with 8 ISA slots and the other with 7 ISA/PCI slots for system expansion. Two 3.5" HDDs can be housed in independent vibration protected drive bays, there is also space reserved for one slim type CD-ROM.

Cooling System

To increase system stability two 49 CFM cooling fans have been placed in the back panel in addition to the fan already located in the power supply.

Quality Performance

The 800 x 600 SVGA LCD is standard with every AWS-843 though a 640 x 480 LCD version is still available. The 800 x 600 display is a great help when running graphic applications and operating system in full screen mode.

Specifications

- **Front panel:** Aluminum, meets NEMA 4 or IP 65
- **Construction:** Heavy-duty stainless steel chassis
- **Disk drive housing:** Supports one slim 3.5" FDD, two 3.5" HDDs & one slim CD-ROM (CD-ROM and HDD optional)
- **VGA card:** ISA-bus; PCA-6653, with 1 MB DRAM on-board, PCI-bus; PCA-6654LB, with 2 MB DRAM on-board
- **Cooling system:** Two 49 CFM fans on rear panel, one in power supply
- **Membrane keypads:** One with 60 data-entry keys, one with 10 function keys and 10 programmable macro function keys
- **Keyboard connector:** 5-pin DIN connector with dust-protection door on front panel
- **Indicators:** LEDs for Power On/Off and HDD activity
- **Touchscreen (optional):** Analog resistive type with RS-232 controller, 35 million touch lifetime
- **Operating temperature:** 0 ~ 50° C (32 ~ 122° F)
- **Relative humidity:** 5 ~ 85% @ 50° C, non-condensing
- **Dimensions (W x H x D):** 482x 266x 220 mm (19.0" x10.5" x8.7")
- **Gross Weight:** 11.6 kg (25.6 lbs)
- **Vibration (operation):**
 - 5 ~ 17 Hz, double-amplitude displacement
 - 17 ~ 500 Hz, 1.0 G peak to peak
- CE, FCC, BCIQ, CUL compliant

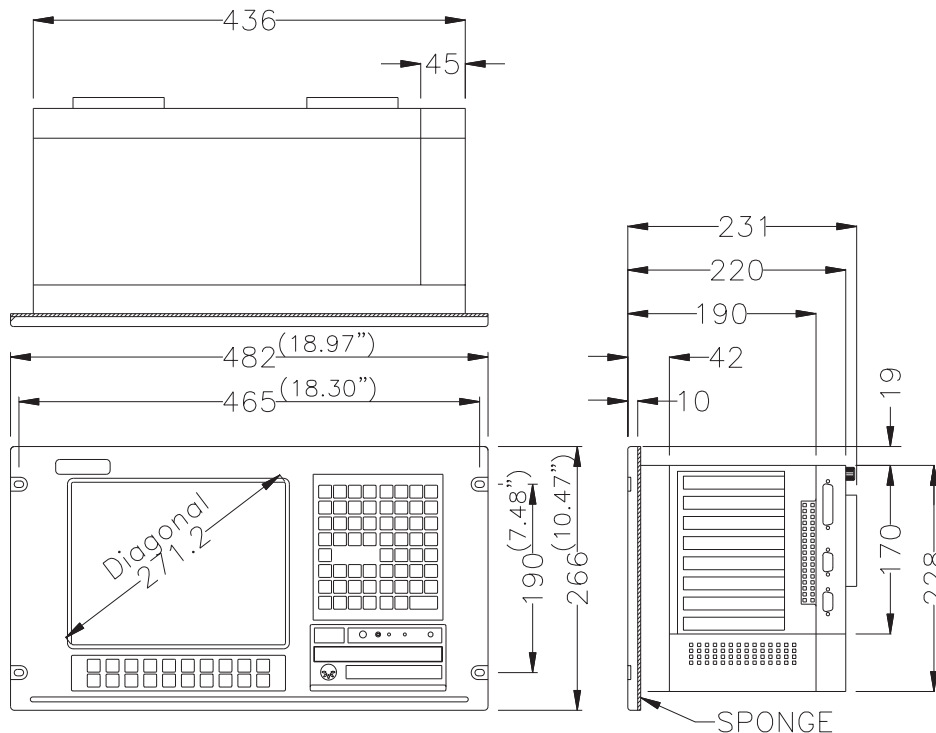
Passive Backplane

- PCA-6107P2: 4 ISA, 2 PCI, 1 CPU slots
- PCA-6108C: 8 ISA slots

Dimensions

Unit: mm

AWS-843



Cutout dimensions: 436 × 228 mm

Model	AWS-843T	AWS-843HTP
Display type	10.4" TFT color LCD	
Max. resolution	640 x 480	800 x 600
Max. colors	256K colors	
Dot size (mm)	0.33x0.33	0.26x0.26
Luminance (cd/m ²)	250	250
Viewing area(mm)	215.2 x 162.4	
Operating Temp	0 ~ 50° C	
VR control	Brightness	
Simultaneous mode	Yes	
LCD MTBF	50,000 Hrs	
Backlight MTBF	20,000 Hrs	25,000 Hrs
Default VGA card	PCA-6653	PCA-6654LB
Backplane	PCA-6108C	PCA-6107P2

Accessories

- CDR-842-0024
Slim 24X CD-ROM kit with support bracket

Note:

- *Pentium II based CPU version is available for OEM orders
- *A special front panel with a locking disk-door is available for OEM orders

Ordering Information

- AWS-843HTP
10.4" SVGA TFT LCD, 7 PCI/ISA slots, 260 W 110/220 V_{AC} power supply, 3.5" Slim FDD, PCA-6654LB PCI VGA card
- AWS-843TP
10.4" VGA TFT LCD, 7 PCI/ISA slots, 260 W 110/220 V_{AC} power supply, 3.5" Slim FDD, PCA-6654LB PCI VGA card
- AWS-843T
10.4" VGA TFT LCD, 8 ISA slots, 260 W 110/220 V_{AC} power supply, 3.5" Slim FDD, PCA-6653 ISA VGA card
- AWS-843HTP-T
AWS-843HTP + touchscreen (RS-232-bus interface)
- AWS-843TP-T
AWS-843TP + touchscreen (RS-232-bus interface)
- AWS-843T-T
AWS-843T + touchscreen (RS-232-bus interface)