

ARK-6622

Compact Embedded Mini-ITX Chassis with One Expansion Slot



Features

- Mini-ITX chassis supports front I/O interfaces and one expansion slot
- Shockproof disk drive bay for up to two 2.5" hard disks
- Bottom door for access to devices on the solder side of motherboard
- Equipped with Flex 180W AC ATX PFC power supply with power cord hook
- LED indicators for system fault detection
- Easy-to-maintain system fans and reusable filter
- Optional WLAN 802.11 b/g module and VESA mounting kit
- Supports dedicated Advantech motherboard: AIMB-210/258/262/270



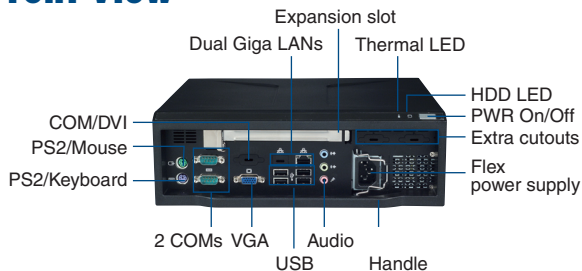
Specifications

Disk Drive Bay	2.5" (internal)	2	
Front I/O Openings	USB	4	
	PS/2	2	
	COM	2	
	DVI/COM	1	
	RJ-45	2	
	Audio	3 (Mic-in, Line-out, Line-in)	
	VGA	1	
	Expansion slot	1*	
	Reserved cutouts	2 x DB-9 and 2 x Wireless Antenna Opening	
	Cooling	System Fan	ARK-6622H
Air Filter		2 (6 cm/27.7CFM)	1 (6 cm/15.4CFM)
Miscellaneous	LED Indicators	Power, HDD, Temperature	
	Control	Power switch	
Environment	Temperature	Operating 0 ~ 40° C (32 ~ 104° F)	Non-operating -20 ~ 60° C (-4 ~ 140° F)
	Humidity	10 ~ 85%, @ 40° C, non-condensing	10 ~ 95%, @ 40° C, non-condensing
	Vibration (5 ~ 500 Hz)	1 Grms	2 G
	Shock	10 G (with 11ms duration, half sine wave)	30 G
Physical Characteristics	Dimensions (W x H x D)	272 x 88 x 232 mm (10.7" x 3.5" x 9.1")	
	Weight	3.49 kg (7.68 lb)	

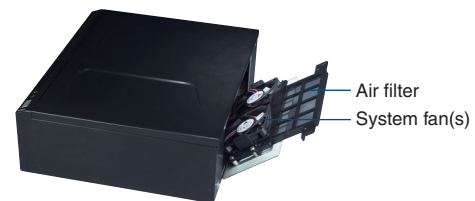
* The expansion slot is supported by dedicated riser cards, so an optional riser card is required for the add-on card.

* 176 mm (W) x 22 mm (H) space is available for add-on cards to assemble in slot.

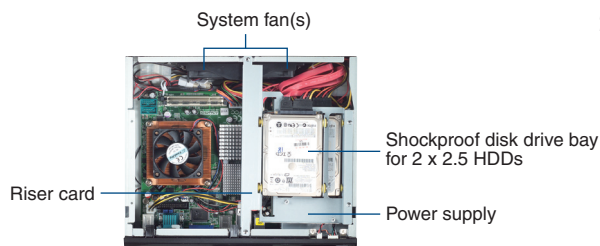
Front View



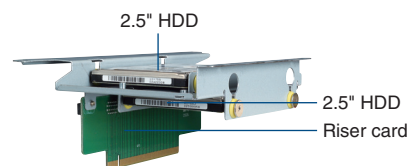
Rear Cover for Replacing Fans

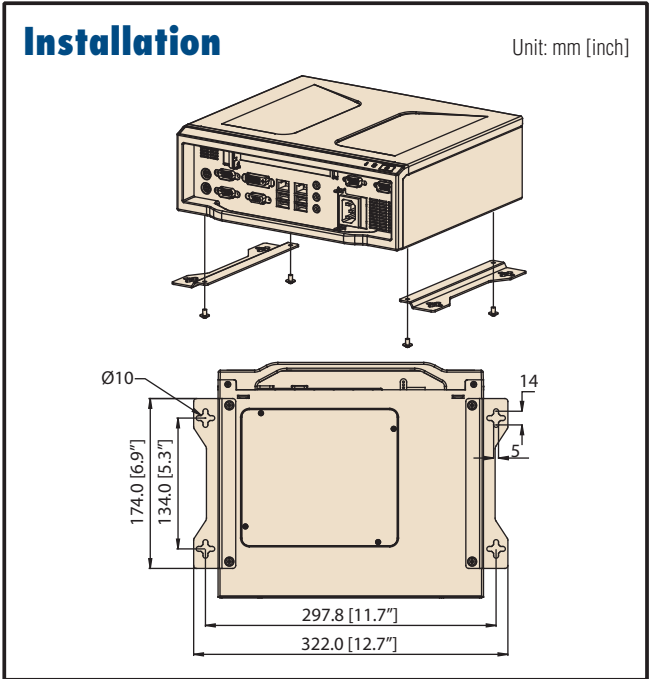
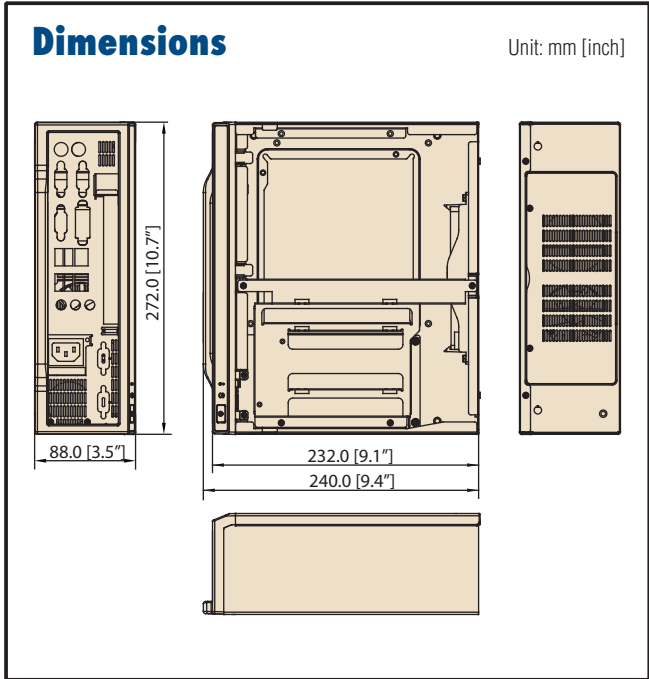


Inside View



2.5" HDDs and Riser Card Bracket





Power Supply Options

Part Number	Watts	Input	Output	Specifications		Safety	MTBF
				Mini-Load			
1757000878 (ATX, PFC)	180 W	AC 100 ~ 240 V	+5 V @ 16 A, +3.3 V @ 14 A, +12 V @ 14 A, -12 V @ 0.5 A, +5 Vsb @ 2 A	+5 V @ 0.3 A, +3.3 V @ 0.3 A, +12 V @ 0.3 A		UL/TUV/CE/CCC/CB	100,000 hours @ 25° C

Ordering Information

Part Number	Power Supply	System Fan	Recommended Motherboard	Recommended Riser Card	Regulation
ARK-6622H-18ZE	1757000878	1750002580 x 2	AIMB-270/262	9892662210E	CE, FCC
ARK-6622L-18ZE	1757000878	1750005863 x 1	AIMB-258 AIMB-210	9892662210E 9892662200E	CE, FCC

Optional Accessories

Part Number	Description
1960046922S000	1U LGA775 CPU cooler for AIMB-262
9892662200E	PCI Interface Riser Card (for AIMB-210)
9892662210E	PCIe x16 Interface Riser Card (AIMB-258/262/270)
989K008732	VESA mounting kit
ARK-WLAN-USBE	Wireless LAN module with USB interface