

# ARK-3399

## Intel® Core™ Duo/Core™ 2 Duo Compact System

**NEW**



### Features

- Built-in Intel® CoreDuo/Core 2 Duo LV/ULV Processor
- Sealed construction with fanless operation
- Anti-Vibration to ensure maximum reliability
- Easy integration, easy maintenance, few parts, and wide input voltage range

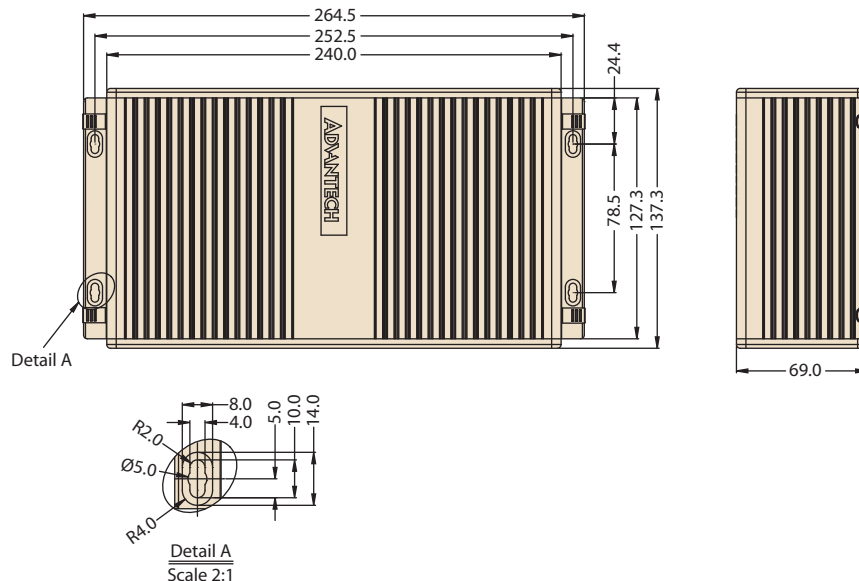


### Specifications

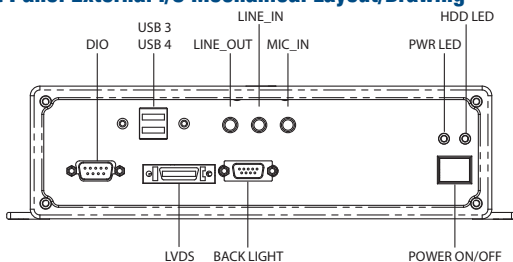
Processor System	CPU	Intel uFCBGA 479-pin CoreDuo/Core 2 Duo LV/ULV Processor with FSB 533 MHz or 667 MHz FSB CoreDuo LV 1.66 GHz (2 MB L2 Cache) Core2Duo ULV 1.06 GHz (2 MB L2 Cache) Celeron M ULV 1.06 GHz (1 MB L2 Cache)
	System Chipset	Intel 945GME Intel ICH7-M Chipset 533/667 MHz FSB
	BIOS	4-Mbit Flash BIOS, supports Plug & Play, APM 1.2
	System Memory	1 x 200-pin SODIMM socket, Supports DDR2 SDRAM up to 2 GB
Graphics	Chipset	Integrated graphics built in to Intel 945GME, Intel 3.5 Generation Integrated Graphics Engine
	Memory	Dynamic Video Memory Allocation up to 224 MB
	Interface	CRT Interface, 48-bit LVDS interfaces
Ethernet	Controller	Intel 82541PI 10/100/1000 Base-T Ethernet controller
Audio	Interface	Speaker-out, Mic-in, Line-in
Others	Serial Interface	1 x RS-232 port and 1 x RS-232/422/485 port
	USB Interface	5 x USB ports, USB 2.0 Compliant
	Watchdog timer	255 levels timer interval, setup by software
	DIO	Support 8 bit Digital IO
	Keyboard/Mouse	Supports PS/2 Mouse and PS/2 Keyboard
Software Options		Windows XP Embedded, Windows 2000/XP, Windows Vista
Storage	HDD	Supports drive bay space for SATA 2.5" HDD
	SSD	Supports CompactFlash socket for type I/II CompactFlash disk
Mechanical	Construction	Aluminum housing
	Mounting	Din-Rail mounting, Desk/wall-mounting
	Dimensions (W x H x D)	264.5 x 69.2 x 137.25 mm (10.41" x 2.72" x 5.4")
	Weight	2 kg (4.4 lb)
Power	Power Consumption	Typical 26 W, Max: 40 W
	Input Voltage	9 V <sub>DC</sub> ~ 34 V <sub>DC</sub> , ATX
Environment	Operating Temperature	With Industrial Grade CompactFlash disk: 0 ~ 55° C With 2.5-inch extended temperature hard disk 0 to 45° C, with air flow
	Relative Humidity	95% @ 40° C (non-condensing)
	Vibration Loading During Operation	With CompactFlash disk: 5 Grms, IEC 60068-2-64, random, 5 ~ 500 Hz, 1 Oct./min, 1 hr/axis. With 2.5-inch hard disk: 1 Grms, IEC 60068-2-64, random, 5 ~ 500 Hz, 1 Oct./min, 1 hr/axis.
	Shock During Operation	With CompactFlash disk: 50 G, IEC 60068-2-27, half sine, 11 ms duration With hard disk: 20 G, IEC 60068-2-27, half sine, 11 ms duration
	EMC	CE/FCC Class A, CCC, BSMI
	Safety Certifications	CE, UL, CCC, BSMI

## Dimensions

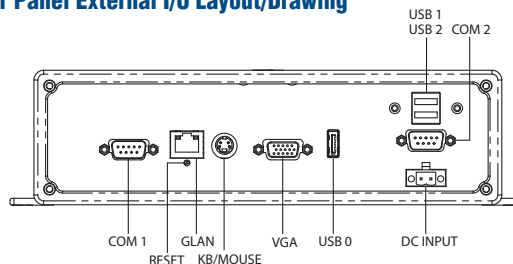
Unit: mm



### Front Panel External I/O Mechanical Layout/Drawing



### Rear Panel External I/O Layout/Drawing



## Packing List

Part Number	Description
-	1 x ARK-3399 Unit
1997001110	
1997001120	
1997001130	1 x DIN-rail Mounting Kit
1997001140	
1700060202	1 x PS2 Keyboard/Mouse Cable
2066339900	1 x Utility CD
1700001967	1 x Flat cable for RS-485/422 mode of COM2
1700001394	1 x 2-pin Phoenix to DC-Jack power cable

## Ordering Information

Part Number	Description
ARK-3399-1S0A1E	Celeron M 1.06 GHz Embedded Box Computer, with VGA/LVDS, GigaLAN, 5 x USB, 1 x RS-232, 1 x RS-32/422/485
ARK-3399-1S1A1E	Core2Duo ULV 1.06 GHz, Embedded Box Computer, with VGA/LVDS, GigaLAN, 5 x USB ports, 1 x RS-232 port, 1 x RS-232/422/485 port
ARK-3399-1S6A1E	Core Duo LV 1.66 GHz Embedded Box Computer, with VGA/LVDS, GigaLAN, 5 x USB ports, 1 x RS-232 port, 1 x RS-32/422/485 port

## Optional Items

### External AC-to-DC Adapter and Power Cable

Part Number	Description
1757000222	AC-to-DC Adapter, DC19 V/3.42 A 65 W, with Phoenix Power Plug, 0 ~ 40° C for Home and Office Use
1700001947	Power cable 2-pin 180 cm, USA for ARK-338X
1700001948	Power cable 2-pin 180 cm, Europe for ARK-338X
1700001949	Power cable 2-pin 180 cm, UK for ARK-338X
1700008972	Power cable 2-pin 180 cm, CCC for ARK-338X