

SOM-DB2300 For SOM144

Revision History:

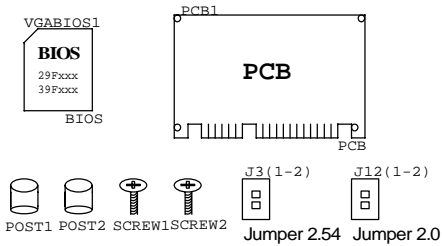
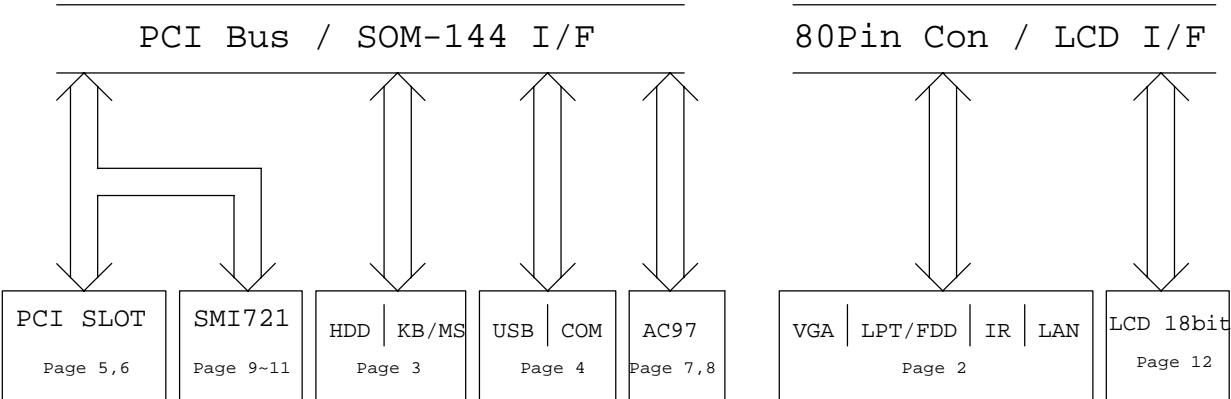
SOM-DB2300 REV.A1 01-1 Date: 2001/04/23

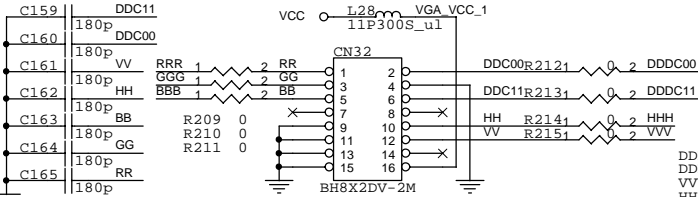
1906230000 PCB SOM-DB2300 Rev.A101-1 L:4 C:G 1.6mm

SOM-DB2300 REV.A1 02-1 Date: 2001/06/19

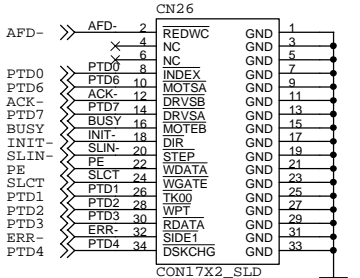
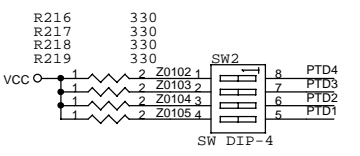
1906230001 PCB SOM-DB2300 Rev.A1 02-1 L:4 C:G 1.6mm
 PG2 -Add C159~C165,R209~R219
 PG3 -Add R208,R221~R225
 PG4 -ADD R226~R229
 PG10 -ADD RN29,RN30,R232,R233,R234
 PG11 -MODIFY VCC3.3V,VCC2.5V
 PG12 -ADD RN31~RN34,R238~R243

Page Index	
1	Title Page (Block Diagram)
2	SOM 80PIN B/B CONNECTOR
3	SOM 144PIN SODIMM
4	USB COM port
5	PCI SLOT1
6	PCI SLOT2,3
7	AUDIO CODEC
8	AUDIO CONNECTOR
9	VGA SMI721
10	VGA SMI721 CONNECTOR
11	VGA SMI721 BIOS POWER
12	GX1 LCD CONNECTOR
13	RTL8139C-NL

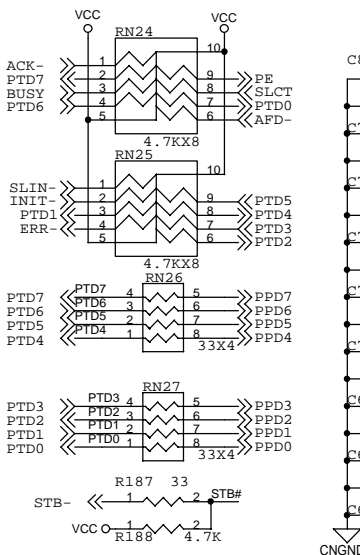




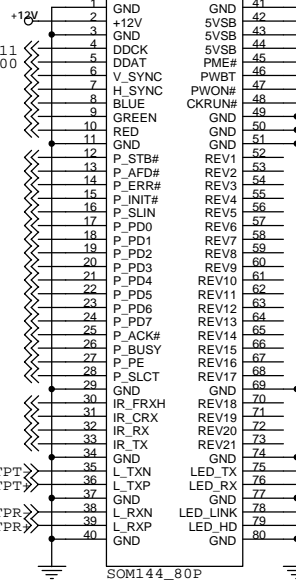
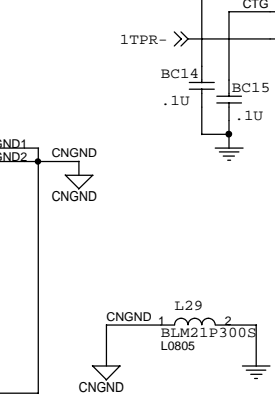
CRT of SOM2353



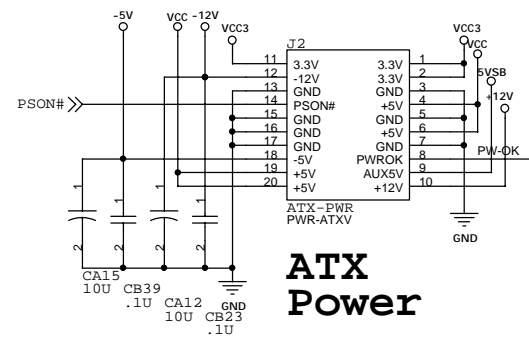
EXT FDC



LPT

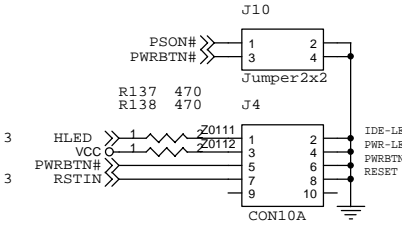
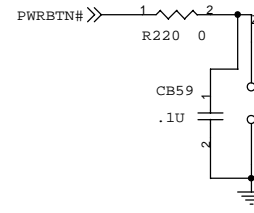


B/B 80PIN

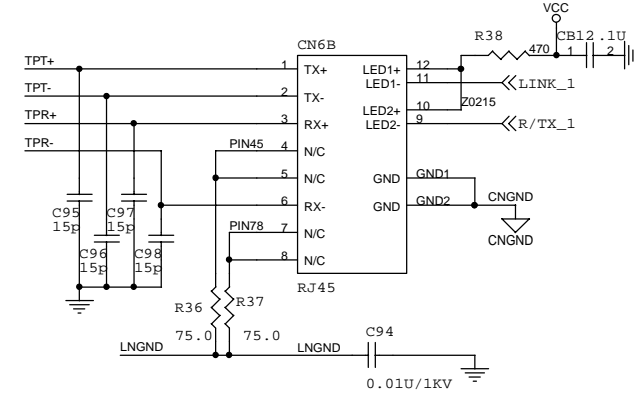


ATX Power

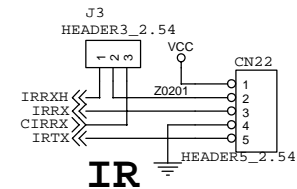
PWRBTN



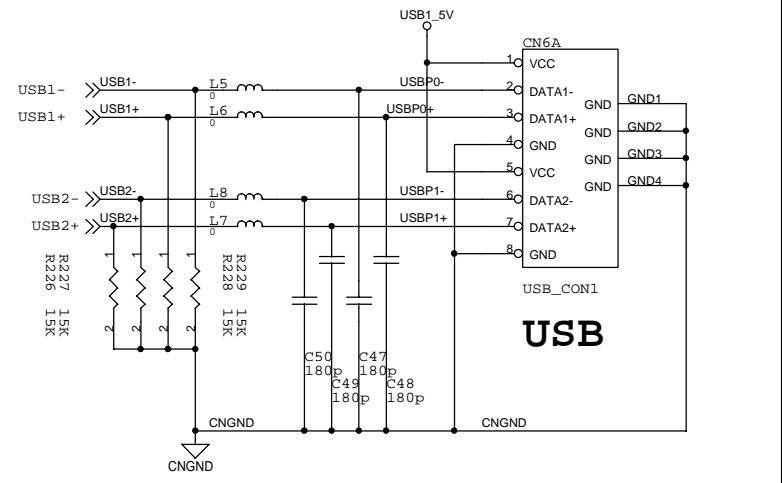
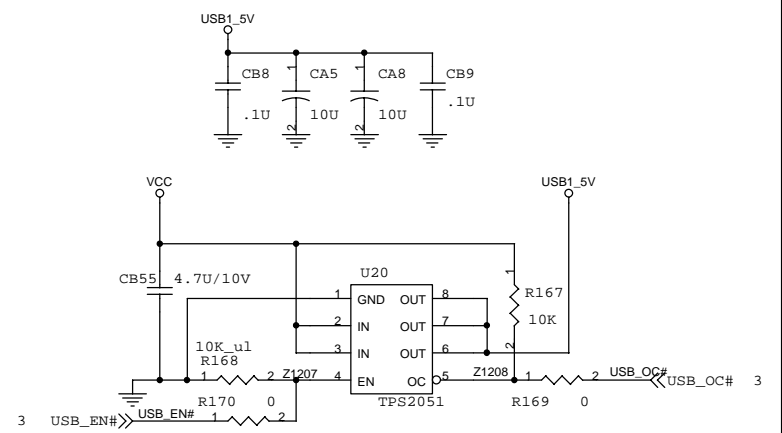
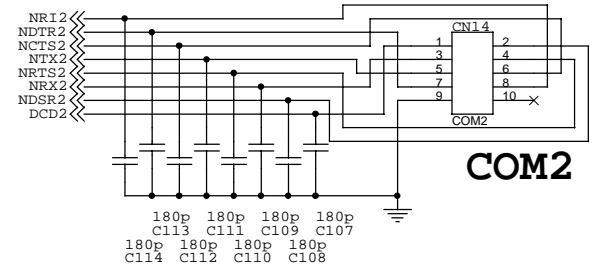
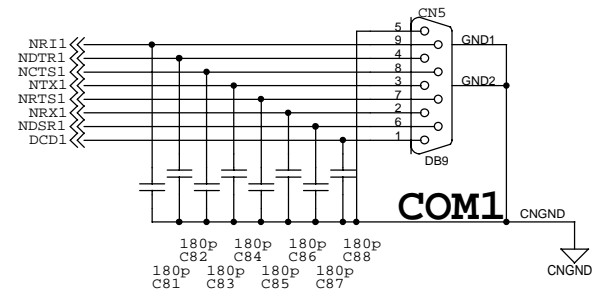
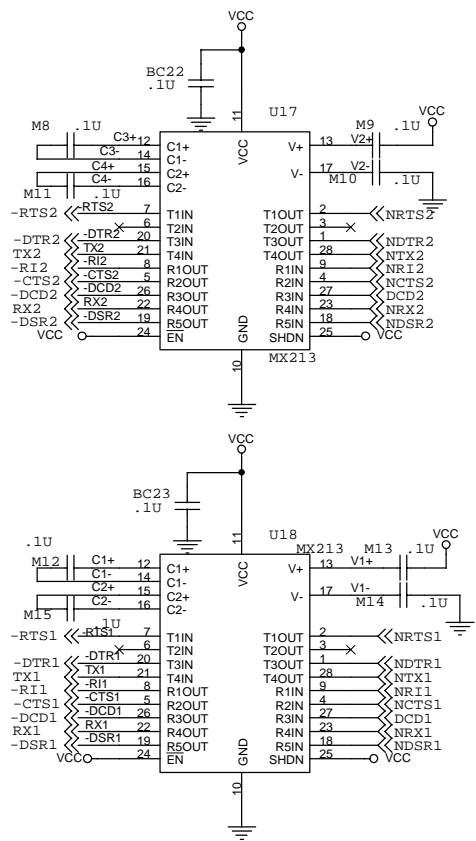
ETHERNET



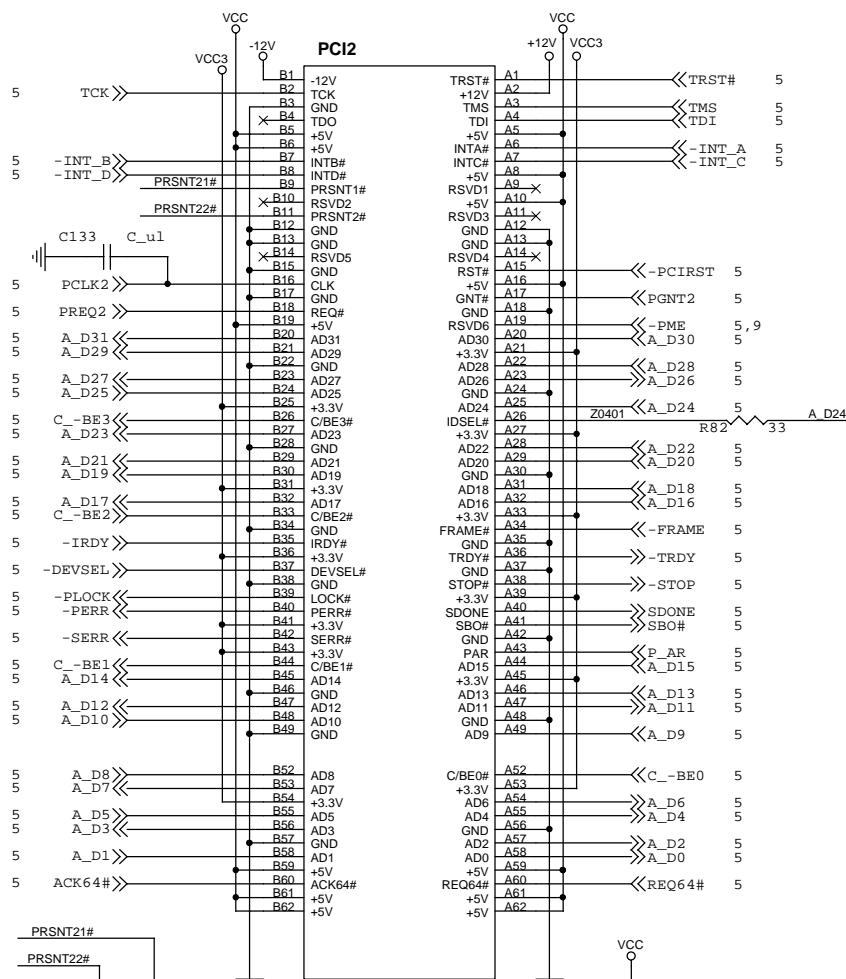
ADVANTECH		
SOM80PIN		
Title	Document Number	Rev
Size	1190	A1
Custom	SOM DB2300 A102-1	
Date:	Monday, September 03, 2001	Sheet 2 of 13



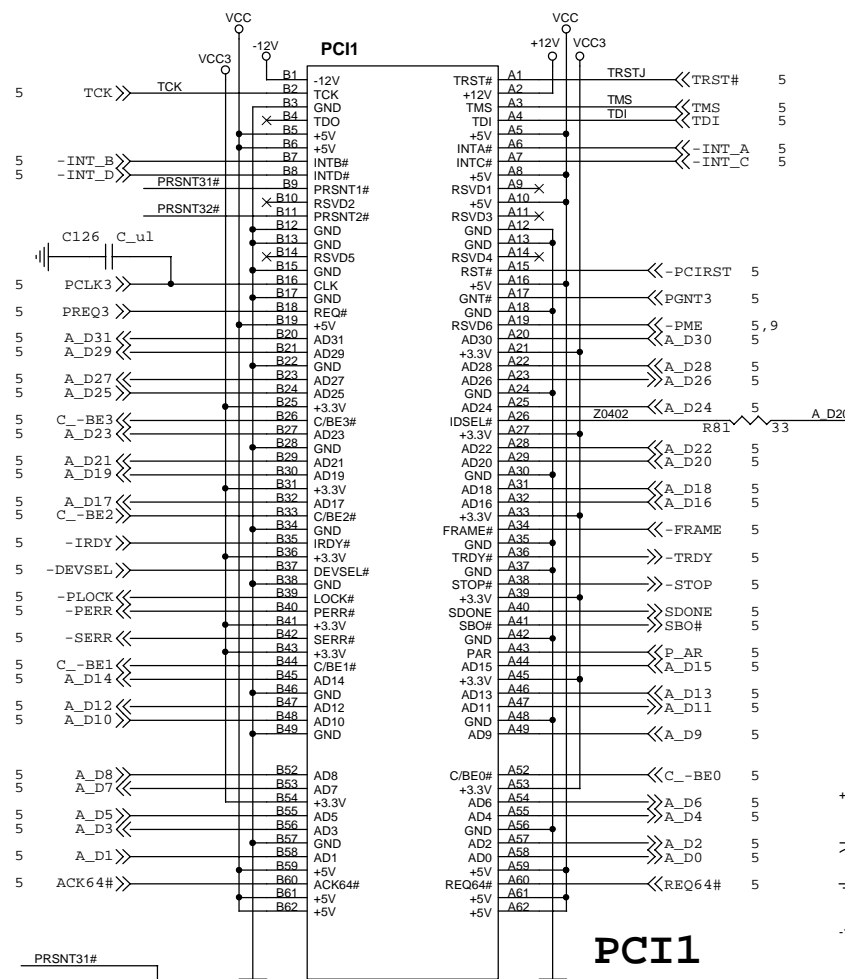
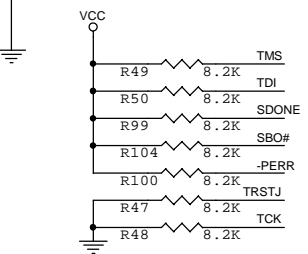
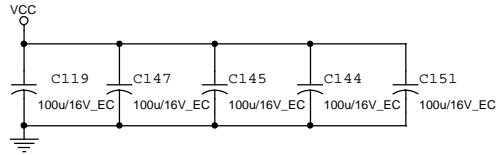
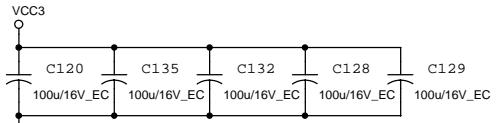
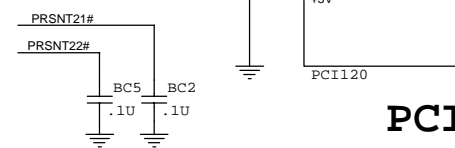
IR



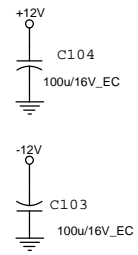
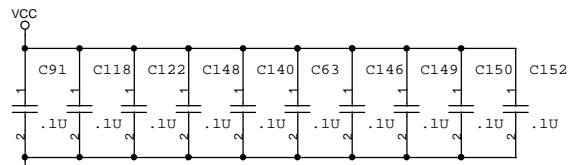
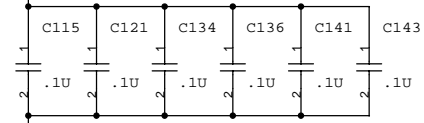
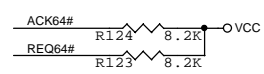
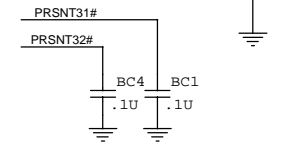
ADVANTECH		
B/B CON/KB/IR/GPIO/RESET		
Title		
Size	Document Number	Rev
Custom	1190	A1
SOM DB2300 A102-1		
Date:	Monday, September 03, 2001	Sheet 4 of 13



PCI2

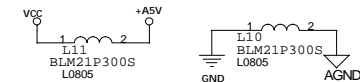
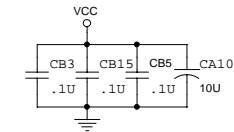
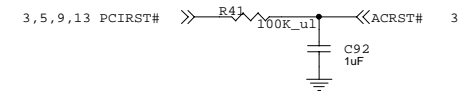
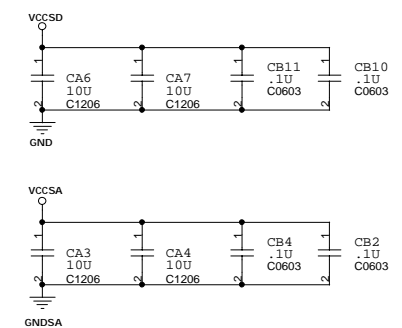
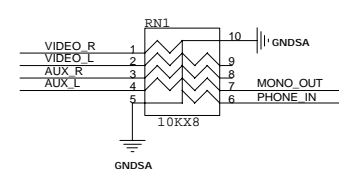
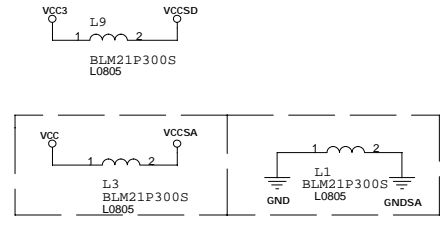
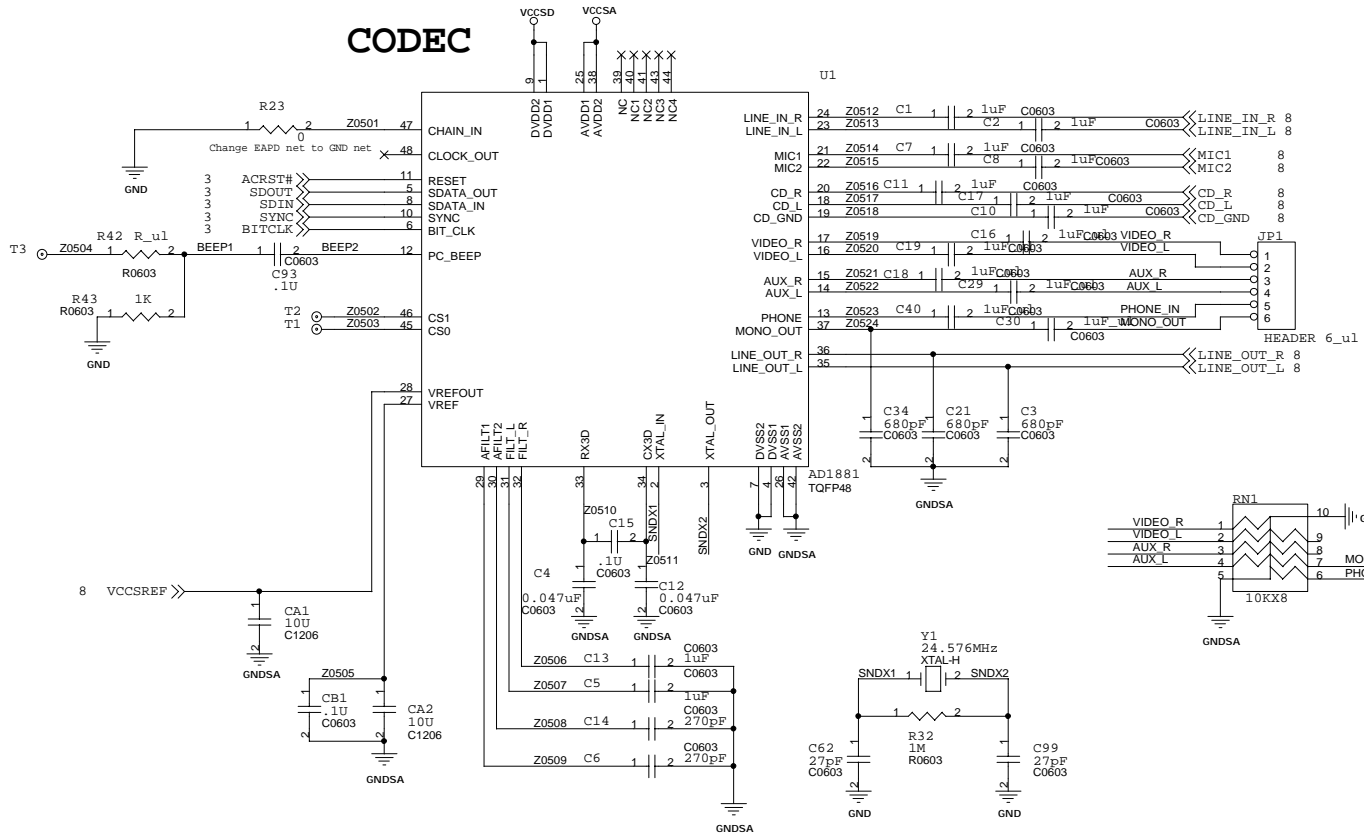


PCI1

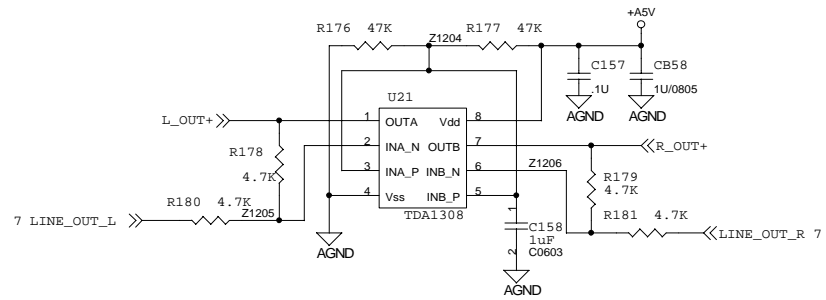
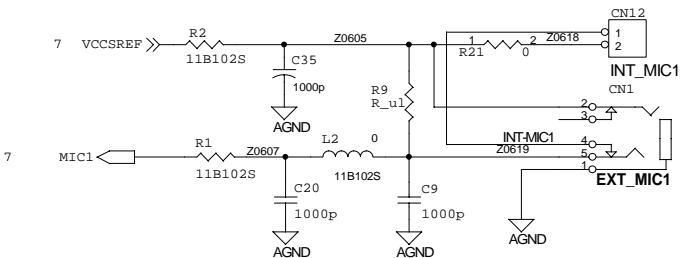
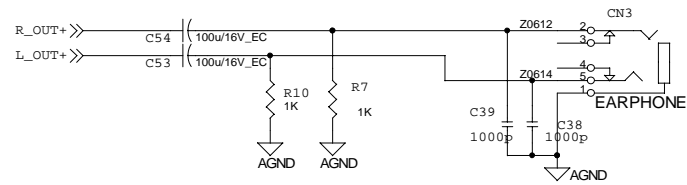
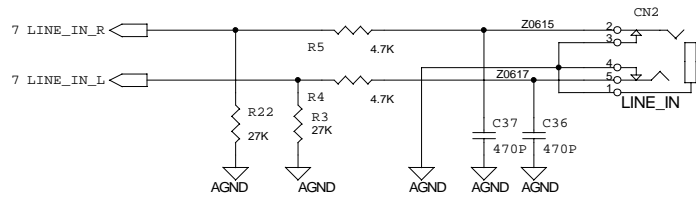
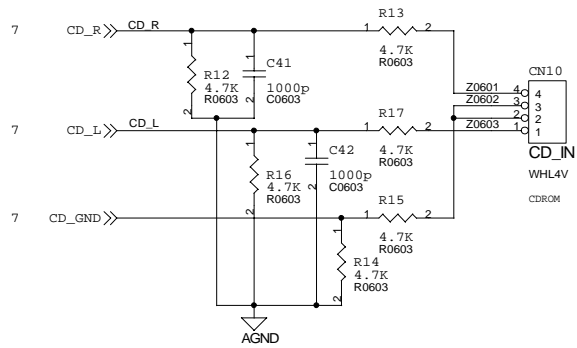


ADVANTECH		
PCI2/3		
Title	PCI2/3	
Size	Document Number	Rev
Custom	1190	A1
Date:	Monday, September 03, 2001	Sheet 6 of 13

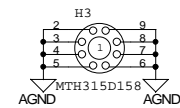
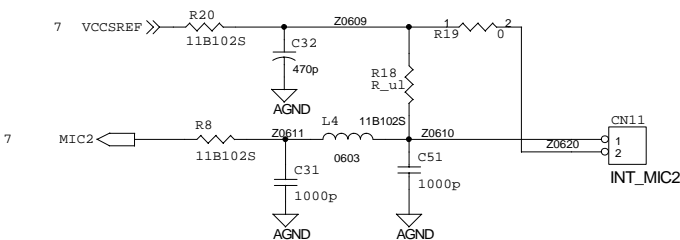
CODEC



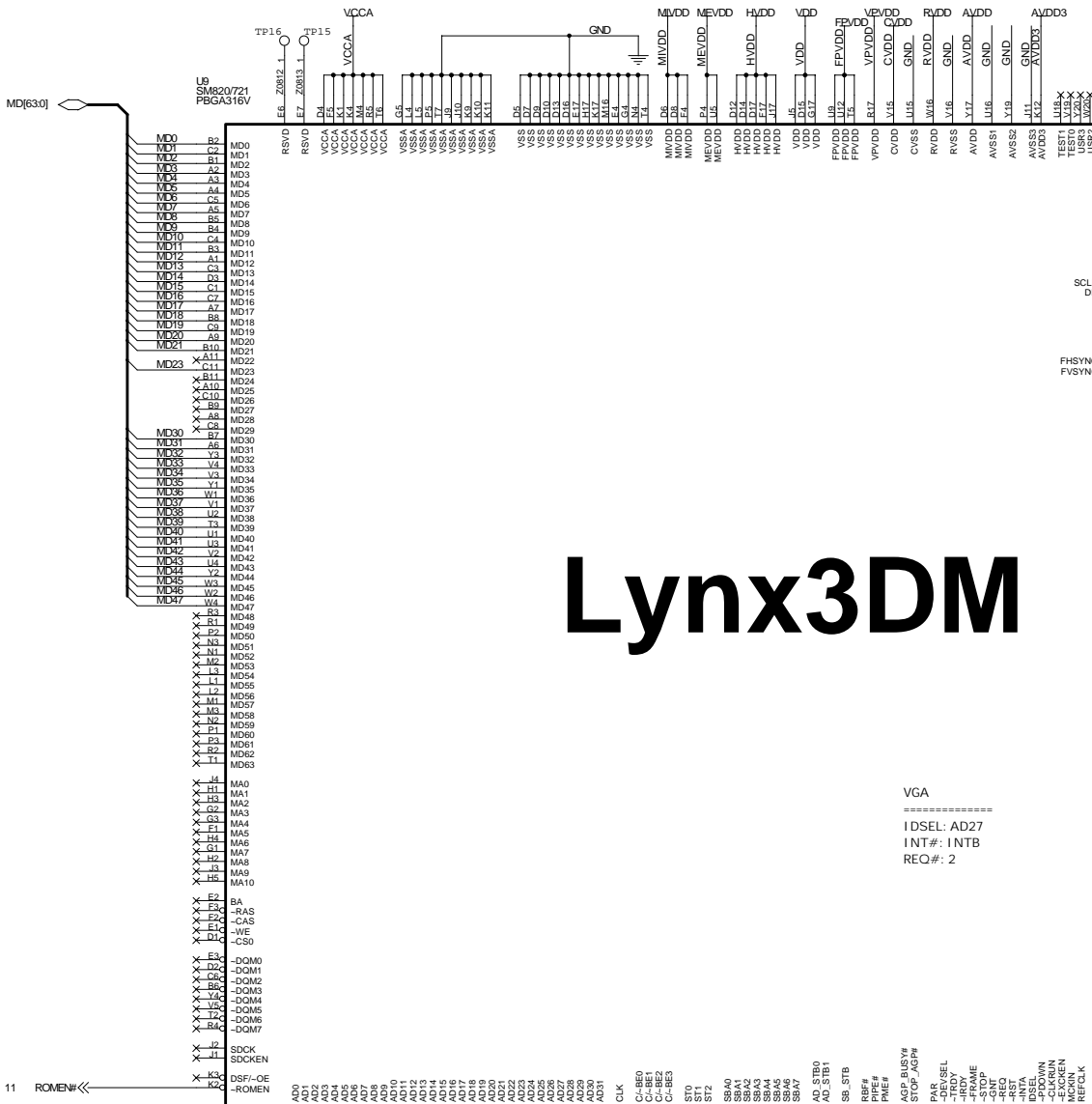
ADVANTECH		
AUDIO CODEC&AMP.		
Title		
Size	Document Number	Rev
A3	1190	A1
Date:	Monday, September 03, 2001 Sheet 7 of 13	



OP Amp

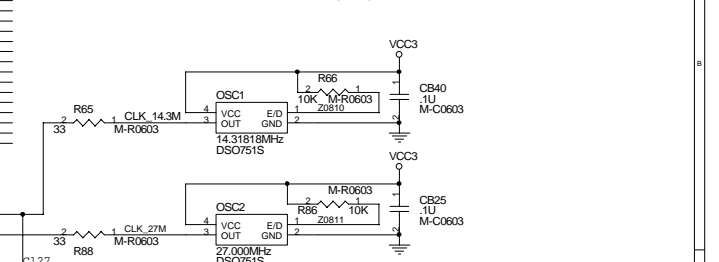
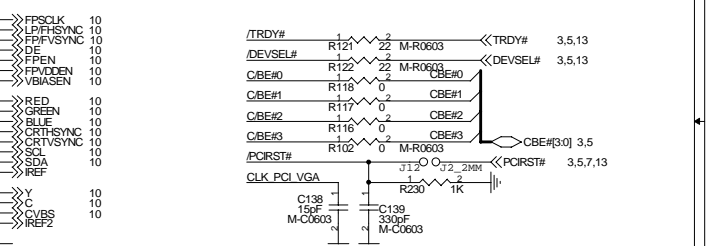
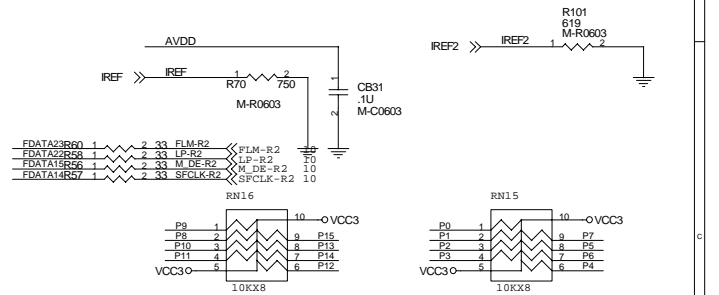
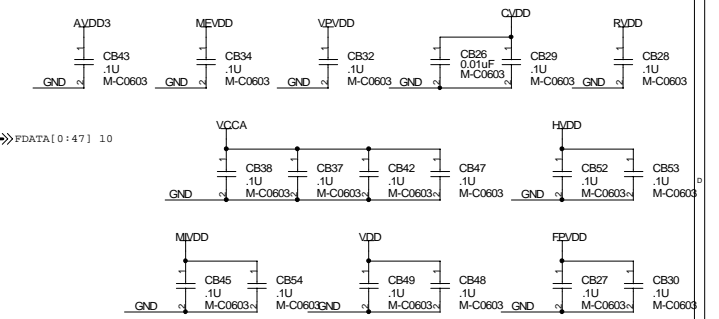


ADVANTECH		
AUDIO CON.		
Title		
Size	Document Number	Rev
A3	1190	A1
Date: Monday, September 03, 2001		Sheet 8 of 13

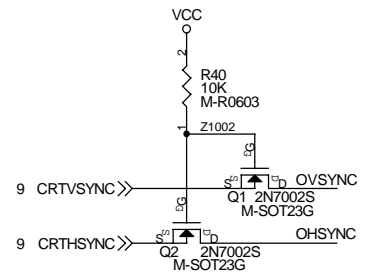
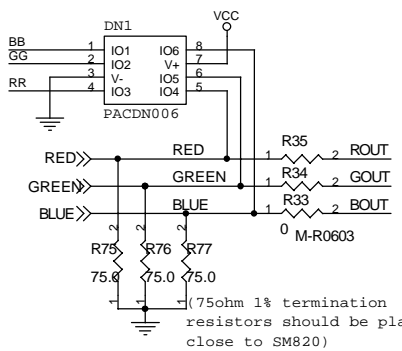


Lynx3DM

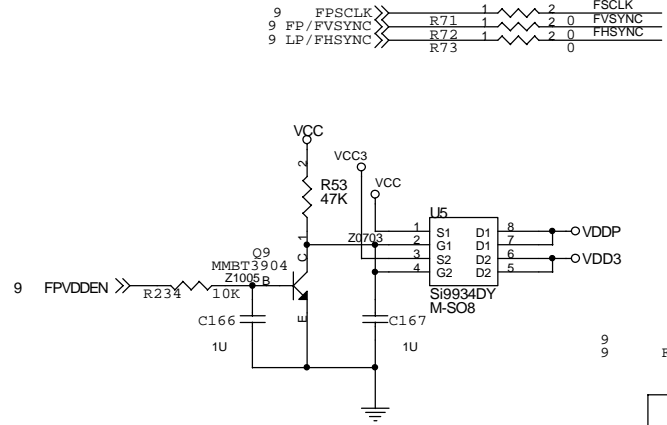
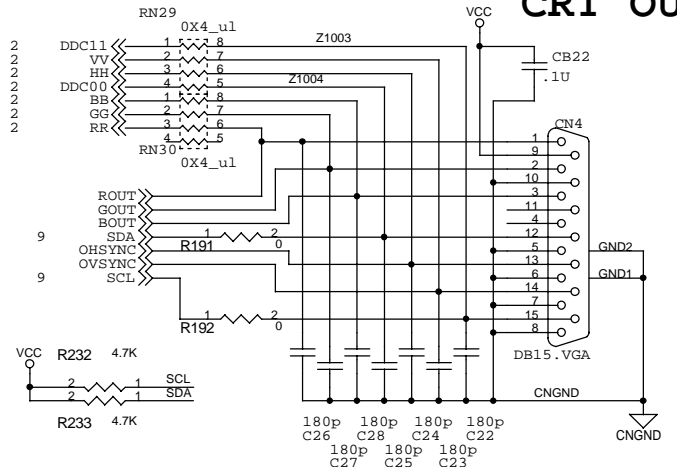
VGA
 IDSEL: AD27
 INT#: INTB
 REQ#: 2



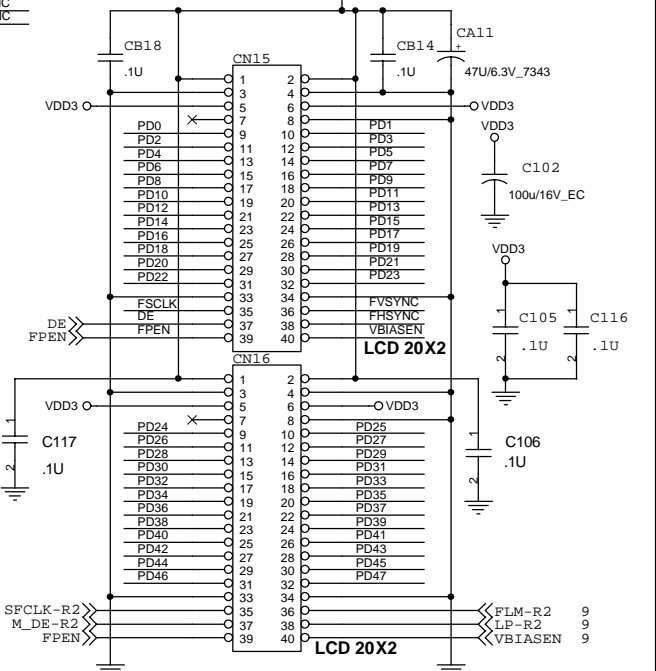
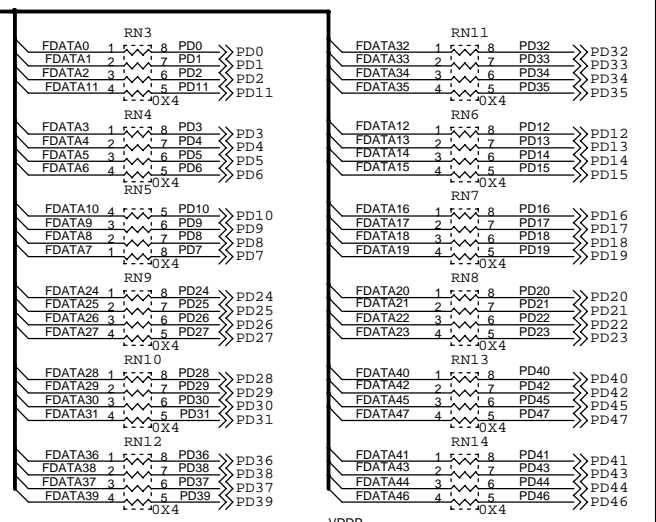
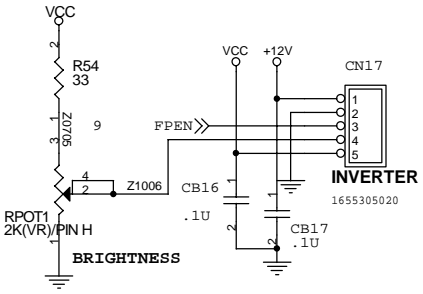
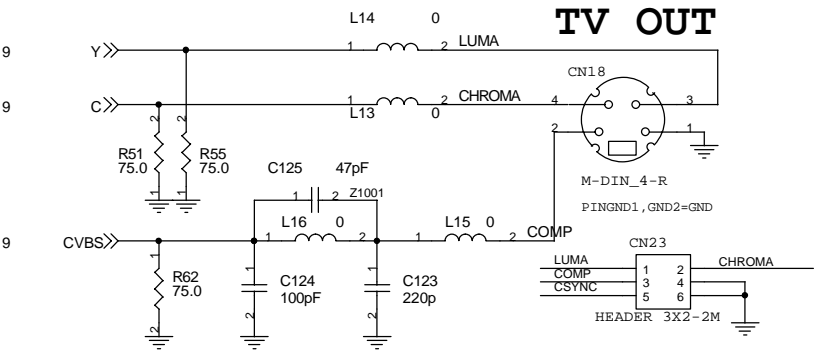
VGA SMI 721
 IDSEL=AD22
 INTC#
 PCI_GNT2#
 PCI_REQ2#
 PCI_CLK_VGA(PCI_CLK2)



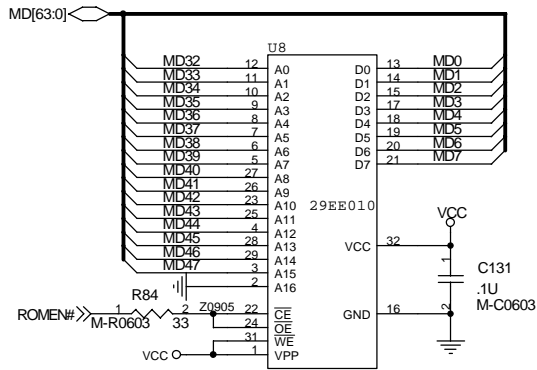
CRT OUT



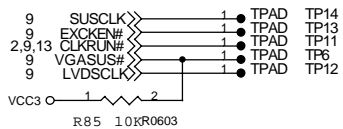
TV OUT



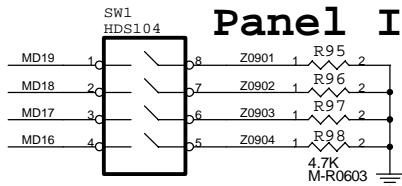
LCD CON.		
ADVANTECH		
CRT/TV-OUT/LCD		
Title	Document Number	Rev
	1190	A1
SOM DB2300 A102-1		
Date:	Monday, September 03, 2001	Sheet 10 of 13



Video BIOS



Panel ID

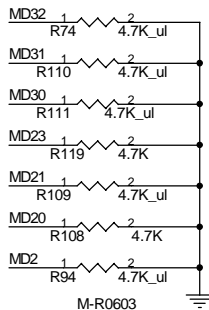


Primary LCD Panel Display Settings:

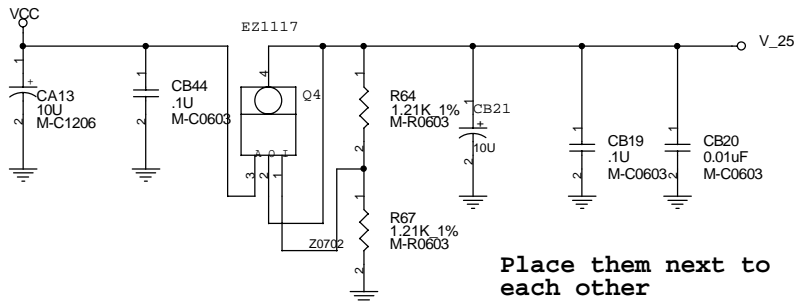
SW	MD Bits	STATE	SETTING
1:4	MD[19:16]	0 0 0 0	640 x 480 TFT
		0 0 0 1	640 x 480, 16-bit DSTN
		0 0 1 0	800 x 600 TFT
		0 0 1 1	800 x 600, 16-bit DSTN
		0 1 0 0	1024 x 768 TFT
		0 1 0 1	1024 x 768, 24-bit DSTN
		1 0 0 1	1024 x 768, 36-bit TFT
		1 0 1 0	1024 x 768, 48-bit TFT
		1 1 1 1	No Panel ID Assigned

Notes:

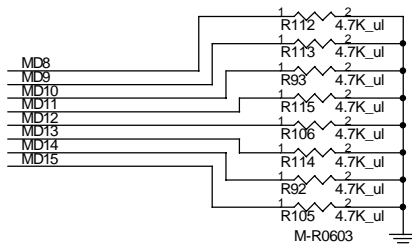
- MD pins have internal pull-up resistors
- 0 = Switch is SHORTED; 1 = Switch is OPEN
- TFT Panel Default Interface = 18-bit, 6-bit per RGB
- If MD[19:16] = 1111, then MD[15:8] have to be used.



M-R0603



Place them next to each other



Panel Display Settings:

SW	MD Bits	STATE	SETTING
1	MD8	0	TFT
		1	DSTN
2	MD9	0	FPCLK Normal
		1	FPCLK Inverted
4:3	MD[11:10]	0 0	640 x 480
		0 1	800 x 600
		1 0	1024 x 768
		1 1	1280 x 1024
7:6:5	MD[14:12]	0 0 0	9-BIT TFT
		0 0 1	12-BIT TFT
		0 1 0	18-BIT TFT
		0 1 1	24-BIT TFT
		1 0 0	12x2 - BIT TFT
		1 0 1	ANALOGTFT
		1 1 0	18x2 - BIT TFT
		1 1 1	16-BIT DSTN
8	MD15	0	16-BIT DSTN
		1	24-BIT DSTN

Notes:

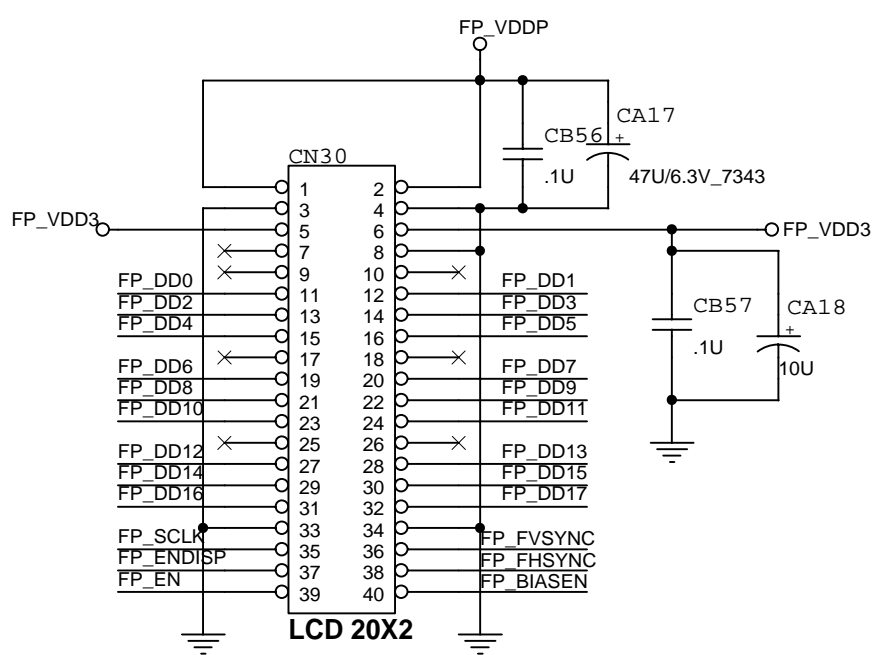
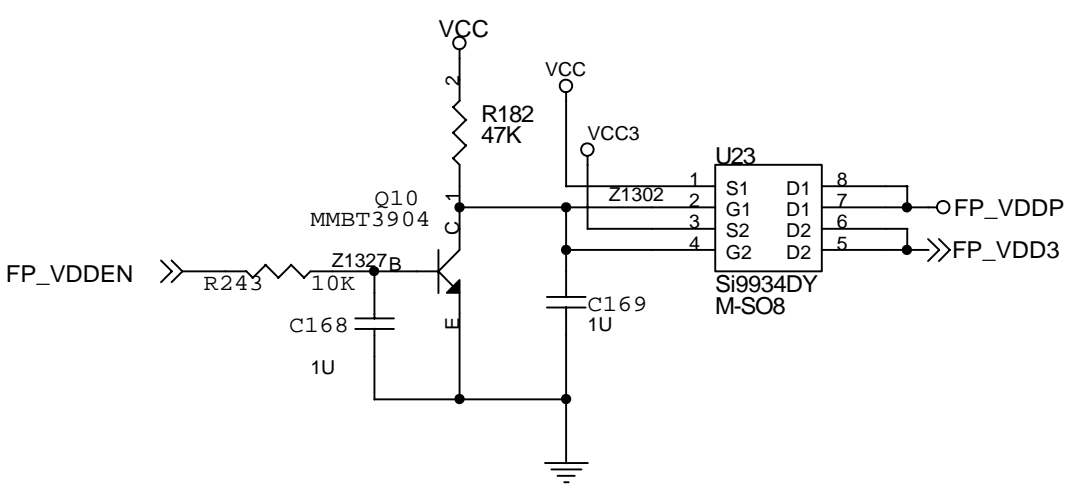
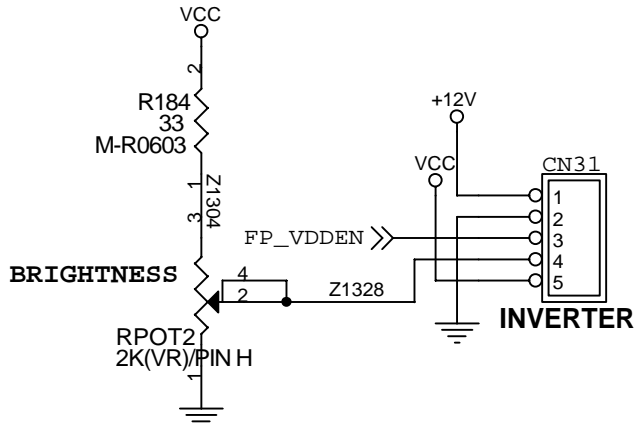
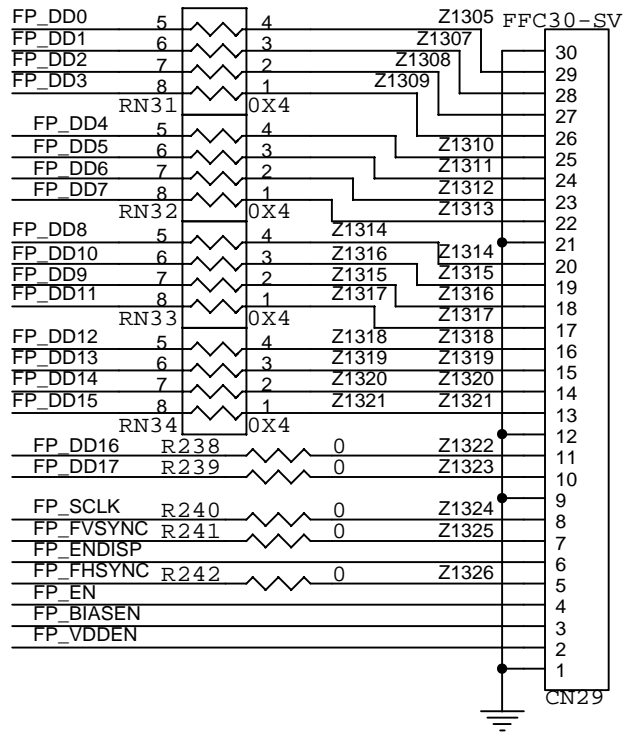
- MD pins have internal pull-up resistors
- 0 = Switch is SHORTED; 1 = Switch is OPEN

Configuration Settings:

RESISTOR	MD Bits	STATE	SETTING
R33	MD32	0	Disable AGP Sideband Signals
		1	Enable AGP Sideband Signals
R35, R37	MD[31:30]	00	8 MB Ext. Memory Size Setting
		11	4 MB
R39	MD23	0	External Memory Access Only
		1	Both Int. Ext. Memory Access
R41	MD20	0	Expansion ROM
		1	No Expansion ROM
R43	MD2	0	128-Bit Memory Data Bus
		1	64-Bit Memory Data Bus
R?	MD21	0	Disable EBROM C000 Access
		1	Enable EBROM C000 Access When MD20=1

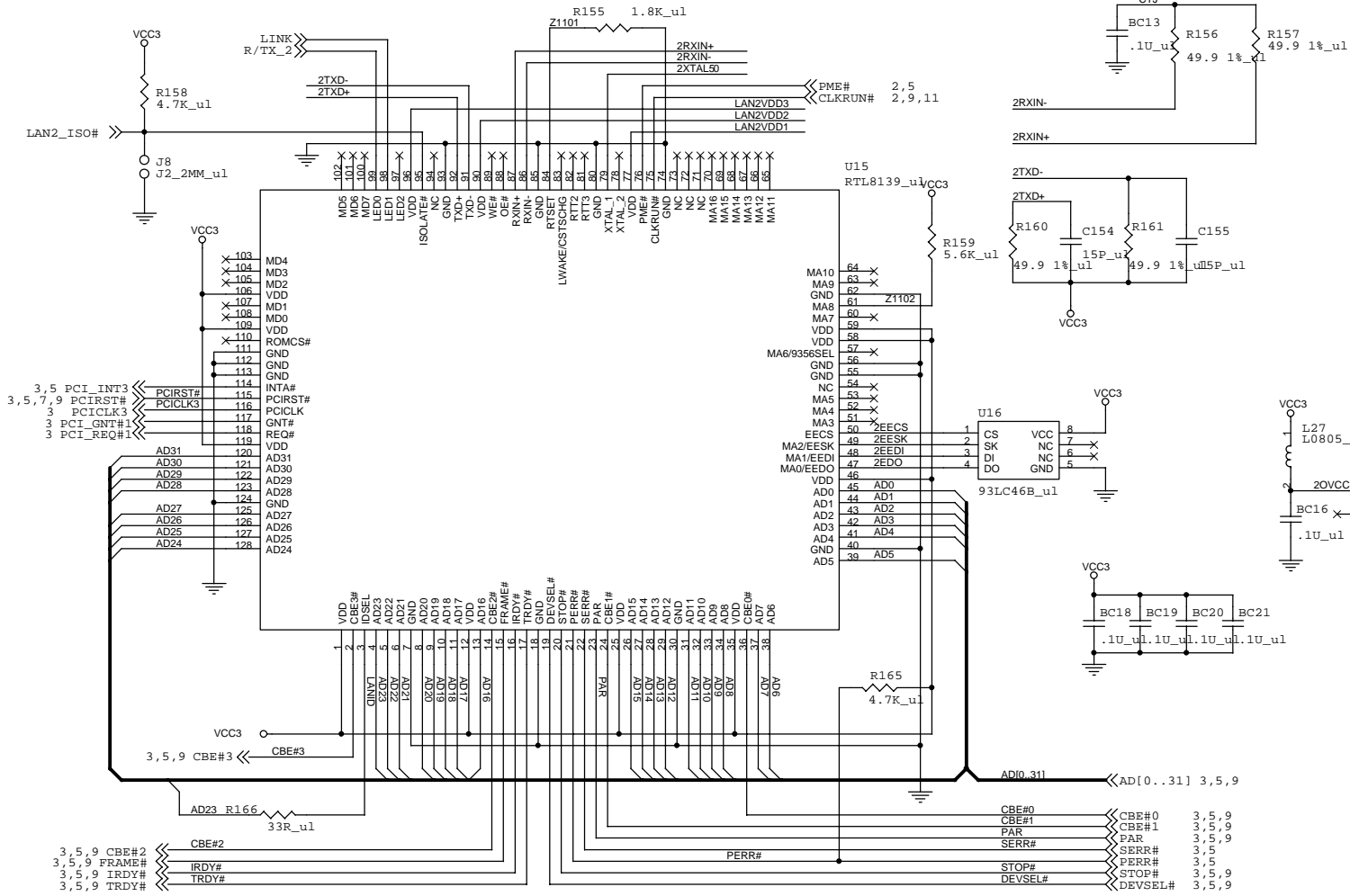
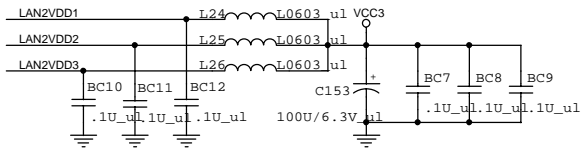
ADVANTECH

Title			VGA BIOS & Power		
Size	Document Number				Rev
Custom	1190	SOM DB2300 A102-1			A1
Date:	Monday, September 03, 2001	Sheet	11	of	13



ADVANTECH		
Title		
PD LCD30pin		
Size	Document Number	Rev
A	1190	A1
SOM DB2300 A102-1		
Date:	Monday, September 03, 2001	Sheet 12 of 13

Parts of This Page are not Load!



**LAN 2
RTL8139C**

IDESEL=AD23
 INTD#
 PCI_GNT1#
 PCI_REQ1#
 PCICLK3

ADVANTECH		
Title SODIMM/IDE/LPT/FDD		
Size Custom	Document Number SOM DB2300 A102-1	Rev A1
Date: Monday, September 03, 2001	Sheet 13	of 13