

PCM-231AV/231A User's Note

2nd Edition, Nov/2001

Packing List

- 1 PCM-231AV/PCM-231A Audio/TV module
- 1 Users Notes
- 1 TV-out cable
- 1 A97-Link cables

PCM-231 is AC-Link Audio /TV-out module which have 2 model to fit PCM-9370 and PCM-5823 and PCA-6752

1-1 Specification

- Audio: Supports Line-in, Line-out, MIC and CD audio in on board
- TV-out: Support S-Video and Composite-Video
- Operating temperature : 0 to 60°C (32 to 140°F)
- Board size: 38mm X 81mm

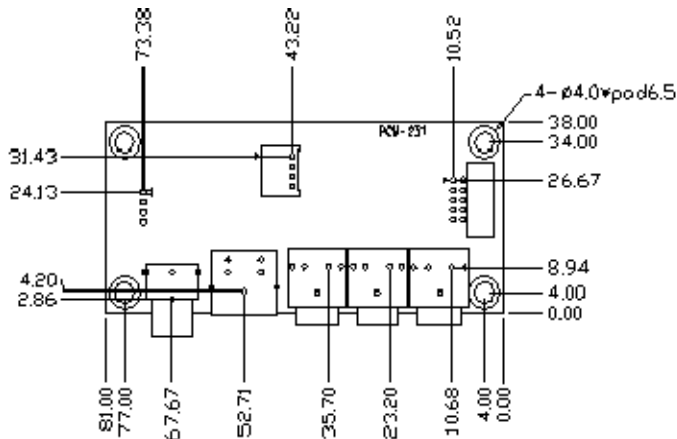
1-2 Model:

- PCM-231AV-00A1: For PCM-9370
- PCM-231A-00A1: For PCM-5823 or PCA-6752

For technical support and service, please visit our support website at :

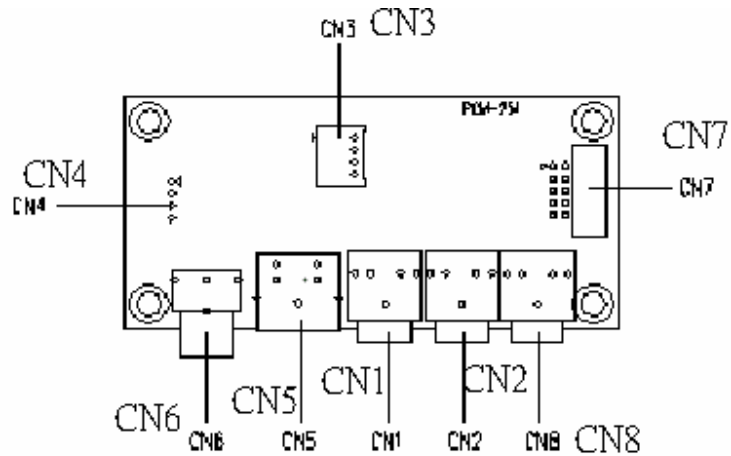
<http://www.advantech.com/support>

1-3 Board Layout and Mechanical Drawing



1-3-1 Connectors

Label	Function
CN1	Line-out connector
CN2	Line-in connector
CN3	CD Audio-in connector
CN4	Video (TV-out) signal connector
CN5	S-Video connector (PCM-231AV only)
CN6	Composite connector (PCM-231AV only)
CN7	AC97-Link connector
CN8	MIC in connector



1-3-2 Pin assignments

CN3 (CD Audio input connector)

Pin	Signal
1	Channel R
2	GND
3	GND
4	Channel L

CN4 (Video Signal (TV-out) connector)

Pin	Signal
1	luminance out
2	Chrominance out
3	GND
4	Composite out

CN7 (AC97-Link Audio connector)

Pin	Signal	Pin	Signal
1	VCC	2	BIT Clock
3	SDATA in	4	GND
5	GND	6	Sync. Signal
7	SDATA out	8	AC Reset
9	VCC	10	N. C.