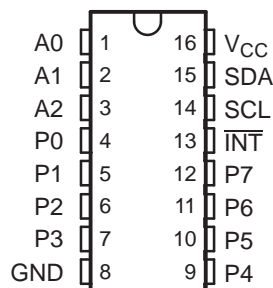


## REMOTE 8-BIT I<sup>2</sup>C AND SMBus I/O EXPANDER WITH INTERRUPT OUTPUT AND CONFIGURATION REGISTERS

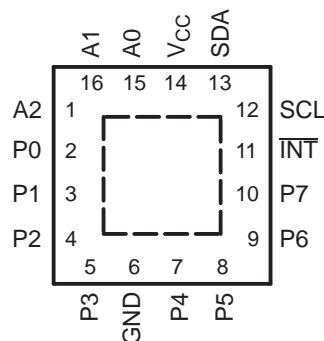
### FEATURES

- I<sup>2</sup>C to Parallel Port Expander
- Open-Drain Active-Low Interrupt Output
- Operating Power-Supply Voltage Range of 2.3 V to 5.5 V
- 5-V Tolerant I/Os
- 400-kHz Fast I<sup>2</sup>C Bus
- Three Hardware Address Pins Allow up to Eight Devices on the I<sup>2</sup>C/SMBus
- Input/Output Configuration Register
- Polarity Inversion Register
- Internal Power-On Reset
- Power-Up With All Channels Configured as Inputs
- No Glitch On Power Up
- Latched Outputs With High-Current Drive  
Maximum Capability for Directly Driving LEDs
- Latch-Up Performance Exceeds 100 mA Per JESD 78, Class II
- ESD Protection Exceeds JESD 22
  - 2000-V Human-Body Model (A114-A)
  - 200-V Machine Model (A115-A)
  - 1000-V Charged-Device Model (C101)

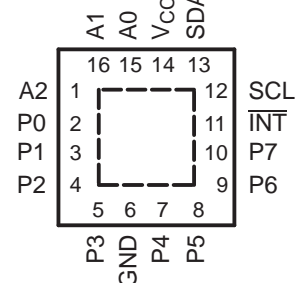
DB, DBQ, DGV, DW, OR PW PACKAGE  
(TOP VIEW)



RGV PACKAGE  
(TOP VIEW)



RGT PACKAGE  
(TOP VIEW)



### DESCRIPTION/ORDERING INFORMATION

This 8-bit I/O expander for the two-line bidirectional bus (I<sup>2</sup>C) is designed for 2.3-V to 5.5-V V<sub>CC</sub> operation. It provides general-purpose remote I/O expansion for most microcontroller families via the I<sup>2</sup>C interface [serial clock (SCL), serial data (SDA)].

The PCA9554 consists of one 8-bit Configuration (input or output selection), Input, Output, and Polarity Inversion (active high or active low) registers. At power on, the I/Os are configured as inputs with a weak pullup to V<sub>CC</sub>. However, the system master can enable the I/Os as either inputs or outputs by writing to the I/O configuration bits. The data for each input or output is kept in the corresponding Input or Output register. The polarity of the Input Port register can be inverted with the Polarity Inversion register. All registers can be read by the system master.

The system master can reset the PCA9554 in the event of a timeout or other improper operation by utilizing the power-on reset feature, which puts the registers in their default state and initializes the I<sup>2</sup>C/SMBus state machine.

The PCA9554 open-drain interrupt ( $\overline{\text{INT}}$ ) output is activated when any input state differs from its corresponding Input Port register state and is used to indicate to the system master that an input state has changed.

$\overline{\text{INT}}$  can be connected to the interrupt input of a microcontroller. By sending an interrupt signal on this line, the remote I/O can inform the microcontroller if there is incoming data on its ports without having to communicate via the I<sup>2</sup>C bus. Thus, the PCA9554 can remain a simple slave device.



Please be aware that an important notice concerning availability, standard warranty, and use in critical applications of Texas Instruments semiconductor products and disclaimers thereto appears at the end of this data sheet.

## DESCRIPTION/ORDERING INFORMATION (CONTINUED)

The device's outputs (latched) have high-current drive capability for directly driving LEDs and low current consumption.

Three hardware pins (A0, A1, and A2) are used to program and vary the fixed I<sup>2</sup>C address and allow up to eight devices to share the same I<sup>2</sup>C bus or SMBus.

The PCA9554 is pin-to-pin and I<sup>2</sup>C address compatible with the PCF8574. However, software changes are required, due to the enhancements in the PCA9554 over the PCF8574.

The PCA9554 and PCA9554A are identical except for their fixed I<sup>2</sup>C address. This allows for up to 16 of these devices (eight of each) on the same I<sup>2</sup>C/SMBus.

### ORDERING INFORMATION

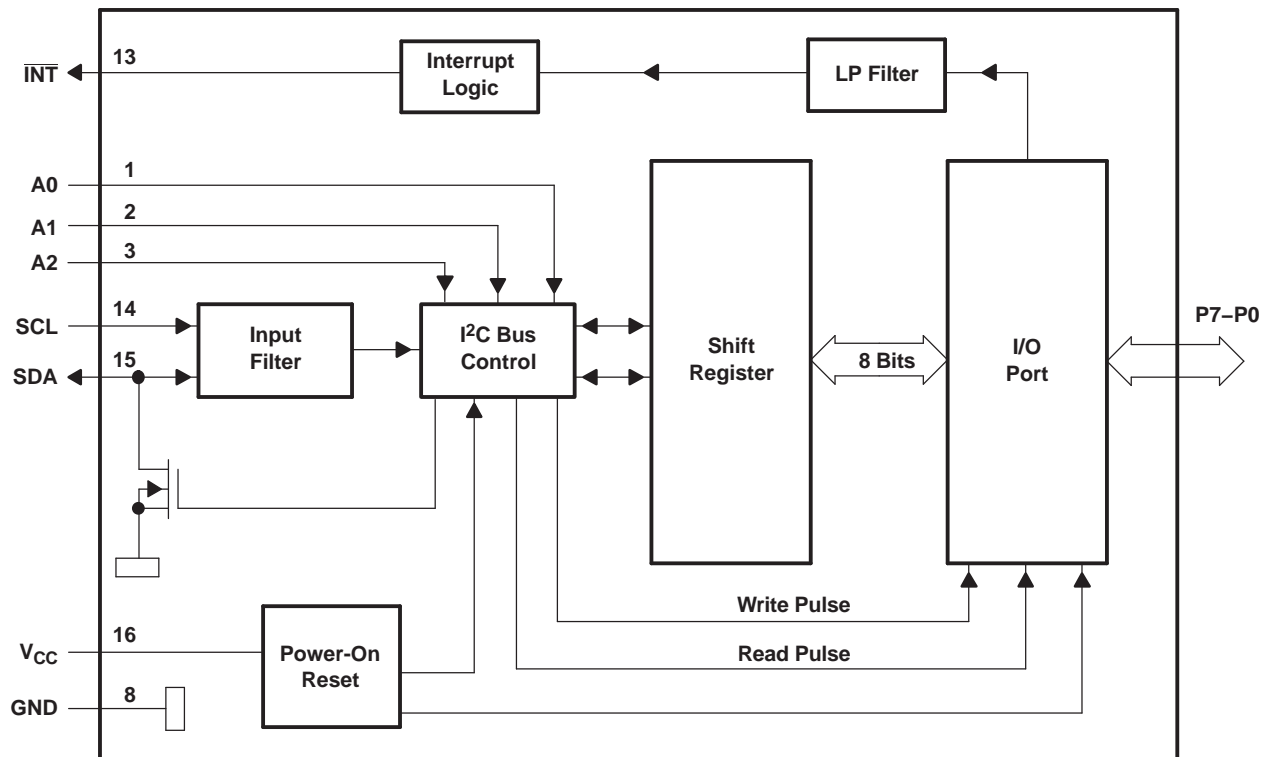
| T <sub>A</sub> | PACKAGE <sup>(1)(2)</sup> |              | ORDERABLE PART NUMBER | TOP-SIDE MARKING |
|----------------|---------------------------|--------------|-----------------------|------------------|
| –40°C to 85°C  | QFN – RGT                 | Reel of 3000 | PCA9554RGTR           | PREVIEW          |
|                | QFN – RGV                 | Reel of 2500 | PCA9554RGVR           | PREVIEW          |
|                | QSOP – DBQ                | Reel of 2500 | PCA9554DBQR           | PD554            |
|                | SOIC – DW                 | Tube of 40   | PCA9554DW             | PCA9554          |
|                |                           | Reel of 2000 | PCA9554DWR            |                  |
|                | SSOP – DB                 | Tube of 80   | PCA9554DB             | PD554            |
|                |                           | Reel of 2000 | PCA9554DBR            |                  |
|                | TSSOP – PW                | Tube of 90   | PCA9554PW             | PD554            |
|                |                           | Reel of 2000 | PCA9554PWR            |                  |
|                | TVSOP – DGV               | Reel of 2000 | PCA9554DGVR           | PD554            |

(1) Package drawings, thermal data, and symbolization are available at [www.ti.com/packaging](http://www.ti.com/packaging).

(2) For the most current package and ordering information, see the Package Option Addendum at the end of this document, or see the TI website at [www.ti.com](http://www.ti.com).

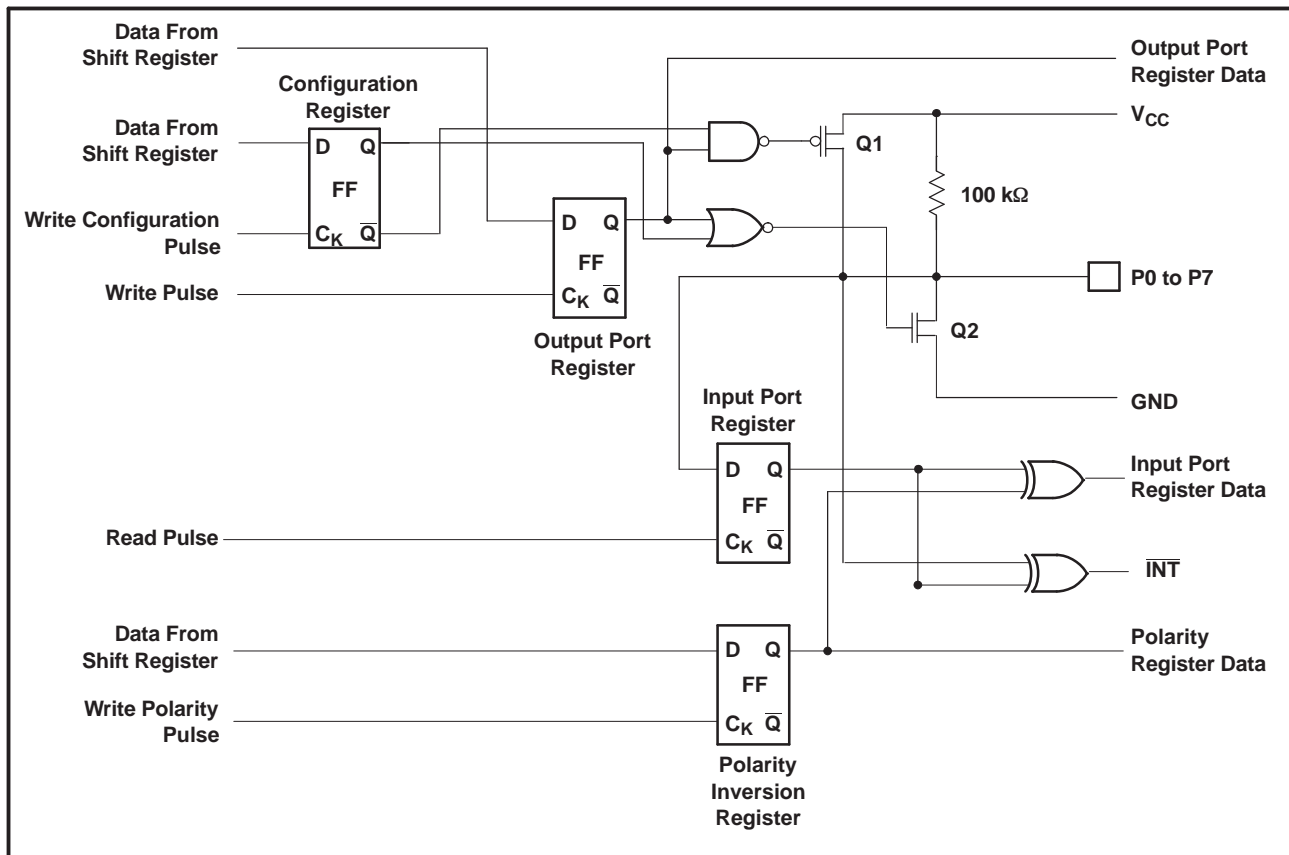
**TERMINAL FUNCTIONS**

| NO.   |                            | NAME                    | DESCRIPTION   |
|---|----------------------------|-------------------------|---|
| QSOP (DBQ),<br>SOIC (DW),<br>SSOP (DB),<br>TSSOP (PW), AND<br>TVSOP (DGV) | QFN (RGT) AND<br>QFN (RGV) |                         |   |
| 1   | 15                         | A0                      | Address input. Connect directly to V <sub>CC</sub> or ground.           |
| 2   | 16                         | A1                      | Address input. Connect directly to V <sub>CC</sub> or ground.           |
| 3   | 1                          | A2                      | Address input. Connect directly to V <sub>CC</sub> or ground.           |
| 4   | 2                          | P0                      | P-port input/output. Push-pull design structure.                        |
| 5   | 3                          | P1                      | P-port input/output. Push-pull design structure.                        |
| 6   | 4                          | P2                      | P-port input/output. Push-pull design structure.                        |
| 7   | 5                          | P3                      | P-port input/output. Push-pull design structure.                        |
| 8   | 6                          | GND                     | Ground  |
| 9   | 7                          | P4                      | P-port input/output. Push-pull design structure.                        |
| 10  | 8                          | P5                      | P-port input/output. Push-pull design structure.                        |
| 11  | 9                          | P6                      | P-port input/output. Push-pull design structure.                        |
| 12  | 10                         | P7                      | P-port input/output. Push-pull design structure.                        |
| 13  | 11                         | $\overline{\text{INT}}$ | Interrupt output. Connect to V <sub>CC</sub> through a pullup resistor. |
| 14  | 12                         | SCL                     | Serial clock bus. Connect to V <sub>CC</sub> through a pullup resistor. |
| 15  | 13                         | SDA                     | Serial data bus. Connect to V <sub>CC</sub> through a pullup resistor.  |
| 16  | 14                         | V <sub>CC</sub>         | Supply voltage  |

**FUNCTIONAL BLOCK DIAGRAM**


- A. Pin numbers shown are for the DB, DBQ, DGV, DW, N, or PW package.  
 B. All I/Os are set to inputs at reset.

### Simplified Schematic of P0 to P7



A. At power-on reset, all registers return to default values.

## I/O Port

When an I/O is configured as an input, FETs Q1 and Q2 are off, which creates a high-impedance input with a weak pullup (100 kΩ typ) to  $V_{CC}$ . The input voltage may be raised above  $V_{CC}$  to a maximum of 5.5 V.

If the I/O is configured as an output, Q1 or Q2 is enabled, depending on the state of the output port register. In this case, there are low-impedance paths between the I/O pin and either  $V_{CC}$  or GND. The external voltage applied to this I/O pin should not exceed the recommended levels for proper operation.

## I<sup>2</sup>C Interface

The bidirectional I<sup>2</sup>C bus consists of the serial clock (SCL) and serial data (SDA) lines. Both lines must be connected to a positive supply through a pullup resistor when connected to the output stages of a device. Data transfer may be initiated only when the bus is not busy.

I<sup>2</sup>C communication with this device is initiated by a master sending a start condition, a high-to-low transition on the SDA input/output while the SCL input is high (see Figure 1). After the start condition, the device address byte is sent, MSB first, including the data direction bit (R/W).

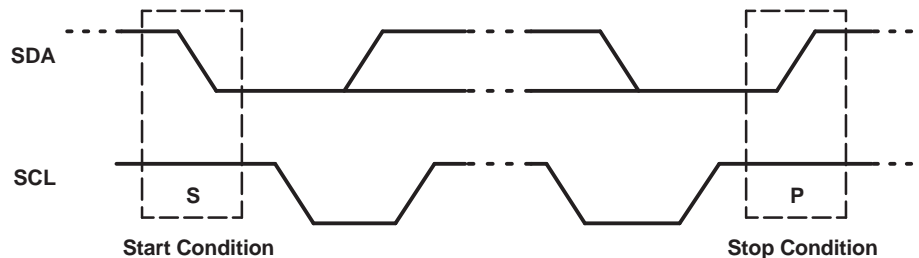
After receiving the valid address byte, this device responds with an acknowledge (ACK), a low on the SDA input/output during the high of the ACK-related clock pulse. The address inputs (A0–A2) of the slave device must not be changed between the start and the stop conditions.

On the I<sup>2</sup>C bus, only one data bit is transferred during each clock pulse. The data on the SDA line must remain stable during the high pulse of the clock period, as changes in the data line at this time are interpreted as control commands (start or stop) (see Figure 2).

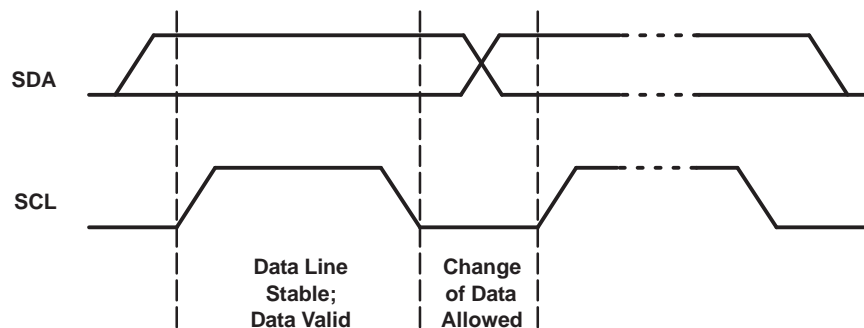
A Stop condition, a low-to-high transition on the SDA input/output while the SCL input is high, is sent by the master (see [Figure 1](#)).

Any number of data bytes can be transferred from the transmitter to the receiver between the start and the stop conditions. Each byte of eight bits is followed by one ACK bit. The transmitter must release the SDA line before the receiver can send an ACK bit. The device that acknowledges must pull down the SDA line during the ACK clock pulse so that the SDA line is stable low during the high pulse of the ACK-related clock period (see [Figure 3](#)). When a slave receiver is addressed, it must generate an ACK after each byte is received. Similarly, the master must generate an ACK after each byte that it receives from the slave transmitter. Setup and hold times must be met to ensure proper operation.

A master receiver will signal an end of data to the slave transmitter by not generating an acknowledge (NACK) after the last byte has been clocked out of the slave. This is done by the master receiver by holding the SDA line high. In this event, the transmitter must release the data line to enable the master to generate a Stop condition.



**Figure 1. Definition of Start and Stop Conditions**



**Figure 2. Bit Transfer**

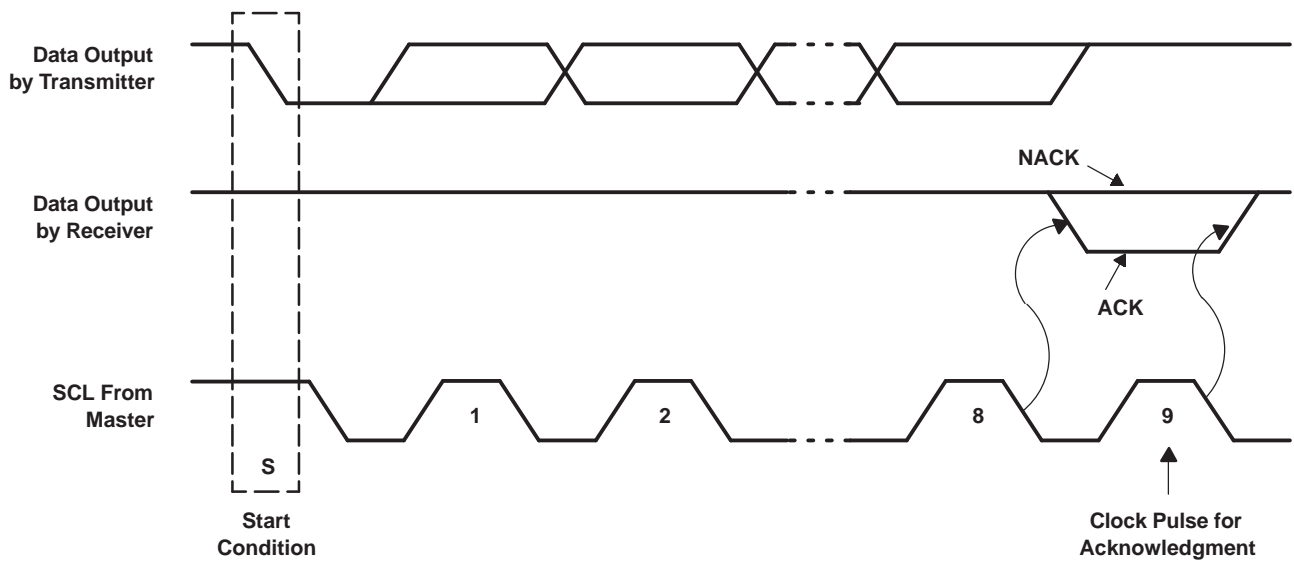


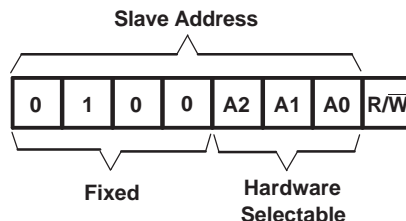
Figure 3. Acknowledgment on the I<sup>2</sup>C Bus

Interface Definition

| BYTE                           | BIT     |    |    |    |    |    |    |         |
|--------------------------------|---------|----|----|----|----|----|----|---------|
|                                | 7 (MSB) | 6  | 5  | 4  | 3  | 2  | 1  | 0 (LSB) |
| I <sup>2</sup> C slave address | L       | H  | L  | L  | A2 | A1 | A0 | R/W     |
| Px I/O data bus                | P7      | P6 | P5 | P4 | P3 | P2 | P1 | P0      |

## Device Address

Figure 4 shows the address byte for the PCA9554.



**Figure 4. PCA9554 Address**

### Address Reference

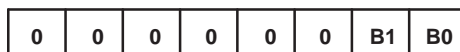
| INPUTS |    |    | I <sup>2</sup> C BUS SLAVE ADDRESS |
|--------|----|----|------------------------------------|
| A2     | A1 | A0 |                                    |
| L      | L  | L  | 32 (decimal), 20 (hexadecimal)     |
| L      | L  | H  | 33 (decimal), 21 (hexadecimal)     |
| L      | H  | L  | 34 (decimal), 22 (hexadecimal)     |
| L      | H  | H  | 35 (decimal), 23 (hexadecimal)     |
| H      | L  | L  | 36 (decimal), 24 (hexadecimal)     |
| H      | L  | H  | 37 (decimal), 25 (hexadecimal)     |
| H      | H  | L  | 38 (decimal), 26 (hexadecimal)     |
| H      | H  | H  | 39 (decimal), 27 (hexadecimal)     |

The last bit of the slave address defines the operation (read or write) to be performed. When it is high (1), a read is selected, while a low (0) selects a write operation.

## Control Register and Command Byte

Following the successful acknowledgment of the address byte, the bus master sends a command byte that is stored in the control register in the PCA9554. Two bits of this command byte state the operation (read or write) and the internal register (input, output, polarity inversion or configuration) that will be affected. This register can be written or read through the I<sup>2</sup>C bus. The command byte is sent only during a write transmission.

Once a command byte has been sent, the register that was addressed continues to be accessed by reads until a new command byte has been sent.



**Figure 5. Control Register Bits**

### Command Byte

| CONTROL REGISTER BITS |    | COMMAND BYTE (HEX) | REGISTER                    | PROTOCOL        | POWER-UP DEFAULT |
|-----------------------|----|--------------------|-----------------------------|-----------------|------------------|
| B1                    | B0 |                    |                             |                 |                  |
| 0                     | 0  | 0x00               | Input Port Register         | Read byte       | XXXX XXXX        |
| 0                     | 1  | 0x01               | Output Port Register        | Read/write byte | 1111 1111        |
| 1                     | 0  | 0x02               | Polarity Inversion Register | Read/write byte | 0000 0000        |
| 1                     | 1  | 0x03               | Configuration Register      | Read/write byte | 1111 1111        |

## Register Descriptions

The Input Port register (register 0) reflects the incoming logic levels of the pins, regardless of whether the pin is defined as an input or an output by the Configuration register. It only acts on read operation. Writes to these registers have no effect. The default value, X, is determined by the externally applied logic level.

Before a read operation, a write transmission is sent with the command byte to indicate to the I<sup>2</sup>C device that the Input Port register will be accessed next.

**Register 0 (Input Port Register) Table**

| BIT     | I7 | I6 | I5 | I4 | I3 | I2 | I1 | I0 |
|---------|----|----|----|----|----|----|----|----|
| DEFAULT | X  | X  | X  | X  | X  | X  | X  | X  |

The Output Port register (register 1) shows the outgoing logic levels of the pins defined as outputs by the Configuration register. Bit values in this register have no effect on pins defined as inputs. In turn, reads from this register reflect the value that is in the flip-flop controlling the output selection, not the actual pin value.

**Register 1 (Output Port Register) Table**

| BIT     | O7 | O6 | O5 | O4 | O3 | O2 | O1 | O0 |
|---------|----|----|----|----|----|----|----|----|
| DEFAULT | 1  | 1  | 1  | 1  | 1  | 1  | 1  | 1  |

The Polarity Inversion register (register 2) allows polarity inversion of pins defined as inputs by the Configuration register. If a bit in this register is set (written with 1), the corresponding port pin polarity is inverted. If a bit in this register is cleared (written with a 0), the corresponding port pin's original polarity is retained.

**Register 2 (Polarity Inversion Register) Table**

| BIT     | N7 | N6 | N5 | N4 | N3 | N2 | N1 | N0 |
|---------|----|----|----|----|----|----|----|----|
| DEFAULT | 0  | 0  | 0  | 0  | 0  | 0  | 0  | 0  |

The Configuration register (register 3) configures the directions of the I/O pins. If a bit in this register is set to 1, the corresponding port pin is enabled as an input with high impedance output driver. If a bit in this register is cleared to 0, the corresponding port pin is enabled as an output.

**Register 3 (Configuration Register) Table**

| BIT     | C7 | C6 | C5 | C4 | C3 | C2 | C1 | C0 |
|---------|----|----|----|----|----|----|----|----|
| DEFAULT | 1  | 1  | 1  | 1  | 1  | 1  | 1  | 1  |

## Power-On Reset

When power (from 0 V) is applied to V<sub>CC</sub>, an internal power-on reset holds the PCA9554 in a reset condition until V<sub>CC</sub> has reached V<sub>POR</sub>. At that point, the reset condition is released and the PCA9554 registers and I<sup>2</sup>C/SMBus state machine initialize to their default states. After that, V<sub>CC</sub> must be lowered to below 0.2 V and then back up to the operating voltage for a power-reset cycle.



## Interrupt Output ( $\overline{\text{INT}}$ )

An interrupt is generated by any rising or falling edge of the port inputs in the input mode. After time  $t_{iv}$ , the signal  $\overline{\text{INT}}$  is valid. Resetting the interrupt circuit is achieved when data on the port is changed to the original setting, and data is read from the port that generated the interrupt or in a Stop event. Resetting occurs in the read mode at the acknowledge (ACK) bit or not acknowledge (NACK) bit after the rising edge of the SCL signal. Interrupts that occur during the ACK or NACK clock pulse can be lost (or be very short) due to the resetting of the interrupt during this pulse. Each change of the I/Os after resetting is detected and is transmitted as  $\overline{\text{INT}}$ .

Reading from or writing to another device does not affect the interrupt circuit, and a pin configured as an output cannot cause an interrupt. Changing an I/O from an output to an input may cause a false interrupt to occur if the state of the pin does not match the contents of the Input Port register.

$\overline{\text{INT}}$  has an open-drain structure and requires a pullup resistor to  $V_{CC}$ .

## Bus Transactions

Data is exchanged between the master and PCA9554 through write and read commands.

### Writes

Data is transmitted to the PCA9554 by sending the device address and setting the least-significant bit to a logic 0 (see Figure 4 for device address). The command byte is sent after the address and determines which register receives the data that follows the command byte. There is no limitation on the number of data bytes sent in one write transmission.

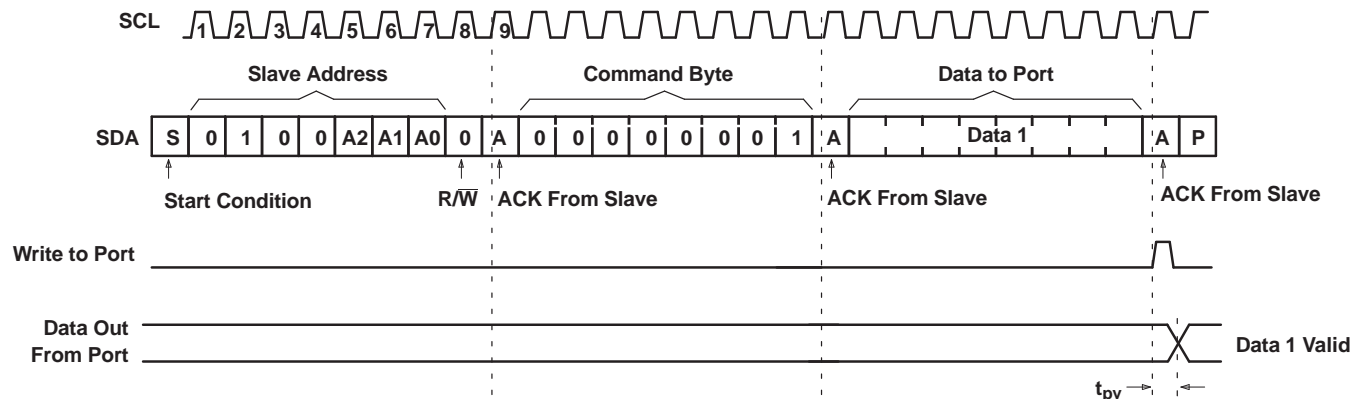


Figure 6. Write to Output Port Register

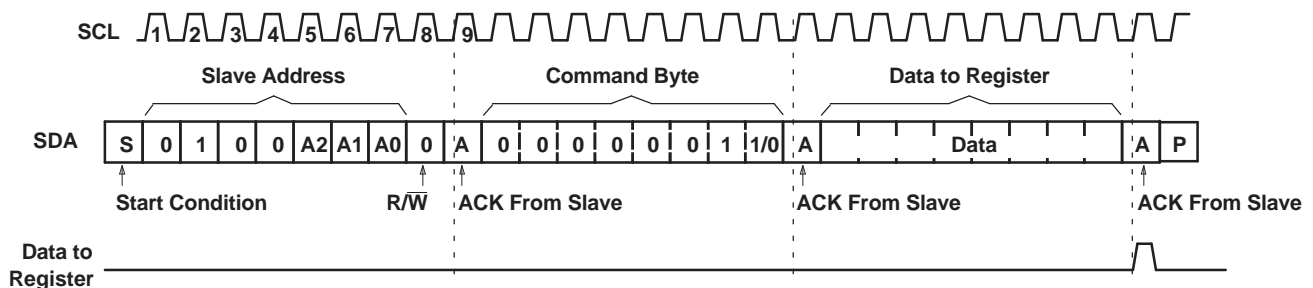
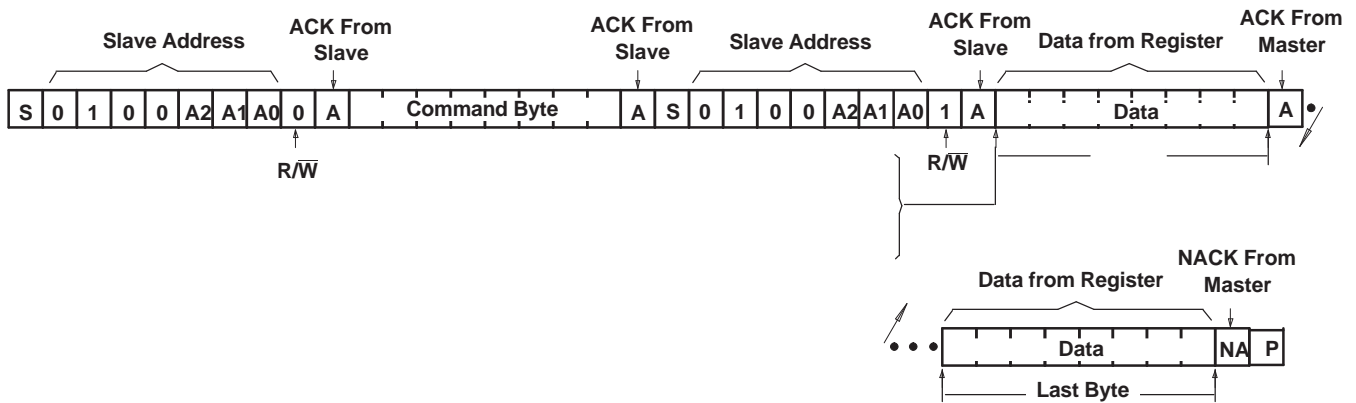


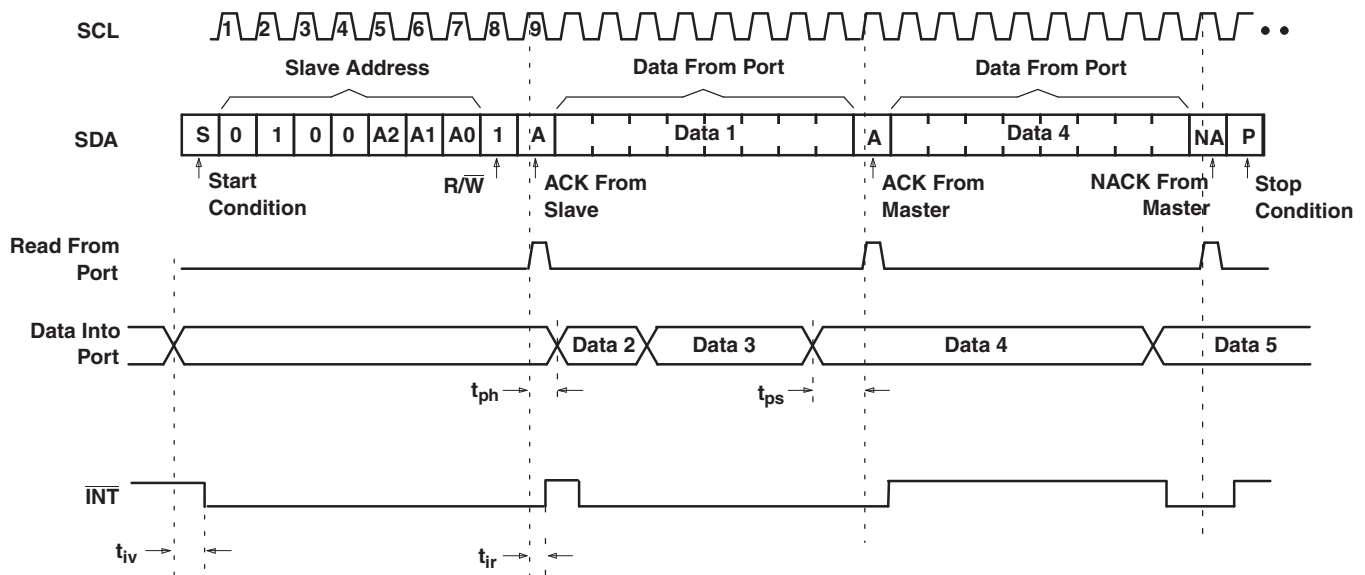
Figure 7. Write to Configuration or Polarity Inversion Registers

**Reads**

The bus master first must send the PCA9554 address with the least-significant bit set to a logic 0 (see Figure 4 for device address). The command byte is sent after the address and determines which register is accessed. After a restart, the device address is sent again but, this time, the least-significant bit is set to a logic 1. Data from the register defined by the command byte then is sent by the PCA9554 (see Figure 8 and Figure 9). After a restart, the value of the register defined by the command byte matches the register being accessed when the restart occurred. Data is clocked into the register on the rising edge of the ACK clock pulse. There is no limitation on the number of data bytes received in one read transmission, but when the final byte is received, the bus master must not acknowledge the data



**Figure 8. Read From Register**



- A. This figure assumes the command byte has previously been programmed with 00h.
- B. Transfer of data can be stopped at any moment by a Stop condition.
- C. This figure eliminates the command byte transfer, a restart, and slave address call between the initial slave address call and actual data transfer from P port. See Figure 8 for these details.

**Figure 9. Read From Input Port Register**

## ABSOLUTE MAXIMUM RATINGS<sup>(1)</sup>

over operating free-air temperature range (unless otherwise noted)

|               |  | MIN                         | MAX | UNIT    |      |
|---------------|--|-----------------------------|-----|---------|------|
| $V_{CC}$      | Supply voltage range                     | –0.5                        | 6   | V       |      |
| $V_I$         | Input voltage range <sup>(2)</sup>       | –0.5                        | 6   | V       |      |
| $V_O$         | Output voltage range <sup>(2)</sup>      | –0.5                        | 6   | V       |      |
| $I_{IK}$      | Input clamp current                      | $V_I < 0$                   |     | –20 mA  |      |
| $I_{OK}$      | Output clamp current                     | $V_O < 0$                   |     | –20 mA  |      |
| $I_{IOK}$     | Input/output clamp current               | $V_O < 0$ or $V_O > V_{CC}$ |     | ±20 mA  |      |
| $I_{OL}$      | Continuous output low current            | $V_O = 0$ to $V_{CC}$       |     | 50 mA   |      |
| $I_{OH}$      | Continuous output high current           | $V_O = 0$ to $V_{CC}$       |     | –50 mA  |      |
| $I_{CC}$      | Continuous current through GND           |                             |     | –250 mA |      |
|               | Continuous current through $V_{CC}$      |                             |     | 160 mA  |      |
| $\theta_{JA}$ | Package thermal impedance <sup>(3)</sup> | DB package                  | 82  |         | °C/W |
|               |  | DBQ package                 | 90  |         |      |
|               |  | DGV package                 | 120 |         |      |
|               |  | DW package                  | 57  |         |      |
|               |  | N package                   | 67  |         |      |
|               |  | PW package                  | 108 |         |      |
|               |  | RGT package                 | TBD |         |      |
|               |  | RGV package                 | TBD |         |      |
| $T_{stg}$     | Storage temperature range                | –65                         | 150 | °C      |      |

- (1) Stresses beyond those listed under "absolute maximum ratings" may cause permanent damage to the device. These are stress ratings only, and functional operation of the device at these or any other conditions beyond those indicated under "recommended operating conditions" is not implied. Exposure to absolute-maximum-rated conditions for extended periods may affect device reliability.
- (2) The input negative-voltage and output voltage ratings may be exceeded if the input and output current ratings are observed.
- (3) The package thermal impedance is calculated in accordance with JESD 51-7.

## RECOMMENDED OPERATING CONDITIONS

|          |                                | MIN          | MAX                 | UNIT                |   |
|----------|--------------------------------|--------------|---------------------|---------------------|---|
| $V_{CC}$ | Supply voltage                 | 2.3          | 5.5                 | V                   |   |
| $V_{IH}$ | High-level input voltage       | SCL, SDA     | $0.7 \times V_{CC}$ | 5.5                 | V |
|          |                                | A2–A0, P7–P0 | 2                   | 5.5                 |   |
| $V_{IL}$ | Low-level input voltage        | SCL, SDA     | –0.5                | $0.3 \times V_{CC}$ | V |
|          |                                | A2–A0, P7–P0 | –0.5                | 0.8                 |   |
| $I_{OH}$ | High-level output current      | P7–P0        |                     | –10 mA              |   |
| $I_{OL}$ | Low-level output current       | P7–P0        |                     | 25 mA               |   |
| $T_A$    | Operating free-air temperature | –40          | 85                  | °C                  |   |

## ELECTRICAL CHARACTERISTICS

over operating free-air temperature range (unless otherwise noted)

| PARAMETER        |   | TEST CONDITIONS  | V <sub>CC</sub>  | MIN  | TYP <sup>(1)</sup> | MAX  | UNIT |  |
|------------------|---|--|------------------|------|--------------------|------|------|--|
| V <sub>IK</sub>  | Input diode clamp voltage                       | I <sub>I</sub> = –18 mA  | 2.3 V to 5.5 V   | –1.2 |                    |      | V    |  |
| V <sub>POR</sub> | Power-on reset voltage                          | V <sub>I</sub> = V <sub>CC</sub> or GND, I <sub>O</sub> = 0  | V <sub>POR</sub> |      | 1.5                | 1.65 | V    |  |
| V <sub>OH</sub>  | P-port high-level output voltage <sup>(2)</sup> | I <sub>OH</sub> = –8 mA  | 2.3 V            | 1.8  |                    |      | V    |  |
|                  |   |  | 3 V              | 2.6  |                    |      |      |  |
|                  |   |  | 4.5 V            | 3.1  |                    |      |      |  |
|                  |   |  | 4.75 V           | 4.1  |                    |      |      |  |
|                  |   | I <sub>OH</sub> = –10 mA   | 2.3 V            | 1.7  |                    |      |      |  |
|                  |   |  | 3 V              | 2.5  |                    |      |      |  |
|                  |   |  | 4.5 V            | 3    |                    |      |      |  |
|                  |   |  | 4.75 V           | 4    |                    |      |      |  |
| I <sub>OL</sub>  | SDA   | V <sub>OL</sub> = 0.4 V  | 2.3 V to 5.5 V   | 3    | 8                  |      | mA   |  |
|                  | P port <sup>(3)</sup>                           | V <sub>OL</sub> = 0.5 V  | 2.3 V            | 8    | 10                 |      |      |  |
|                  |   |  | 3 V              | 8    | 14                 |      |      |  |
|                  |   |  | 4.5 V            | 8    | 17                 |      |      |  |
|                  |   |  | 4.75 V           | 8    | 35                 |      |      |  |
|                  | P port <sup>(3)</sup>                           | V <sub>OL</sub> = 0.7 V  | 2.3 V            | 10   | 13                 |      |      |  |
|                  |   |  | 3 V              | 10   | 19                 |      |      |  |
|                  |   |  | 4.5 V            | 10   | 24                 |      |      |  |
|                  |   |  | 4.75 V           | 10   | 45                 |      |      |  |
|                  | $\overline{\text{INT}}$                         | V <sub>OL</sub> = 0.4 V  | 2.3 V to 5.5 V   | 3    | 10                 |      |      |  |
| I <sub>I</sub>   | SCL, SDA  | V <sub>I</sub> = V <sub>CC</sub> or GND  | 2.3 V to 5.5 V   |      |                    | ±1   | μA   |  |
|                  | A2–A0   |  |                  |      |                    | ±1   |      |  |
| I <sub>IH</sub>  | P port  | V <sub>I</sub> = V <sub>CC</sub>   | 2.3 V to 5.5 V   |      |                    | 1    | μA   |  |
| I <sub>IL</sub>  | P port  | V <sub>I</sub> = GND   | 2.3 V to 5.5 V   |      |                    | –100 | μA   |  |
| I <sub>CC</sub>  | Operating mode                                  | V <sub>I</sub> = V <sub>CC</sub> , I <sub>O</sub> = 0, I/O = inputs, f <sub>scl</sub> = 400 kHz, No load | 5.5 V            |      | 104                | 175  | μA   |  |
|                  |   |  | 3.6 V            |      | 50                 | 90   |      |  |
|                  |   |  | 2.7 V            |      | 20                 | 65   |      |  |
|                  |   | V <sub>I</sub> = V <sub>CC</sub> , I <sub>O</sub> = 0, I/O = inputs, f <sub>scl</sub> = 100 kHz, No load | 5.5 V            |      | 60                 | 150  |      |  |
|                  |   |  | 3.6 V            |      | 15                 | 40   |      |  |
|                  |   |  | 2.7 V            |      | 8                  | 20   |      |  |
|                  | Standby mode                                    | V <sub>I</sub> = GND, I <sub>O</sub> = 0, I/O = inputs, f <sub>scl</sub> = 0 kHz, No load                | 5.5 V            |      | 450                | 700  |      |  |
|                  |   |  | 3.6 V            |      | 300                | 600  |      |  |
|                  |   | V <sub>I</sub> = V <sub>CC</sub> , I <sub>O</sub> = 0, I/O = inputs, f <sub>scl</sub> = 0 kHz, No load   | 2.7 V            |      | 225                | 500  |      |  |
|                  |   |  | 5.5 V            |      | 0.25               | 1    |      |  |
|                  |   |  | 3.6 V            |      | 0.2                | 0.9  |      |  |
|                  |   |  | 2.7 V            |      | 0.1                | 0.8  |      |  |
|                  |   |  |                  |      |                    |      |      |  |
| ΔI <sub>CC</sub> | Additional current in standby mode              | One input at V <sub>CC</sub> – 0.6 V, Other inputs at V <sub>CC</sub> or GND                             | 2.3 V to 5.5 V   |      |                    | 1.5  | mA   |  |
|                  |   | Every LED I/O at V <sub>I</sub> = 4.3 V, f <sub>scl</sub> = 0 kHz  | 5.5 V            |      |                    | 1    |      |  |
| C <sub>i</sub>   | SCL   | V <sub>I</sub> = V <sub>CC</sub> or GND  | 2.3 V to 5.5 V   |      | 4                  | 5    | pF   |  |
| C <sub>io</sub>  | SDA   | V <sub>IO</sub> = V <sub>CC</sub> or GND   | 2.3 V to 5.5 V   |      | 5.5                | 6.5  | pF   |  |
|                  | P port  |  |                  |      | 8                  | 9.5  |      |  |

(1) All typical values are at nominal supply voltage (2.5-V, 3.3-V, or 5-V V<sub>CC</sub>) and T<sub>A</sub> = 25°C.

(2) The total current sourced by all I/Os must be limited to 85 mA.

(3) Each I/O must be externally limited to a maximum of 25 mA, and the P port (P0 to P7) must be limited to a maximum current of 200 mA.

## I<sup>2</sup>C INTERFACE TIMING REQUIREMENTS

 over operating free-air temperature range (unless otherwise noted) (see [Figure 10](#))

|                       |  | STANDARD MODE<br>I <sup>2</sup> C BUS    |      | FAST MODE<br>I <sup>2</sup> C BUS     |     | UNIT |    |
|-----------------------|--|--|------|---------------------------------------|-----|------|----|
|                       |  | MIN                                      | MAX  | MIN                                   | MAX |      |    |
| t <sub>scl</sub>      | I <sup>2</sup> C clock frequency                         | 0  | 100  | 0                                     | 400 | kHz  |    |
| t <sub>sch</sub>      | I <sup>2</sup> C clock high time                         | 4  |      | 0.6                                   |     | μs   |    |
| t <sub>scl</sub>      | I <sup>2</sup> C clock low time                          | 4.7                                      |      | 1.3                                   |     | μs   |    |
| t <sub>sp</sub>       | I <sup>2</sup> C spike time                              |  | 50   |                                       | 50  | ns   |    |
| t <sub>sds</sub>      | I <sup>2</sup> C serial-data setup time                  | 250                                      |      | 100                                   |     | ns   |    |
| t <sub>sdh</sub>      | I <sup>2</sup> C serial-data hold time                   | 0  |      | 0                                     |     | ns   |    |
| t <sub>icr</sub>      | I <sup>2</sup> C input rise time                         |  | 1000 | 20 + 0.1C <sub>b</sub> <sup>(1)</sup> | 300 | ns   |    |
| t <sub>icf</sub>      | I <sup>2</sup> C input fall time                         |  | 300  | 20 + 0.1C <sub>b</sub> <sup>(1)</sup> | 300 | ns   |    |
| t <sub>ocf</sub>      | I <sup>2</sup> C output fall time                        | 10-pF to 400-pF bus                      | 300  | 20 + 0.1C <sub>b</sub> <sup>(1)</sup> | 300 | ns   |    |
| t <sub>buf</sub>      | I <sup>2</sup> C bus free time between stop and start    | 4.7                                      |      | 1.3                                   |     | μs   |    |
| t <sub>sts</sub>      | I <sup>2</sup> C start or repeated start condition setup | 4.7                                      |      | 0.6                                   |     | μs   |    |
| t <sub>sth</sub>      | I <sup>2</sup> C start or repeated start condition hold  | 4  |      | 0.6                                   |     | μs   |    |
| t <sub>sps</sub>      | I <sup>2</sup> C stop condition setup                    | 4  |      | 0.6                                   |     | μs   |    |
| t <sub>vd(data)</sub> | Valid data time  | SCL low to SDA output valid              | 300  |                                       | 50  | ns   |    |
| t <sub>vd(ack)</sub>  | Valid data time of ACK condition                         | ACK signal from SCL low to SDA (out) low | 0.3  | 3.45                                  | 0.1 | 0.9  | μs |
| C <sub>b</sub>        | I <sup>2</sup> C bus capacitive load                     |  | 400  |                                       | 400 | ns   |    |

 (1) C<sub>b</sub> = Total capacitive load of one bus in pF

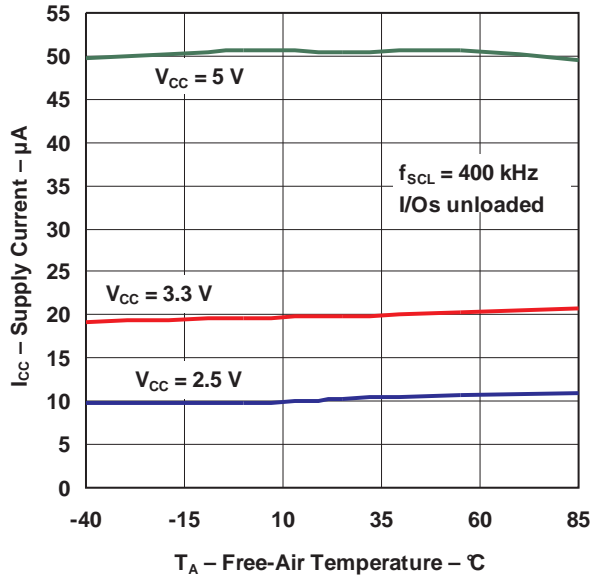
## SWITCHING CHARACTERISTICS

 over operating free-air temperature range (unless otherwise noted) (see [Figure 11](#) and [Figure 12](#))

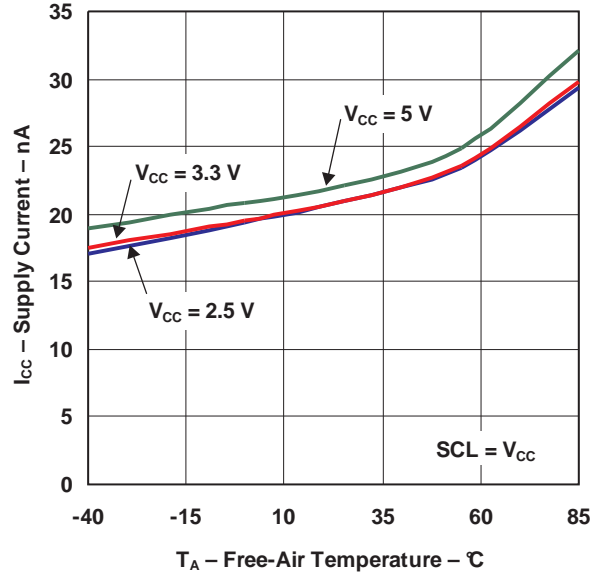
| PARAMETER       |                            | FROM<br>(INPUT) | TO<br>(OUTPUT)          | STANDARD MODE<br>I <sup>2</sup> C BUS |     | FAST MODE<br>I <sup>2</sup> C BUS |     | UNIT |
|-----------------|----------------------------|-----------------|-------------------------|---------------------------------------|-----|-----------------------------------|-----|------|
|                 |                            |                 |                         | MIN                                   | MAX | MIN                               | MAX |      |
| t <sub>iv</sub> | Interrupt valid time       | P port          | $\overline{\text{INT}}$ |                                       | 4   |                                   | 4   | μs   |
| t <sub>ir</sub> | Interrupt reset delay time | SCL             | $\overline{\text{INT}}$ |                                       | 4   |                                   | 4   | μs   |
| t <sub>pV</sub> | Output data valid          | SCL             | P7–P0                   |                                       | 200 |                                   | 200 | ns   |
| t <sub>ps</sub> | Input data setup time      | P port          | SCL                     | 100                                   |     | 100                               |     | ns   |
| t <sub>ph</sub> | Input data hold time       | P port          | SCL                     | 1                                     |     | 1                                 |     | μs   |

### TYPICAL CHARACTERISTICS

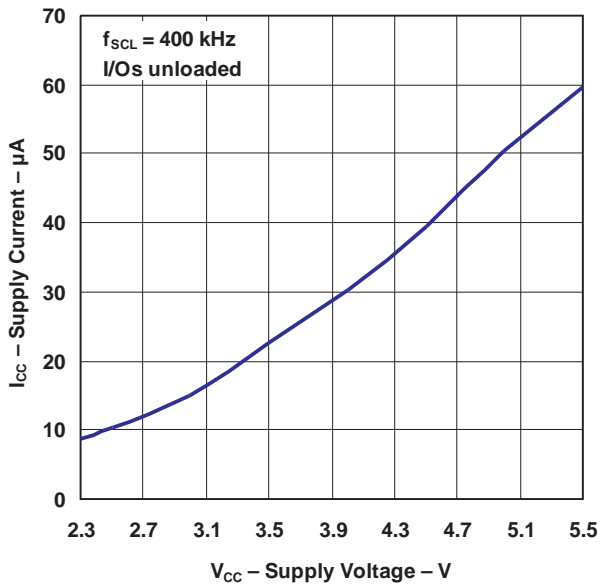
**SUPPLY CURRENT  
vs  
TEMPERATURE**



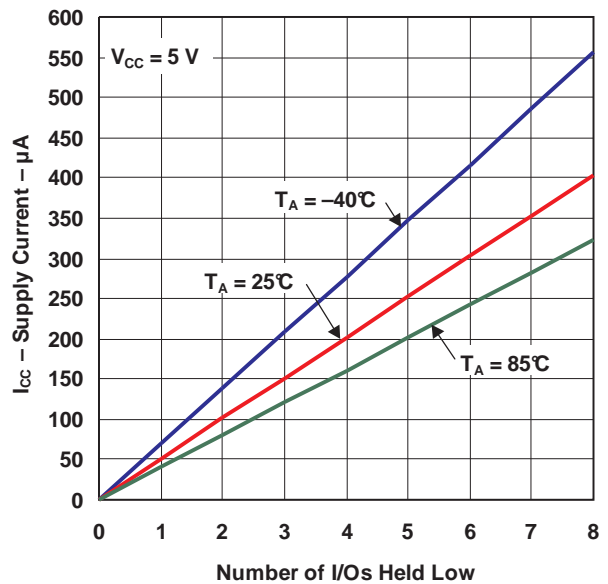
**QUIESCENT SUPPLY CURRENT  
vs  
TEMPERATURE**



**SUPPLY CURRENT  
vs  
SUPPLY VOLTAGE**

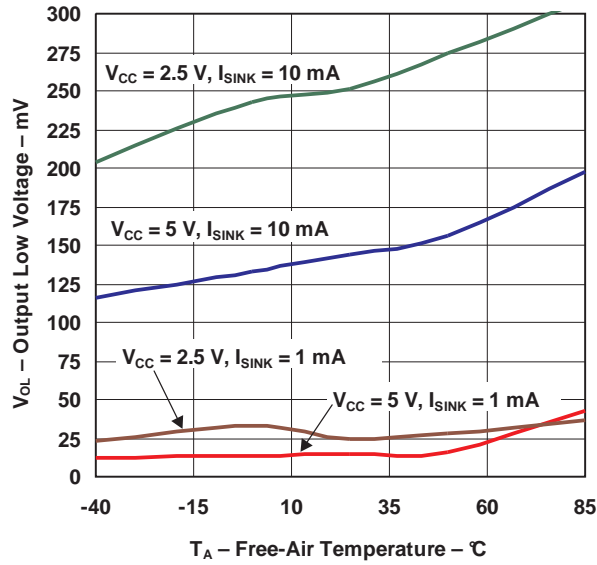


**SUPPLY CURRENT  
vs  
NUMBER OF I/Os HELD LOW**

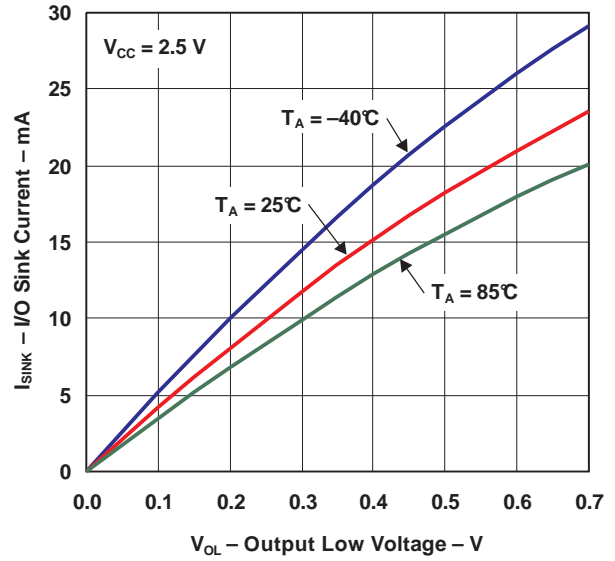


TYPICAL CHARACTERISTICS (continued)

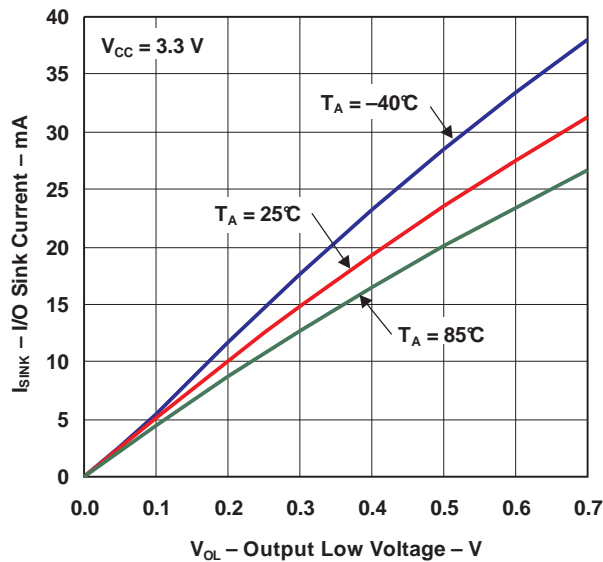
I/O OUTPUT LOW VOLTAGE  
vs  
TEMPERATURE



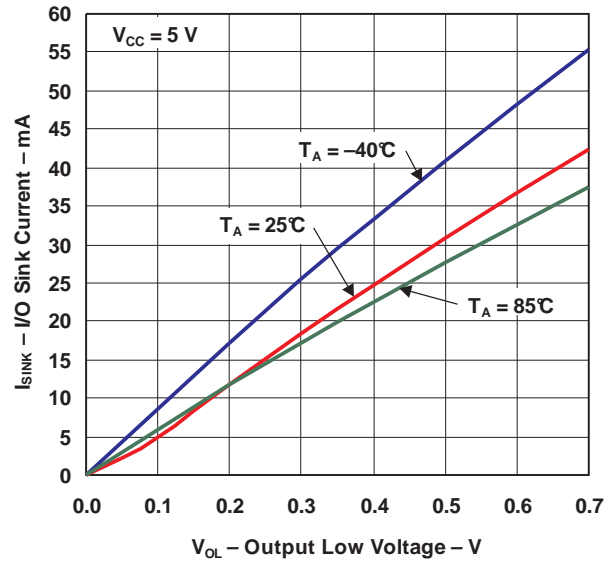
I/O SINK CURRENT  
vs  
OUTPUT LOW VOLTAGE



I/O SINK CURRENT  
vs  
OUTPUT LOW VOLTAGE

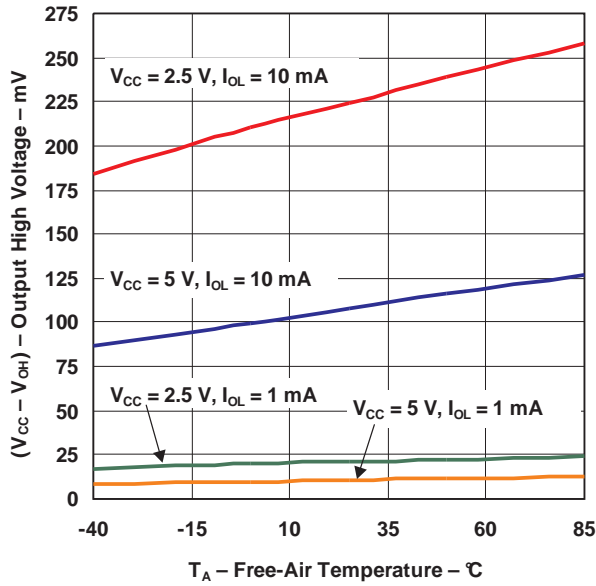


I/O SINK CURRENT  
vs  
OUTPUT LOW VOLTAGE

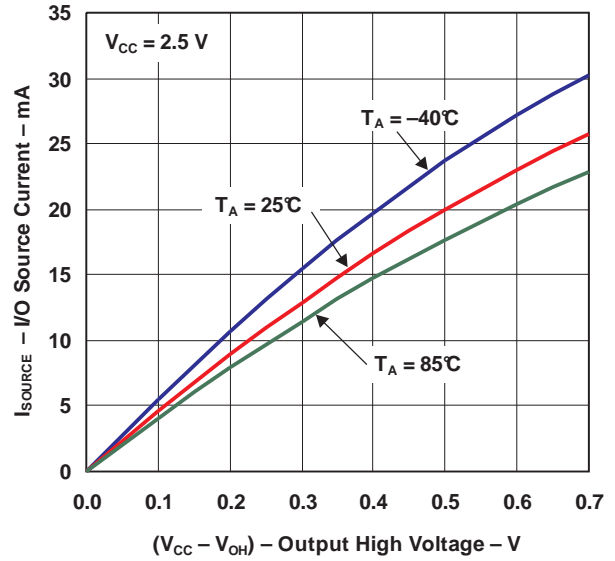


TYPICAL CHARACTERISTICS (continued)

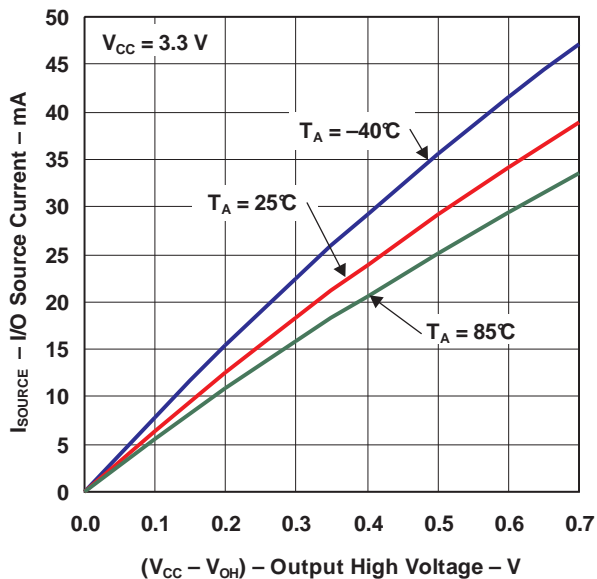
I/O OUTPUT HIGH VOLTAGE  
vs  
TEMPERATURE



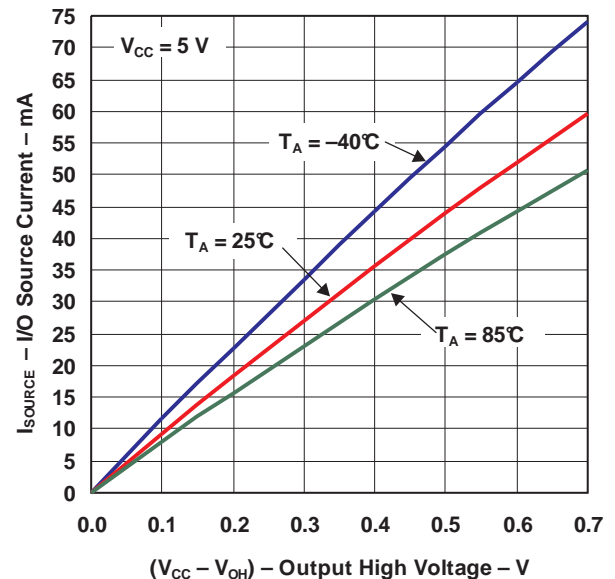
I/O SOURCE CURRENT  
vs  
OUTPUT HIGH VOLTAGE



I/O SOURCE CURRENT  
vs  
OUTPUT HIGH VOLTAGE



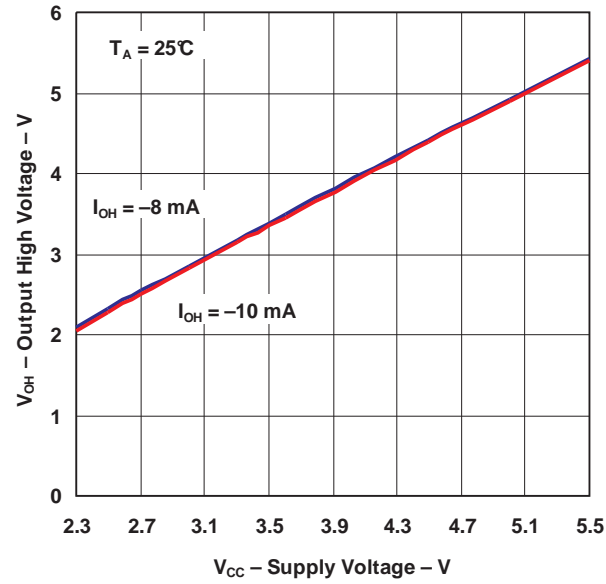
I/O SOURCE CURRENT  
vs  
OUTPUT HIGH VOLTAGE



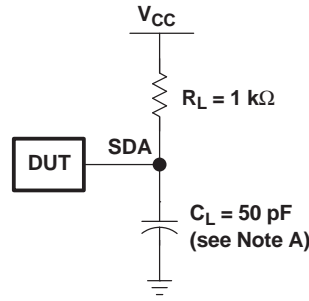


**TYPICAL CHARACTERISTICS (continued)**

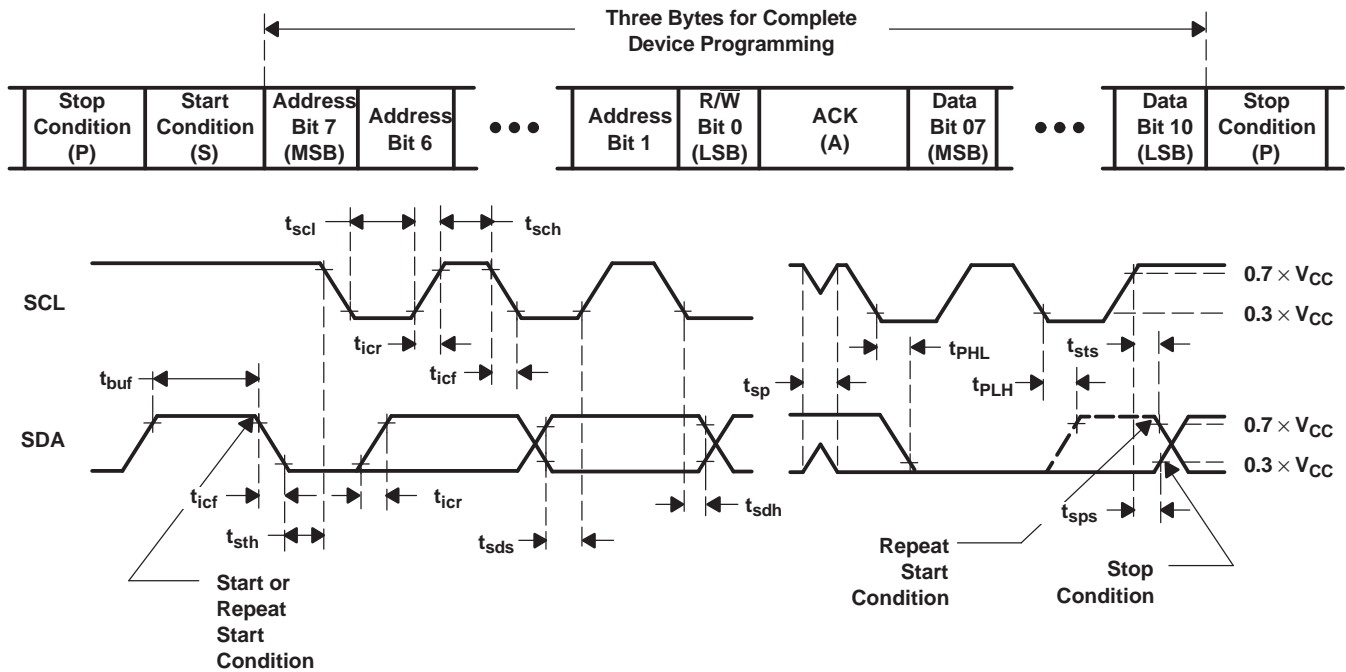
**OUTPUT HIGH VOLTAGE  
vs  
SUPPLY VOLTAGE**



PARAMETER MEASUREMENT INFORMATION



SDA LOAD CONFIGURATION



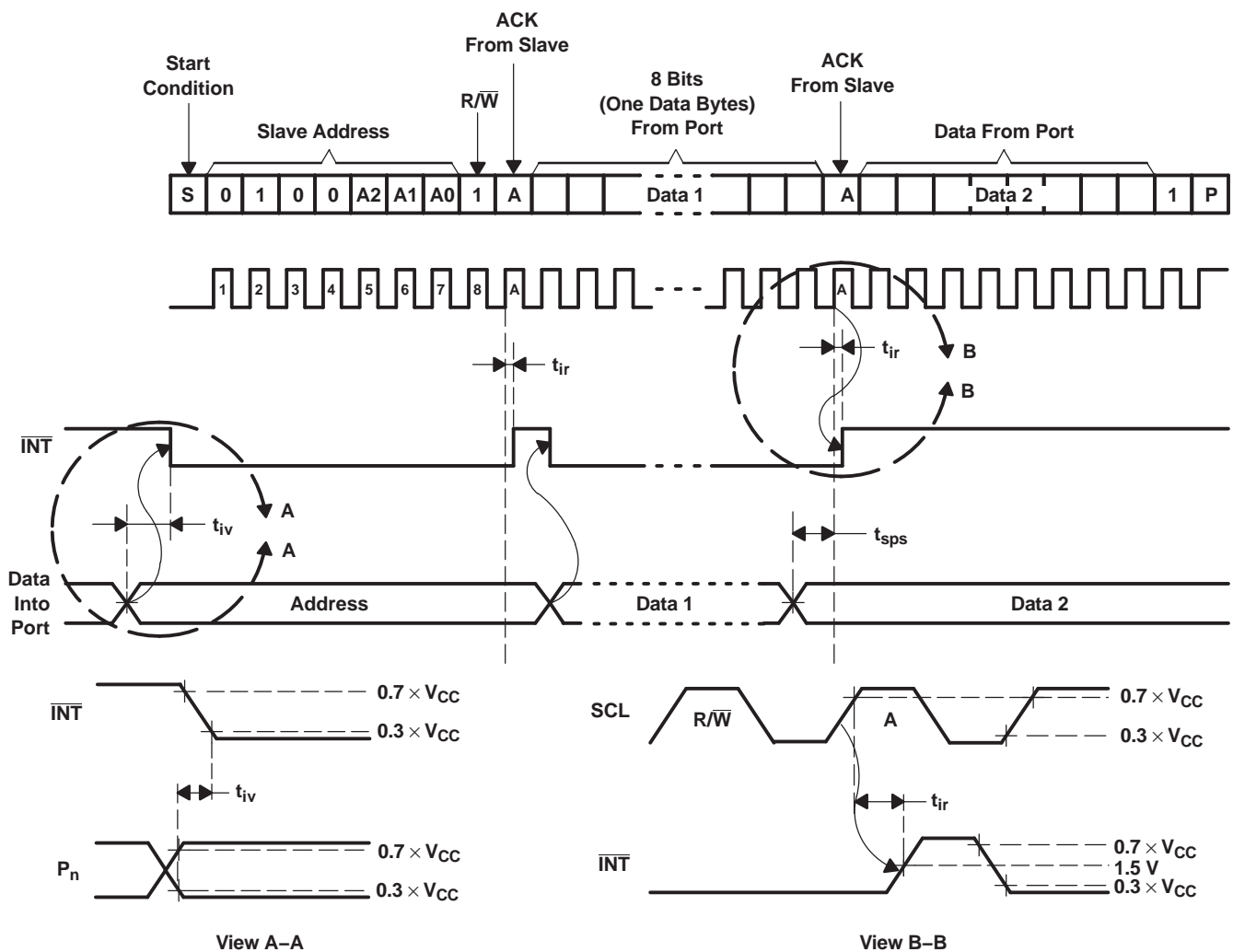
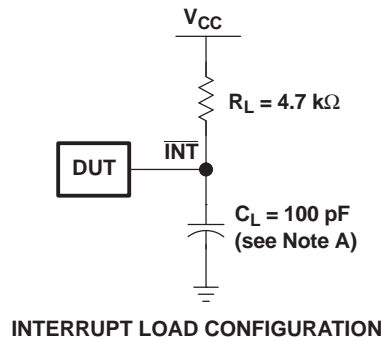
VOLTAGE WAVEFORMS

| BYTE | DESCRIPTION              |
|------|--------------------------|
| 1    | I <sup>2</sup> C address |
| 2, 3 | P-port data              |

- A.  $C_L$  includes probe and jig capacitance.
- B. All inputs are supplied by generators having the following characteristics:  $PRR \leq 10$  MHz,  $Z_O = 50 \Omega$ ,  $t_r/t_f \leq 30$  ns.
- C. All parameters and waveforms are not applicable to all devices.

Figure 10. I<sup>2</sup>C Interface Load Circuit and Voltage Waveforms

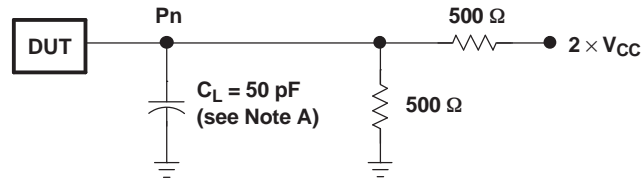
PARAMETER MEASUREMENT INFORMATION (continued)



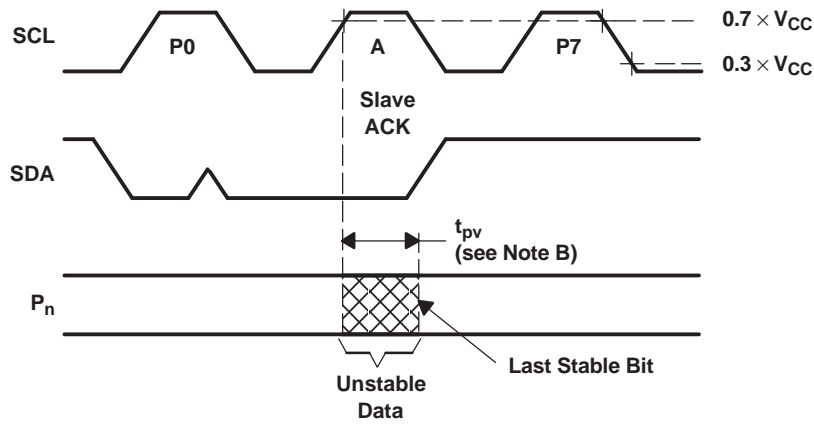
- A.  $C_L$  includes probe and jig capacitance.
- B. All inputs are supplied by generators having the following characteristics:  $PRR \leq 10$  MHz,  $Z_O = 50 \Omega$ ,  $t_r/t_f \leq 30$  ns.
- C. All parameters and waveforms are not applicable to all devices.

Figure 11. Interrupt Load Circuit and Voltage Waveforms

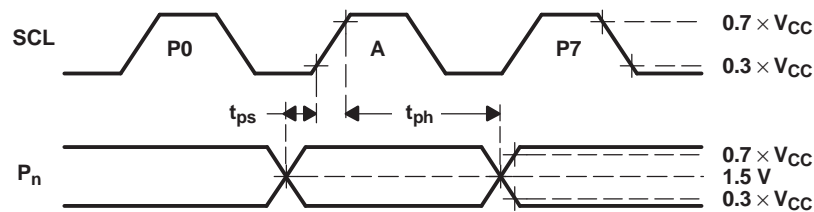
PARAMETER MEASUREMENT INFORMATION (continued)



P-PORT LOAD CONFIGURATION



WRITE MODE ( $R/\bar{W} = 0$ )

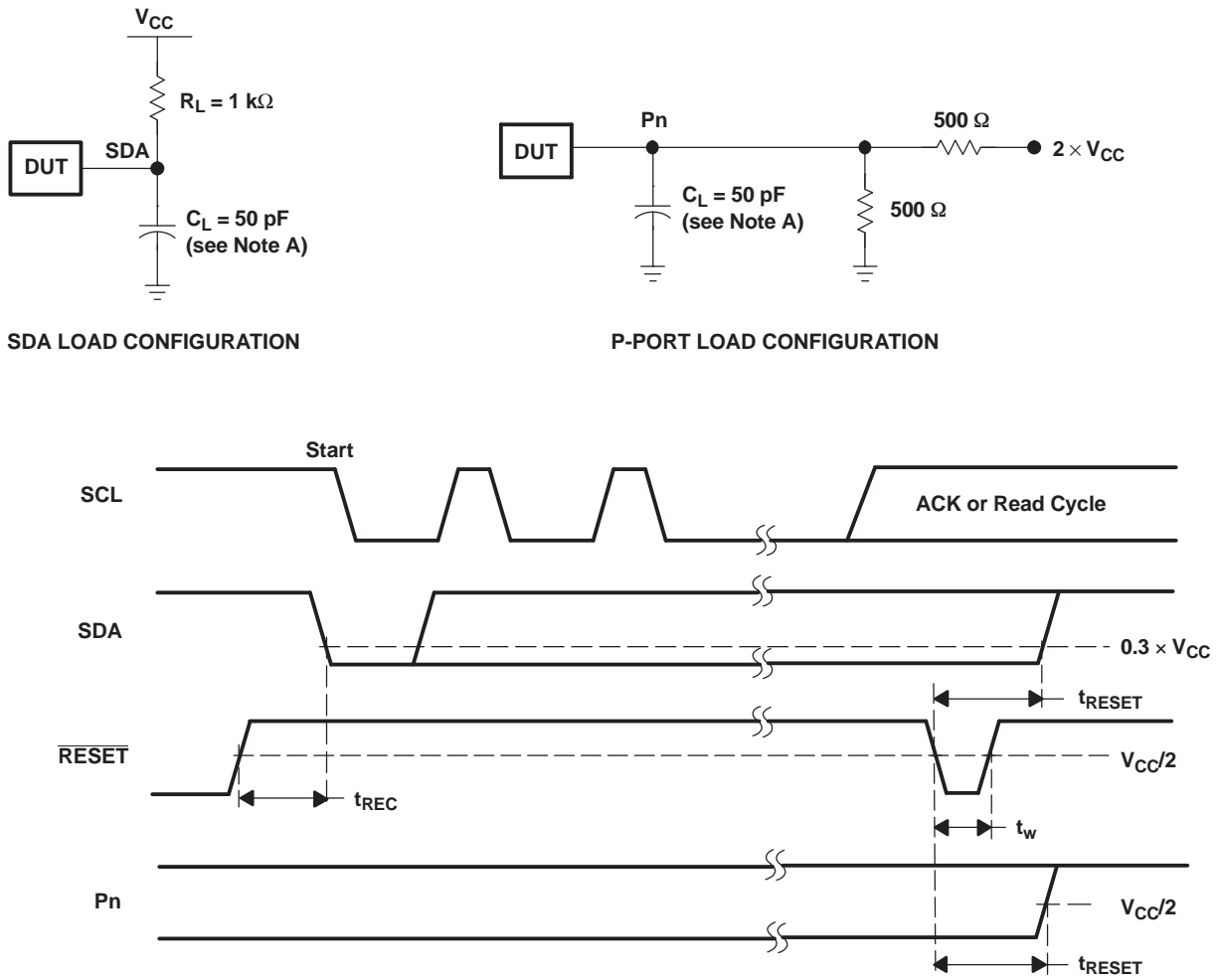


READ MODE ( $R/\bar{W} = 1$ )

- A.  $C_L$  includes probe and jig capacitance.
- B.  $t_{pv}$  is measured from  $0.7 \times V_{CC}$  on SCL to 50% I/O pin output.
- C. All inputs are supplied by generators having the following characteristics:  $PRR \leq 10$  MHz,  $Z_O = 50 \Omega$ ,  $t_r/t_f \leq 30$  ns.
- D. The outputs are measured one at a time, with one transition per measurement.
- E. All parameters and waveforms are not applicable to all devices.

Figure 12. P-Port Load Circuit and Voltage Waveforms

PARAMETER MEASUREMENT INFORMATION (continued)

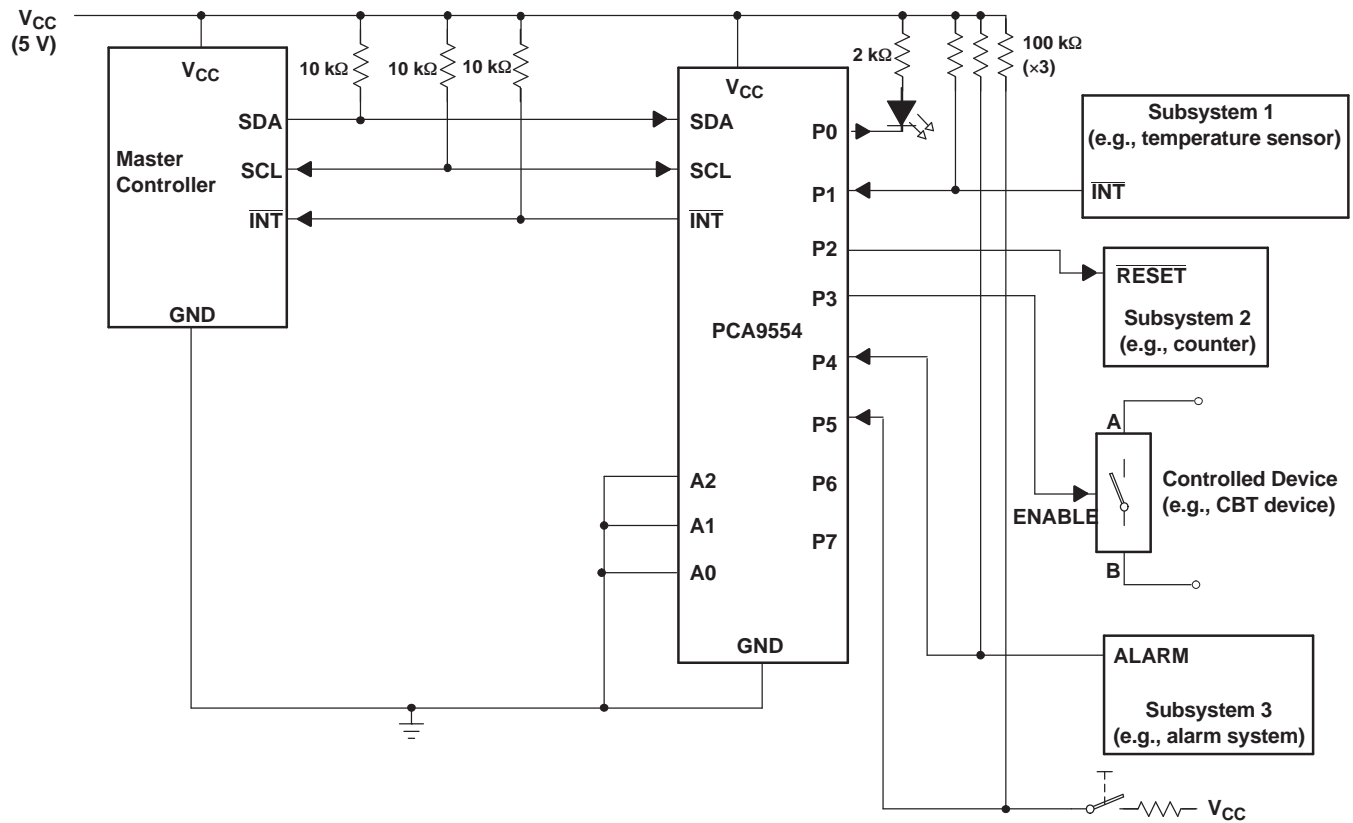


- A.  $C_L$  includes probe and jig capacitance.
- B. All inputs are supplied by generators having the following characteristics:  $PRR \leq 10$  MHz,  $Z_O = 50 \Omega$ ,  $t_r/t_f \leq 30$  ns.
- C. All parameters and waveforms are not applicable to all devices.

Figure 13. Reset Load Circuits and Voltage Waveforms

## APPLICATION INFORMATION

Figure 14 shows an application in which the PCA9554 can be used.



- Device address is configured as 0100000 for this example.
- P0, P2, and P3 are configured as outputs.
- P1, P4, and P5 are configured as inputs.
- P6 and P7 are not used and have internal 100-kΩ pullup resistors to protect them from floating.

**Figure 14. Typical Application**

### Minimizing $I_{CC}$ When I/Os Control LEDs

When the I/Os are used to control LEDs, they are normally connected to  $V_{CC}$  through a resistor as shown in Figure 14. The LED acts as a diode, so when the LED is off, the I/O  $V_{IN}$  is about 1.2 V less than  $V_{CC}$ .  $\Delta I_{CC}$  in *Electrical Characteristics* shows how  $I_{CC}$  increases as  $V_{IN}$  becomes lower than  $V_{CC}$ .

For battery-powered applications, it is essential that the voltage of I/O pins is greater than or equal to  $V_{CC}$  when the LED is off to minimize current consumption. Figure 15 shows a high-value resistor in parallel with the LED. Figure 16 shows  $V_{CC}$  less than the LED supply voltage by at least 1.2 V. Both of these methods maintain the I/O  $V_{IN}$  at or above  $V_{CC}$  and prevent additional supply-current consumption when the LED is off.

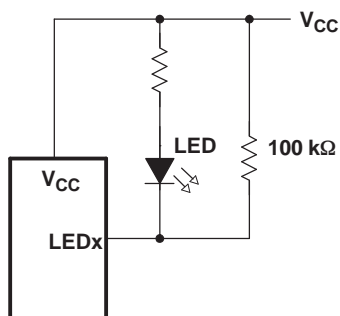


Figure 15. High-Value Resistor in Parallel With LED

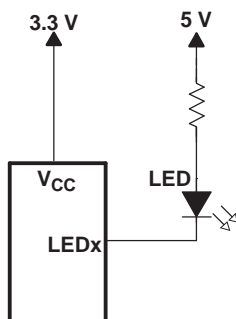


Figure 16. Device Supplied by a Lower Voltage

**PACKAGING INFORMATION**

| Orderable Device | Status <sup>(1)</sup> | Package Type | Package Drawing | Pins | Package Qty | Eco Plan <sup>(2)</sup> | Lead/Ball Finish | MSL Peak Temp <sup>(3)</sup> |
|------------------|-----------------------|--------------|-----------------|------|-------------|-------------------------|------------------|------------------------------|
| PCA9554DB        | ACTIVE                | SSOP         | DB              | 16   | 80          | Green (RoHS & no Sb/Br) | CU NIPDAU        | Level-1-260C-UNLIM           |
| PCA9554DBG4      | ACTIVE                | SSOP         | DB              | 16   | 80          | Green (RoHS & no Sb/Br) | CU NIPDAU        | Level-1-260C-UNLIM           |
| PCA9554DBR       | ACTIVE                | SSOP         | DB              | 16   | 2000        | Green (RoHS & no Sb/Br) | CU NIPDAU        | Level-1-260C-UNLIM           |
| PCA9554DBG4      | ACTIVE                | SSOP         | DB              | 16   | 2000        | Green (RoHS & no Sb/Br) | CU NIPDAU        | Level-1-260C-UNLIM           |
| PCA9554DGVR      | ACTIVE                | TVSOP        | DGV             | 16   | 2000        | Green (RoHS & no Sb/Br) | CU NIPDAU        | Level-1-260C-UNLIM           |
| PCA9554DGVRG4    | ACTIVE                | TVSOP        | DGV             | 16   | 2000        | Green (RoHS & no Sb/Br) | CU NIPDAU        | Level-1-260C-UNLIM           |
| PCA9554DW        | ACTIVE                | SOIC         | DW              | 16   | 40          | Green (RoHS & no Sb/Br) | CU NIPDAU        | Level-1-260C-UNLIM           |
| PCA9554DWG4      | ACTIVE                | SOIC         | DW              | 16   | 40          | Green (RoHS & no Sb/Br) | CU NIPDAU        | Level-1-260C-UNLIM           |
| PCA9554DWR       | ACTIVE                | SOIC         | DW              | 16   | 2000        | Green (RoHS & no Sb/Br) | CU NIPDAU        | Level-1-260C-UNLIM           |
| PCA9554DWRG4     | ACTIVE                | SOIC         | DW              | 16   | 2000        | Green (RoHS & no Sb/Br) | CU NIPDAU        | Level-1-260C-UNLIM           |
| PCA9554PW        | ACTIVE                | TSSOP        | PW              | 16   | 90          | Green (RoHS & no Sb/Br) | CU NIPDAU        | Level-1-260C-UNLIM           |
| PCA9554PWG4      | ACTIVE                | TSSOP        | PW              | 16   | 90          | Green (RoHS & no Sb/Br) | CU NIPDAU        | Level-1-260C-UNLIM           |
| PCA9554PWR       | ACTIVE                | TSSOP        | PW              | 16   | 2000        | Green (RoHS & no Sb/Br) | CU NIPDAU        | Level-1-260C-UNLIM           |
| PCA9554PWRG4     | ACTIVE                | TSSOP        | PW              | 16   | 2000        | Green (RoHS & no Sb/Br) | CU NIPDAU        | Level-1-260C-UNLIM           |

<sup>(1)</sup> The marketing status values are defined as follows:

**ACTIVE:** Product device recommended for new designs.

**LIFEBUY:** TI has announced that the device will be discontinued, and a lifetime-buy period is in effect.

**NRND:** Not recommended for new designs. Device is in production to support existing customers, but TI does not recommend using this part in a new design.

**PREVIEW:** Device has been announced but is not in production. Samples may or may not be available.

**OBSOLETE:** TI has discontinued the production of the device.

<sup>(2)</sup> Eco Plan - The planned eco-friendly classification: Pb-Free (RoHS), Pb-Free (RoHS Exempt), or Green (RoHS & no Sb/Br) - please check <http://www.ti.com/productcontent> for the latest availability information and additional product content details.

**TBD:** The Pb-Free/Green conversion plan has not been defined.

**Pb-Free (RoHS):** TI's terms "Lead-Free" or "Pb-Free" mean semiconductor products that are compatible with the current RoHS requirements for all 6 substances, including the requirement that lead not exceed 0.1% by weight in homogeneous materials. Where designed to be soldered at high temperatures, TI Pb-Free products are suitable for use in specified lead-free processes.

**Pb-Free (RoHS Exempt):** This component has a RoHS exemption for either 1) lead-based flip-chip solder bumps used between the die and package, or 2) lead-based die adhesive used between the die and leadframe. The component is otherwise considered Pb-Free (RoHS compatible) as defined above.

**Green (RoHS & no Sb/Br):** TI defines "Green" to mean Pb-Free (RoHS compatible), and free of Bromine (Br) and Antimony (Sb) based flame retardants (Br or Sb do not exceed 0.1% by weight in homogeneous material)

<sup>(3)</sup> MSL, Peak Temp. -- The Moisture Sensitivity Level rating according to the JEDEC industry standard classifications, and peak solder temperature.

**Important Information and Disclaimer:**The information provided on this page represents TI's knowledge and belief as of the date that it is



provided. TI bases its knowledge and belief on information provided by third parties, and makes no representation or warranty as to the accuracy of such information. Efforts are underway to better integrate information from third parties. TI has taken and continues to take reasonable steps to provide representative and accurate information but may not have conducted destructive testing or chemical analysis on incoming materials and chemicals. TI and TI suppliers consider certain information to be proprietary, and thus CAS numbers and other limited information may not be available for release.

In no event shall TI's liability arising out of such information exceed the total purchase price of the TI part(s) at issue in this document sold by TI to Customer on an annual basis.

**TAPE AND REEL INFORMATION**

**QUADRANT ASSIGNMENTS FOR PIN 1 ORIENTATION IN TAPE**


\*All dimensions are nominal

| Device      | Package Type | Package Drawing | Pins | SPQ  | Reel Diameter (mm) | Reel Width W1 (mm) | A0 (mm) | B0 (mm) | K0 (mm) | P1 (mm) | W (mm) | Pin1 Quadrant |
|-------------|--------------|-----------------|------|------|--------------------|--------------------|---------|---------|---------|---------|--------|---------------|
| PCA9554DBR  | SSOP         | DB              | 16   | 2000 | 330.0              | 16.4               | 8.2     | 6.6     | 2.5     | 12.0    | 16.0   | Q1            |
| PCA9554DGVR | TVSOP        | DGV             | 16   | 2000 | 330.0              | 12.4               | 6.8     | 4.0     | 1.6     | 8.0     | 12.0   | Q1            |
| PCA9554DWR  | SOIC         | DW              | 16   | 2000 | 330.0              | 16.4               | 10.75   | 10.7    | 2.7     | 12.0    | 16.0   | Q1            |
| PCA9554PWR  | TSSOP        | PW              | 16   | 2000 | 330.0              | 12.4               | 6.9     | 5.6     | 1.6     | 8.0     | 12.0   | Q1            |

## TAPE AND REEL BOX DIMENSIONS



\*All dimensions are nominal

| Device      | Package Type | Package Drawing | Pins | SPQ  | Length (mm) | Width (mm) | Height (mm) |
|-------------|--------------|-----------------|------|------|-------------|------------|-------------|
| PCA9554DBR  | SSOP         | DB              | 16   | 2000 | 346.0       | 346.0      | 33.0        |
| PCA9554DGVR | TVSOP        | DGV             | 16   | 2000 | 346.0       | 346.0      | 29.0        |
| PCA9554DWR  | SOIC         | DW              | 16   | 2000 | 346.0       | 346.0      | 33.0        |
| PCA9554PWR  | TSSOP        | PW              | 16   | 2000 | 346.0       | 346.0      | 29.0        |

PW (R-PDSO-G16)

PLASTIC SMALL OUTLINE

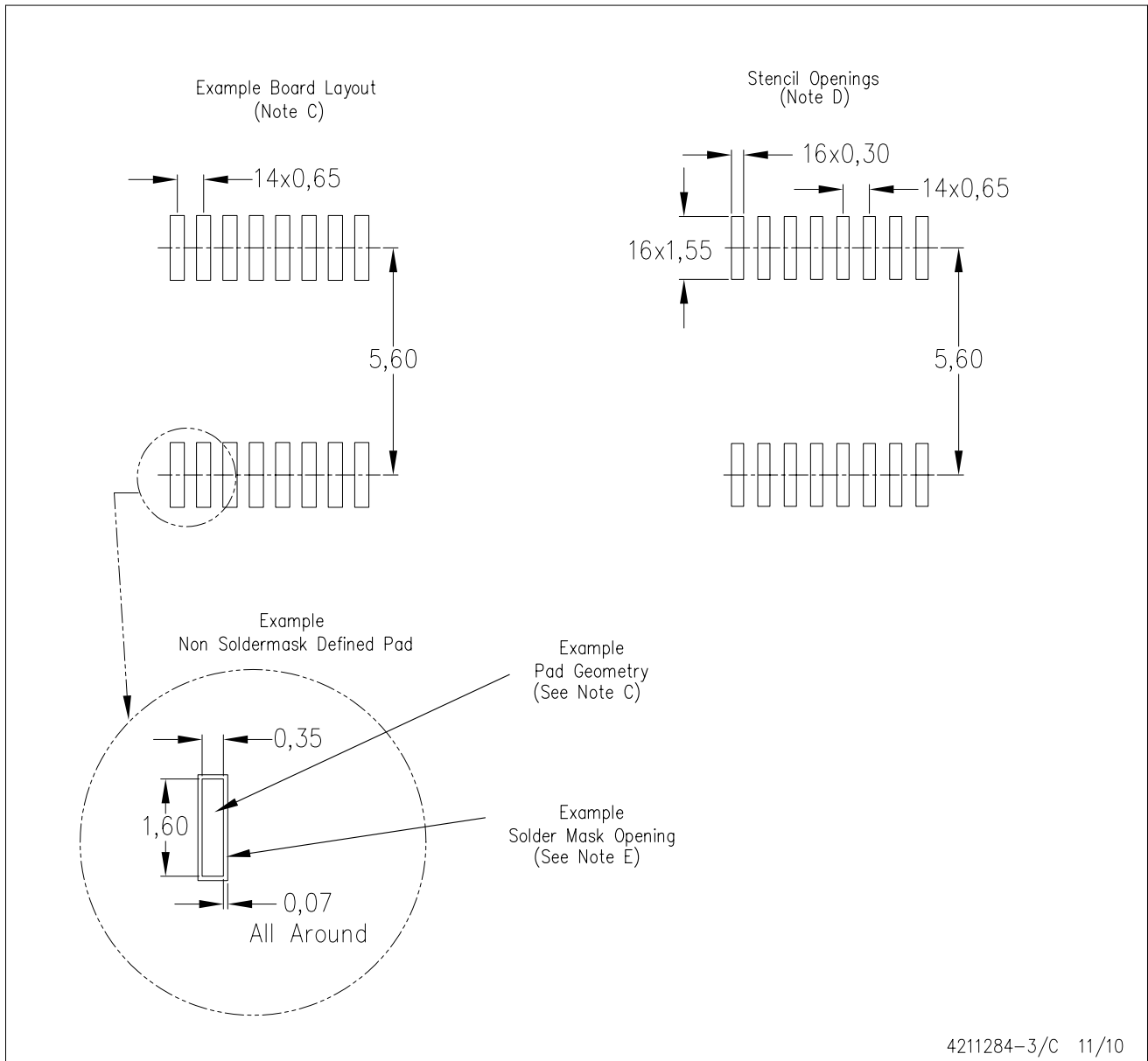


4040064-4/G 02/11

- NOTES:
- A. All linear dimensions are in millimeters. Dimensioning and tolerancing per ASME Y14.5M-1994.
  - B. This drawing is subject to change without notice.
  - C. Body length does not include mold flash, protrusions, or gate burrs. Mold flash, protrusions, or gate burrs shall not exceed 0,15 each side.
  - D. Body width does not include interlead flash. Interlead flash shall not exceed 0,25 each side.
  - E. Falls within JEDEC MO-153

PW (R-PDSO-G16)

PLASTIC SMALL OUTLINE



- NOTES:
- All linear dimensions are in millimeters.
  - This drawing is subject to change without notice.
  - Publication IPC-7351 is recommended for alternate designs.
  - Laser cutting apertures with trapezoidal walls and also rounding corners will offer better paste release. Customers should contact their board assembly site for stencil design recommendations. Refer to IPC-7525 for other stencil recommendations.
  - Customers should contact their board fabrication site for solder mask tolerances between and around signal pads.

DW (R-PDSO-G16)

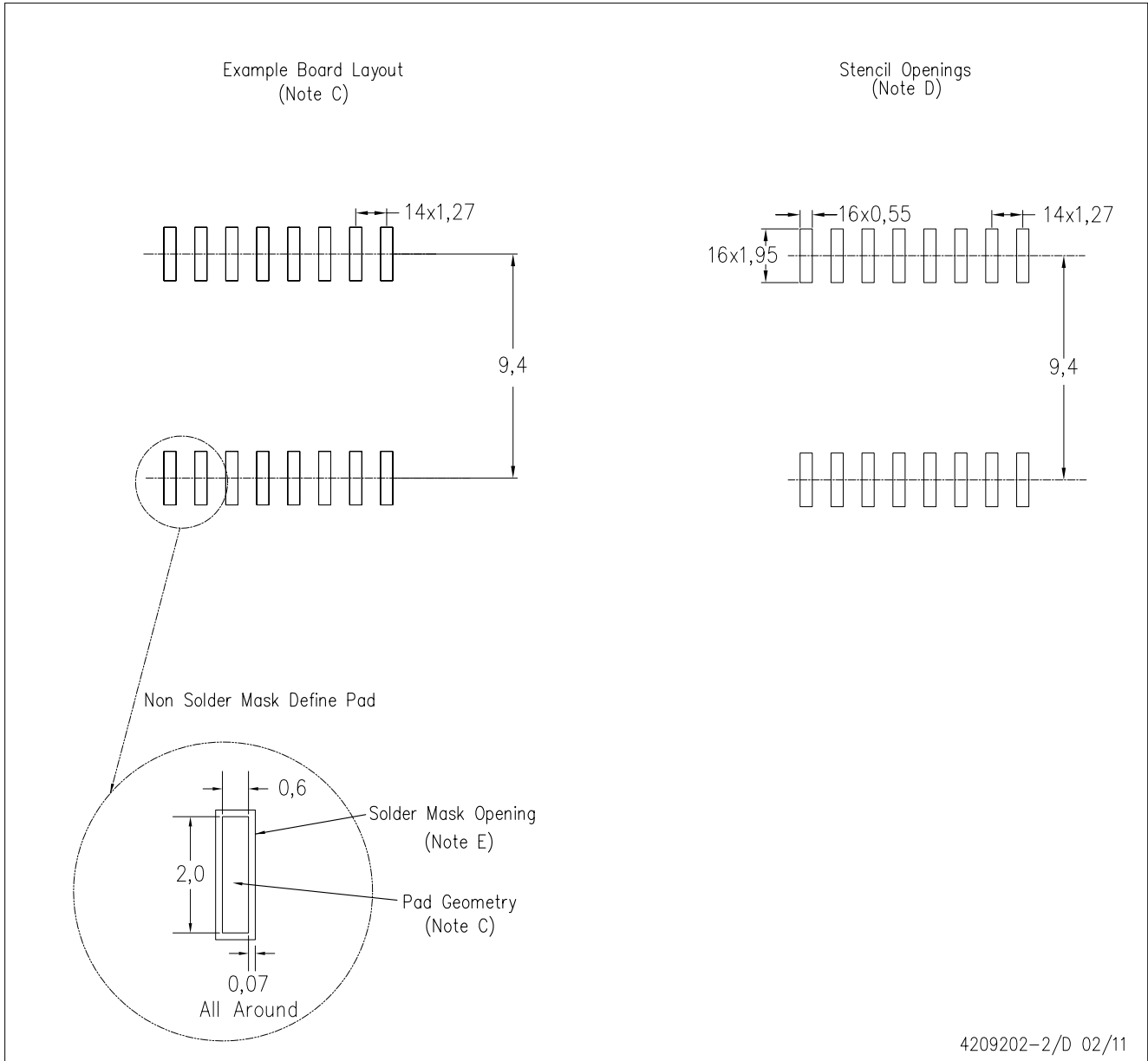
PLASTIC SMALL OUTLINE



- NOTES:
- A. All linear dimensions are in inches (millimeters). Dimensioning and tolerancing per ASME Y14.5M-1994.
  - B. This drawing is subject to change without notice.
  - C. Body dimensions do not include mold flash or protrusion not to exceed 0.006 (0,15).
  - D. Falls within JEDEC MS-013 variation AA.

DW (R-PDSO-G16)

PLASTIC SMALL OUTLINE



4209202-2/D 02/11

- NOTES:
- A. All linear dimensions are in millimeters.
  - B. This drawing is subject to change without notice.
  - C. Refer to IPC7351 for alternate board design.
  - D. Laser cutting apertures with trapezoidal walls and also rounding corners will offer better paste release. Customers should contact their board assembly site for stencil design recommendations. Refer to IPC-7525
  - E. Customers should contact their board fabrication site for solder mask tolerances between and around signal pads.

DB (R-PDSO-G\*\*)

PLASTIC SMALL-OUTLINE

28 PINS SHOWN



- NOTES: A. All linear dimensions are in millimeters.  
 B. This drawing is subject to change without notice.  
 C. Body dimensions do not include mold flash or protrusion not to exceed 0,15.  
 D. Falls within JEDEC MO-150



## IMPORTANT NOTICE

Texas Instruments Incorporated and its subsidiaries (TI) reserve the right to make corrections, modifications, enhancements, improvements, and other changes to its products and services at any time and to discontinue any product or service without notice. Customers should obtain the latest relevant information before placing orders and should verify that such information is current and complete. All products are sold subject to TI's terms and conditions of sale supplied at the time of order acknowledgment.

TI warrants performance of its hardware products to the specifications applicable at the time of sale in accordance with TI's standard warranty. Testing and other quality control techniques are used to the extent TI deems necessary to support this warranty. Except where mandated by government requirements, testing of all parameters of each product is not necessarily performed.

TI assumes no liability for applications assistance or customer product design. Customers are responsible for their products and applications using TI components. To minimize the risks associated with customer products and applications, customers should provide adequate design and operating safeguards.

TI does not warrant or represent that any license, either express or implied, is granted under any TI patent right, copyright, mask work right, or other TI intellectual property right relating to any combination, machine, or process in which TI products or services are used. Information published by TI regarding third-party products or services does not constitute a license from TI to use such products or services or a warranty or endorsement thereof. Use of such information may require a license from a third party under the patents or other intellectual property of the third party, or a license from TI under the patents or other intellectual property of TI.

Reproduction of TI information in TI data books or data sheets is permissible only if reproduction is without alteration and is accompanied by all associated warranties, conditions, limitations, and notices. Reproduction of this information with alteration is an unfair and deceptive business practice. TI is not responsible or liable for such altered documentation. Information of third parties may be subject to additional restrictions.

Resale of TI products or services with statements different from or beyond the parameters stated by TI for that product or service voids all express and any implied warranties for the associated TI product or service and is an unfair and deceptive business practice. TI is not responsible or liable for any such statements.

TI products are not authorized for use in safety-critical applications (such as life support) where a failure of the TI product would reasonably be expected to cause severe personal injury or death, unless officers of the parties have executed an agreement specifically governing such use. Buyers represent that they have all necessary expertise in the safety and regulatory ramifications of their applications, and acknowledge and agree that they are solely responsible for all legal, regulatory and safety-related requirements concerning their products and any use of TI products in such safety-critical applications, notwithstanding any applications-related information or support that may be provided by TI. Further, Buyers must fully indemnify TI and its representatives against any damages arising out of the use of TI products in such safety-critical applications.

TI products are neither designed nor intended for use in military/aerospace applications or environments unless the TI products are specifically designated by TI as military-grade or "enhanced plastic." Only products designated by TI as military-grade meet military specifications. Buyers acknowledge and agree that any such use of TI products which TI has not designated as military-grade is solely at the Buyer's risk, and that they are solely responsible for compliance with all legal and regulatory requirements in connection with such use.

TI products are neither designed nor intended for use in automotive applications or environments unless the specific TI products are designated by TI as compliant with ISO/TS 16949 requirements. Buyers acknowledge and agree that, if they use any non-designated products in automotive applications, TI will not be responsible for any failure to meet such requirements.

Following are URLs where you can obtain information on other Texas Instruments products and application solutions:

### Products

|                             |  |
|-----------------------------|--|
| Audio                       | <a href="http://www.ti.com/audio">www.ti.com/audio</a>             |
| Amplifiers                  | <a href="http://amplifier.ti.com">amplifier.ti.com</a>             |
| Data Converters             | <a href="http://dataconverter.ti.com">dataconverter.ti.com</a>     |
| DLP® Products               | <a href="http://www.dlp.com">www.dlp.com</a>                       |
| DSP                         | <a href="http://dsp.ti.com">dsp.ti.com</a>                         |
| Clocks and Timers           | <a href="http://www.ti.com/clocks">www.ti.com/clocks</a>           |
| Interface                   | <a href="http://interface.ti.com">interface.ti.com</a>             |
| Logic                       | <a href="http://logic.ti.com">logic.ti.com</a>                     |
| Power Mgmt                  | <a href="http://power.ti.com">power.ti.com</a>                     |
| Microcontrollers            | <a href="http://microcontroller.ti.com">microcontroller.ti.com</a> |
| RFID                        | <a href="http://www.ti-rfid.com">www.ti-rfid.com</a>               |
| RF/IF and ZigBee® Solutions | <a href="http://www.ti.com/lprf">www.ti.com/lprf</a>               |

### Applications

|                               |  |
|-------------------------------|--|
| Communications and Telecom    | <a href="http://www.ti.com/communications">www.ti.com/communications</a>                 |
| Computers and Peripherals     | <a href="http://www.ti.com/computers">www.ti.com/computers</a>                           |
| Consumer Electronics          | <a href="http://www.ti.com/consumer-apps">www.ti.com/consumer-apps</a>                   |
| Energy and Lighting           | <a href="http://www.ti.com/energy">www.ti.com/energy</a>                                 |
| Industrial                    | <a href="http://www.ti.com/industrial">www.ti.com/industrial</a>                         |
| Medical                       | <a href="http://www.ti.com/medical">www.ti.com/medical</a>                               |
| Security                      | <a href="http://www.ti.com/security">www.ti.com/security</a>                             |
| Space, Avionics and Defense   | <a href="http://www.ti.com/space-avionics-defense">www.ti.com/space-avionics-defense</a> |
| Transportation and Automotive | <a href="http://www.ti.com/automotive">www.ti.com/automotive</a>                         |
| Video and Imaging             | <a href="http://www.ti.com/video">www.ti.com/video</a>                                   |
| Wireless                      | <a href="http://www.ti.com/wireless-apps">www.ti.com/wireless-apps</a>                   |

TI E2E Community Home Page

[e2e.ti.com](http://e2e.ti.com)

Mailing Address: Texas Instruments, Post Office Box 655303, Dallas, Texas 75265  
Copyright © 2011, Texas Instruments Incorporated